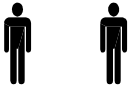
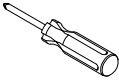
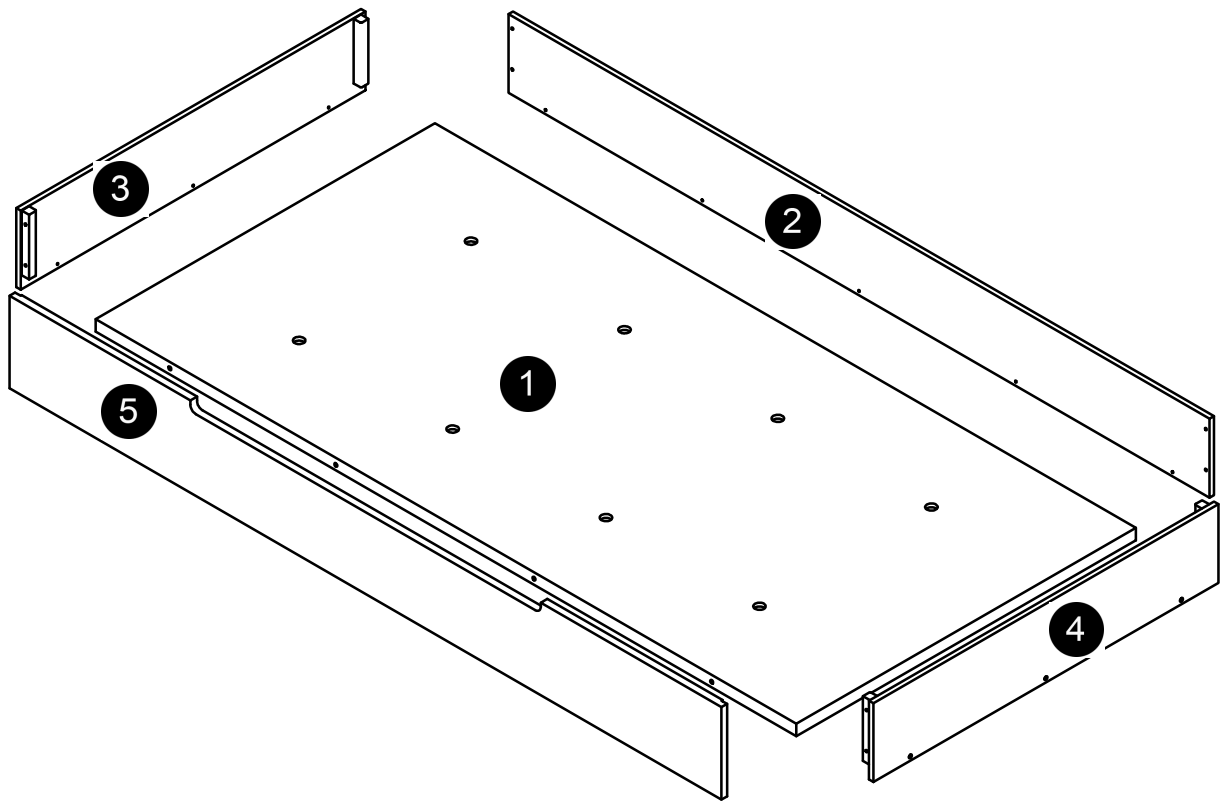
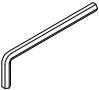

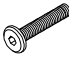

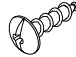
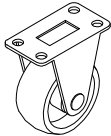
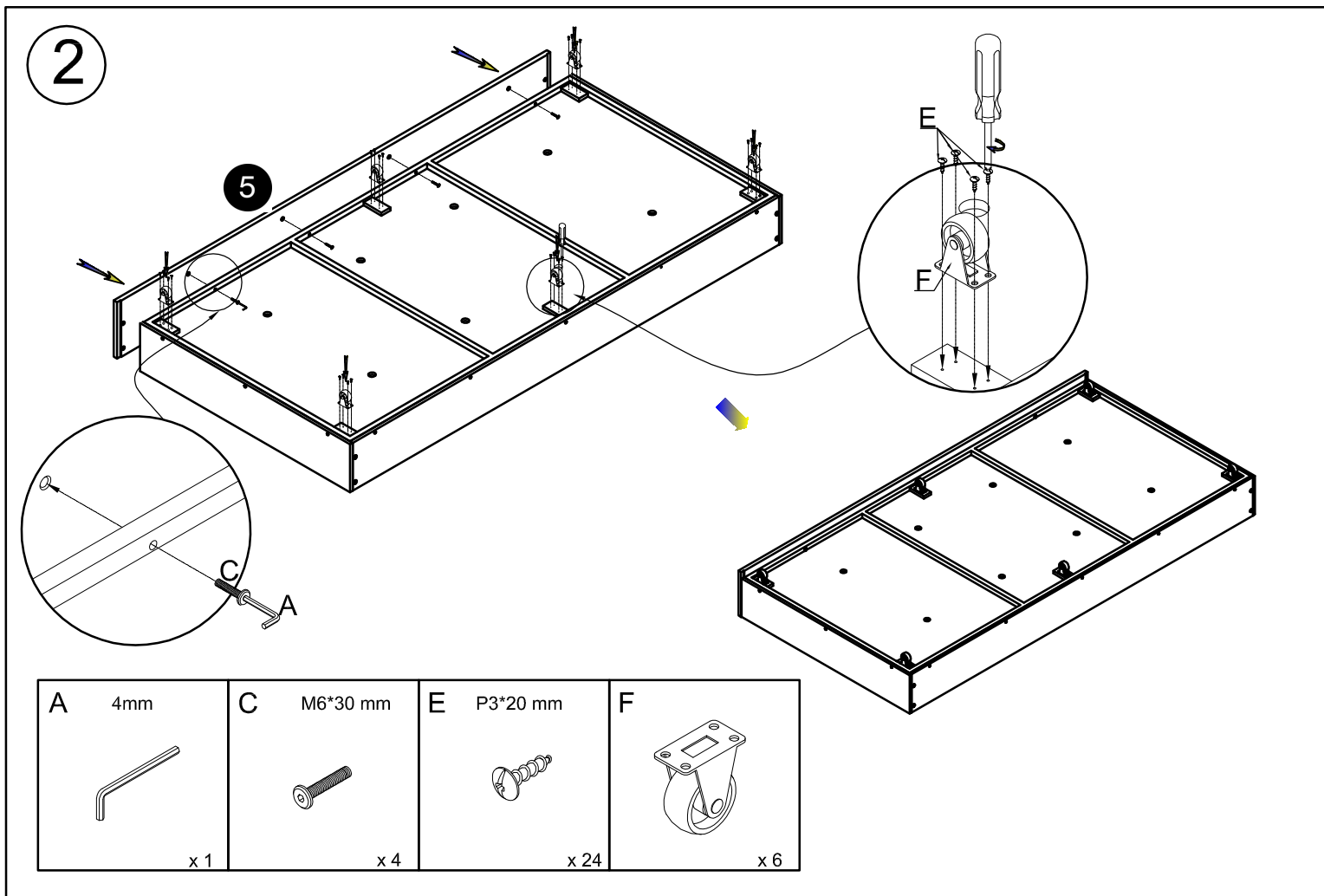
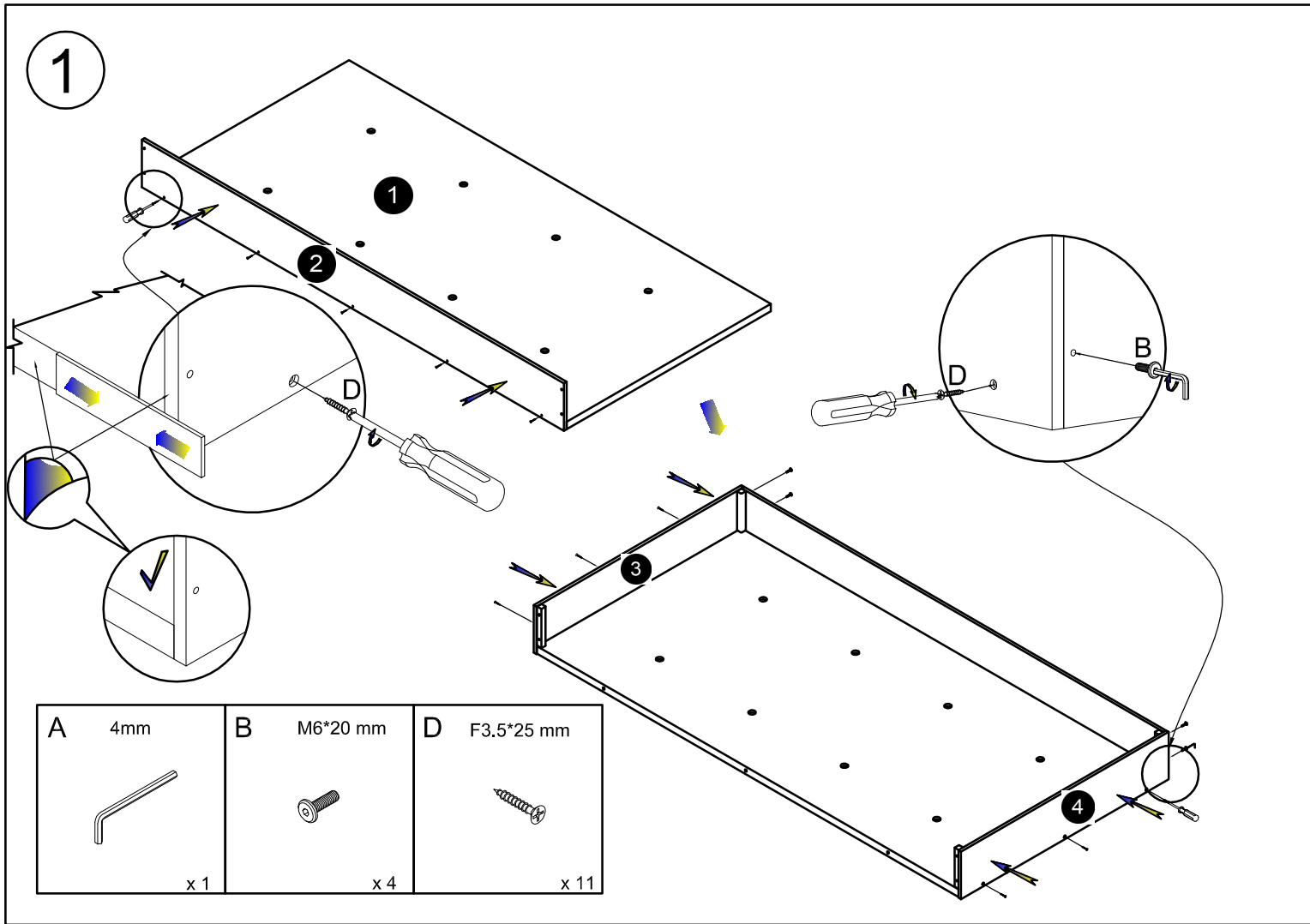
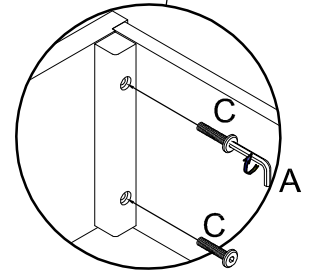
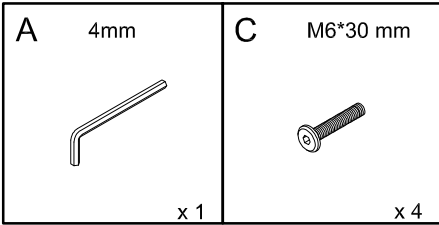
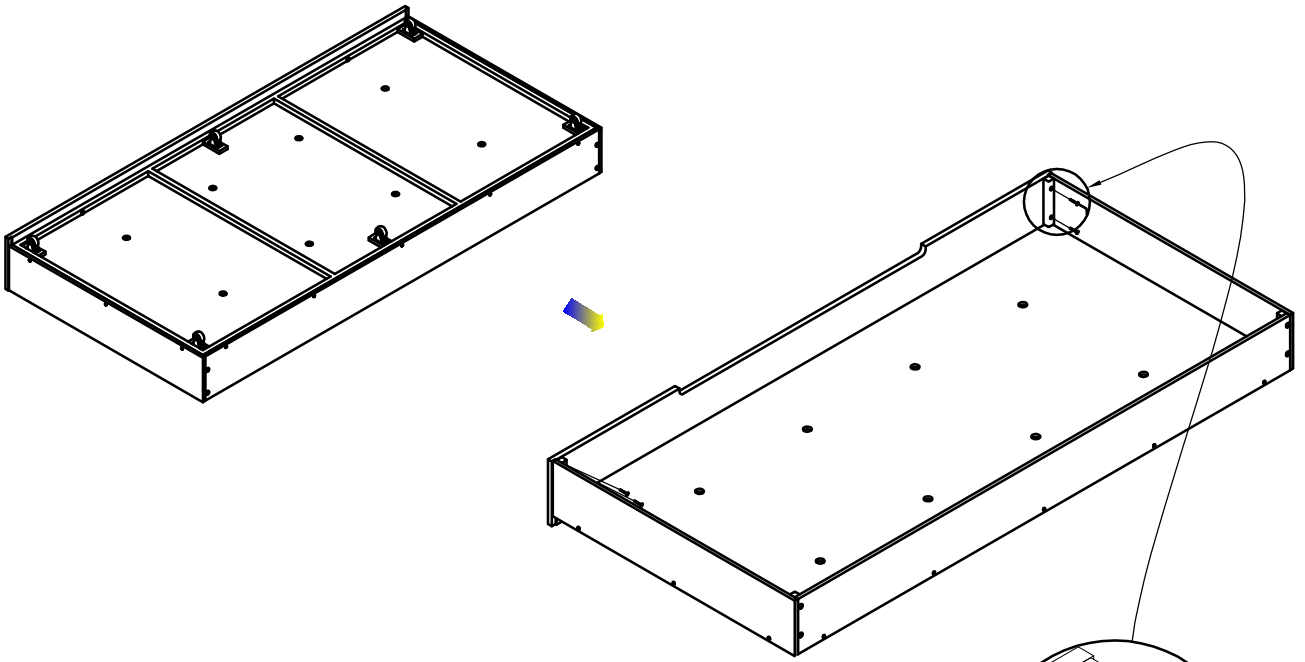
 15 MIN		
--	---	---



A 4mm  x 1	B M6*20 mm  x 4	C M6*30 mm  x 8	D F3.5*25 mm  x 11	E P3*20 mm  x 24	F  x 6
--	---	---	--	--	--



3



4

