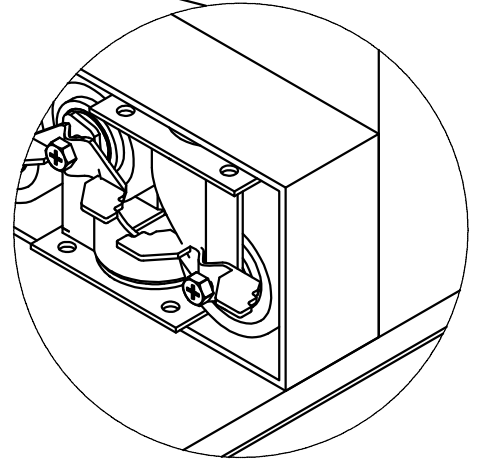
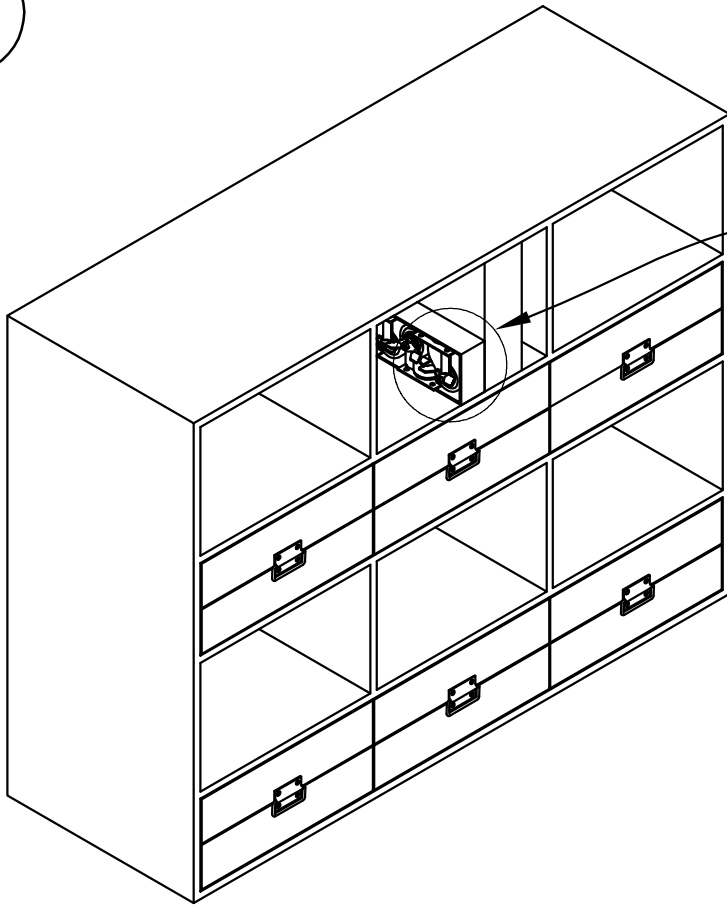
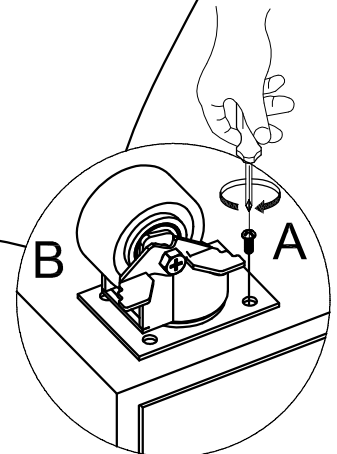
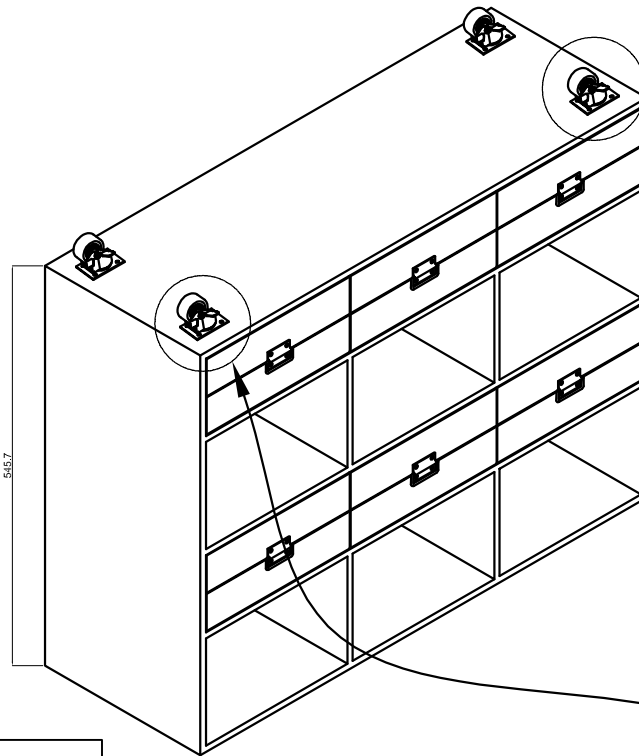


1



2



F M4\*12mm

G



X16

X4