

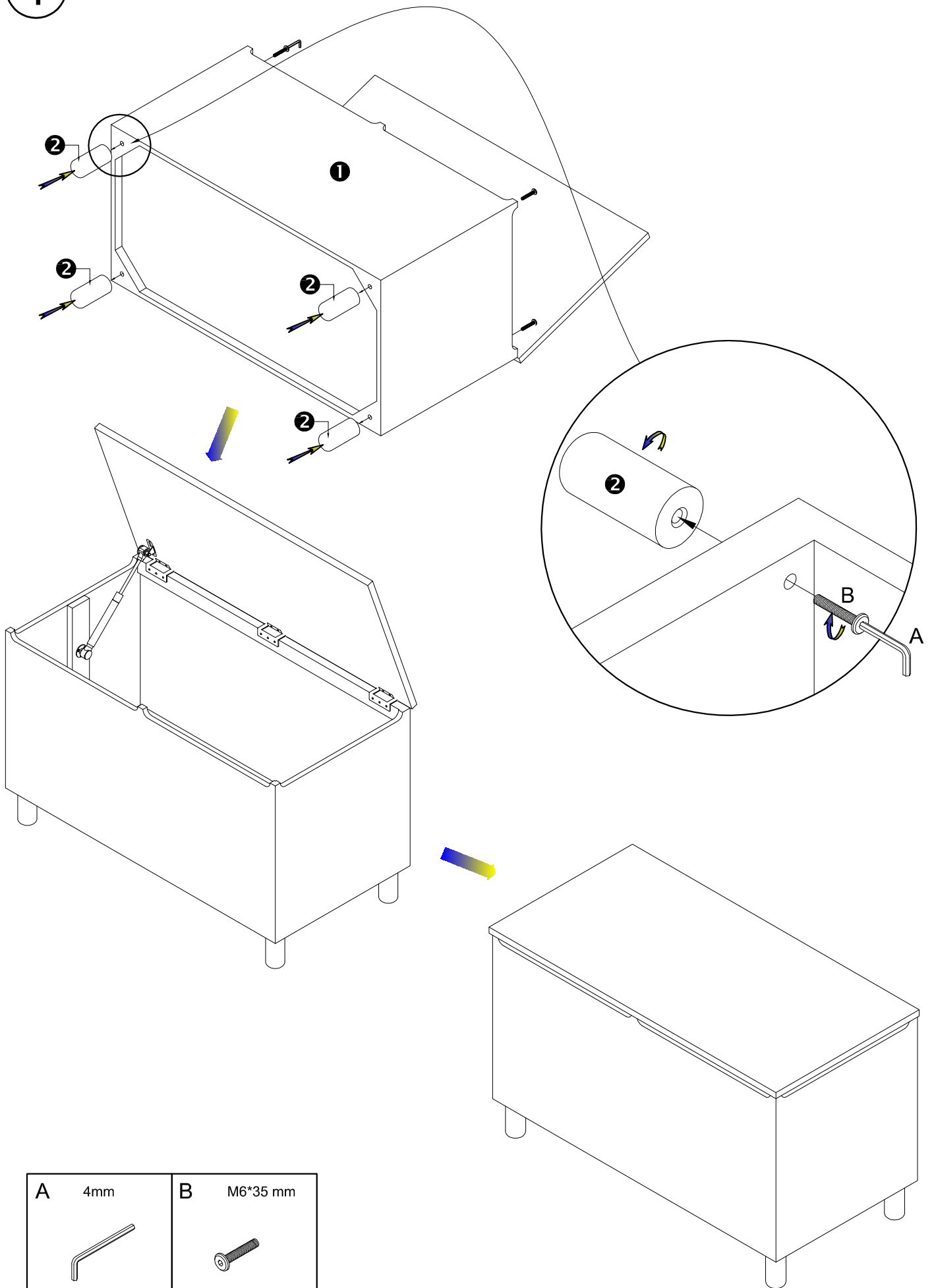
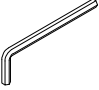



A 4mm  x 1	B M6*35 mm  x 4
--	---

1



A 4mm 	B M6*35 mm  x 4
---	---