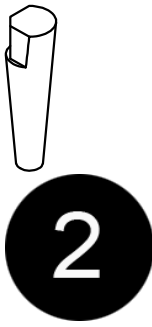
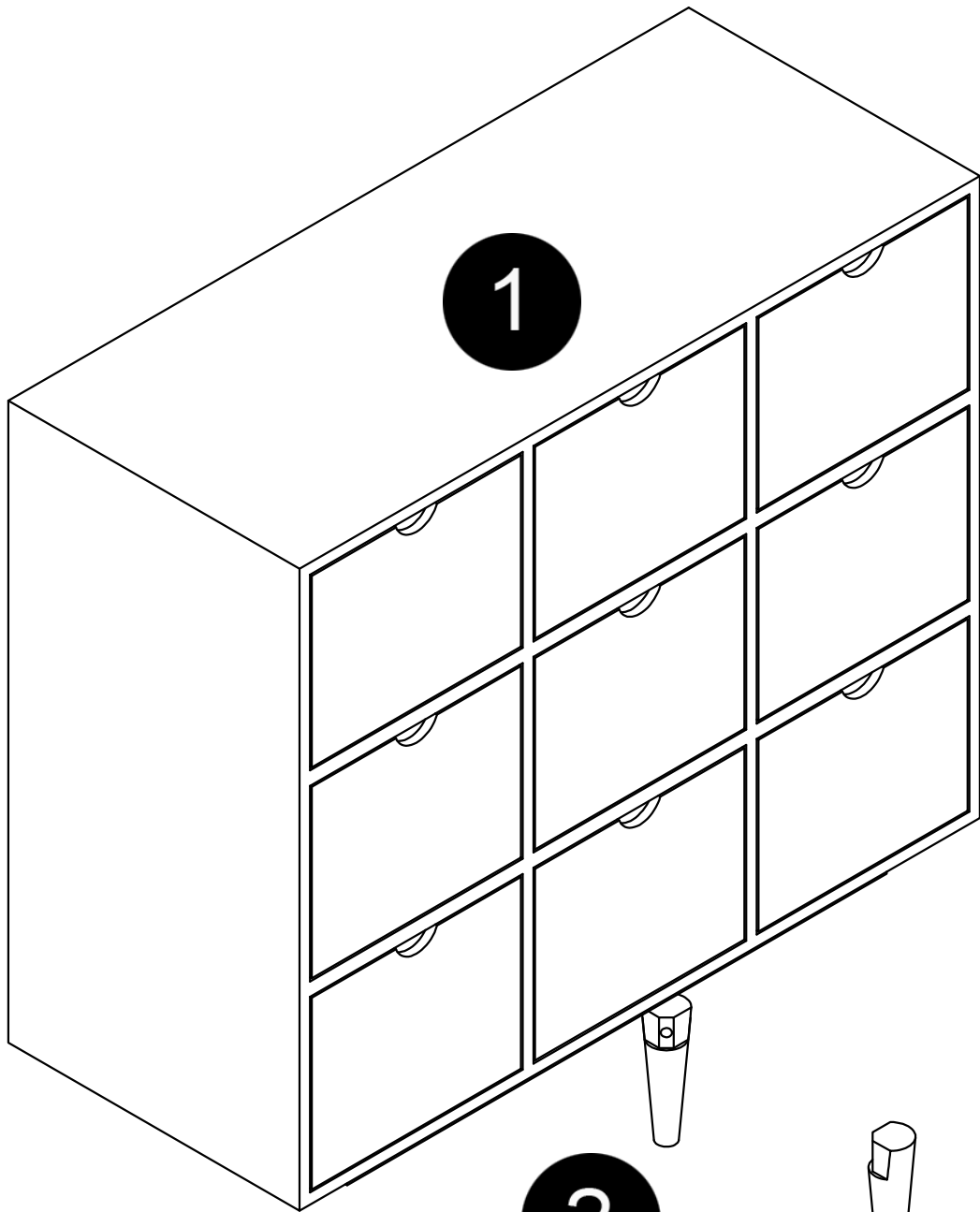

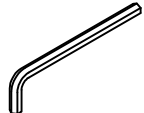
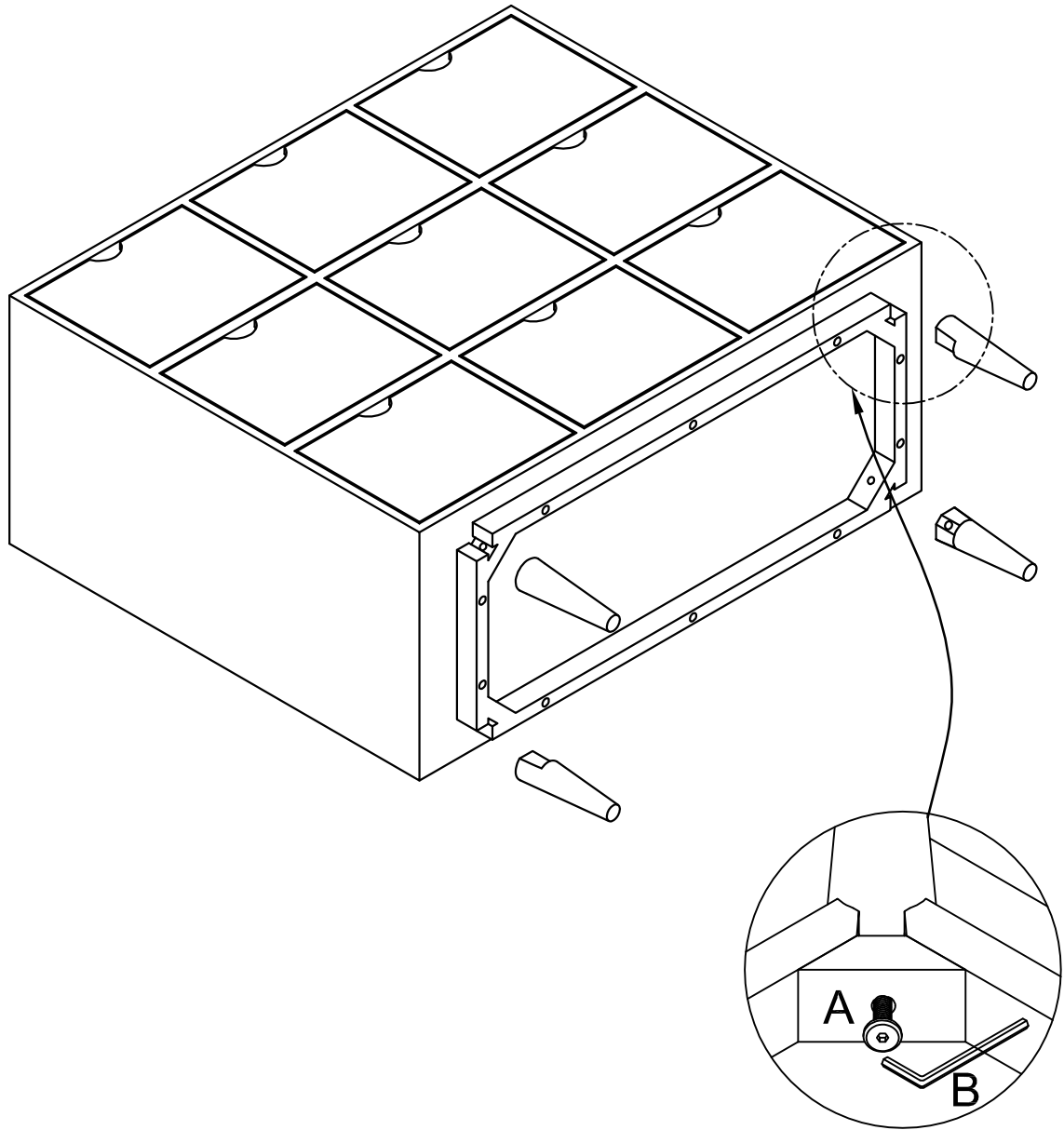


 20 MIN	
--	---



A Ø6*35mm  X4	B 4*100mm  X1
---	---

①



A Ø6*35mm	B
	
X4	4*100 mm X1

②

