
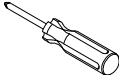
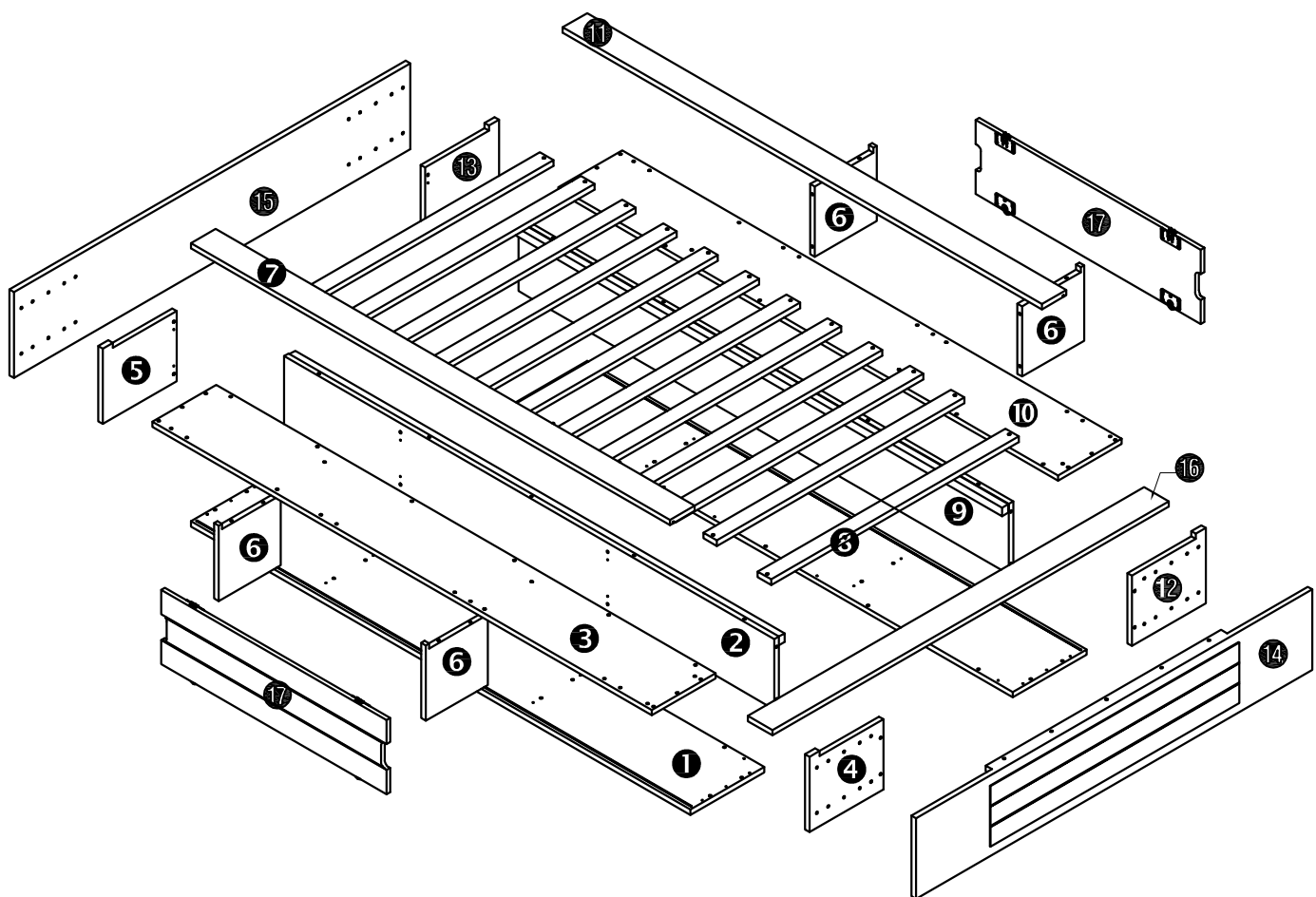


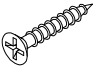
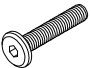

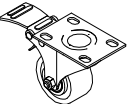
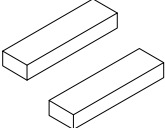
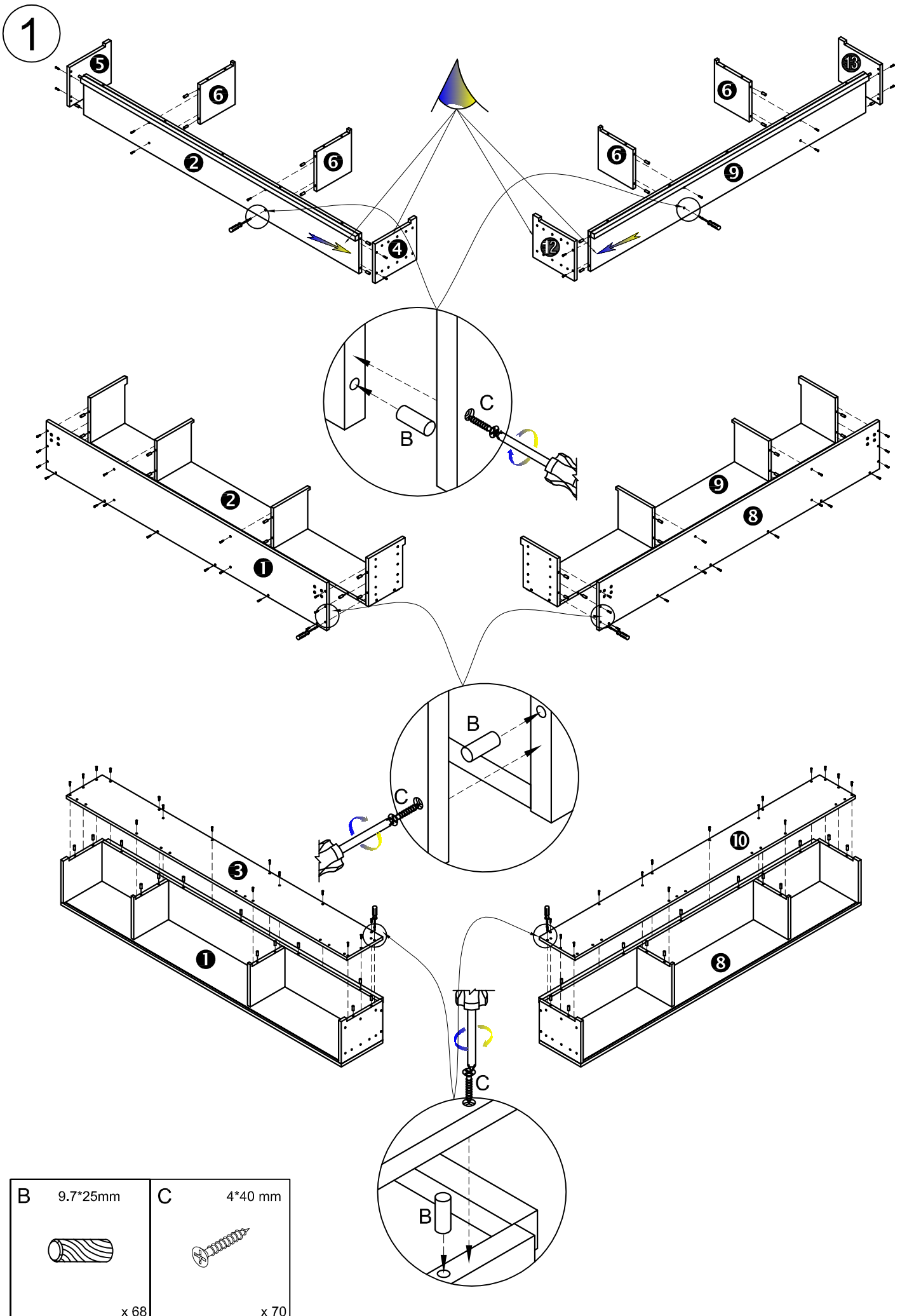

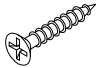
 45 MIN		
--	---	---

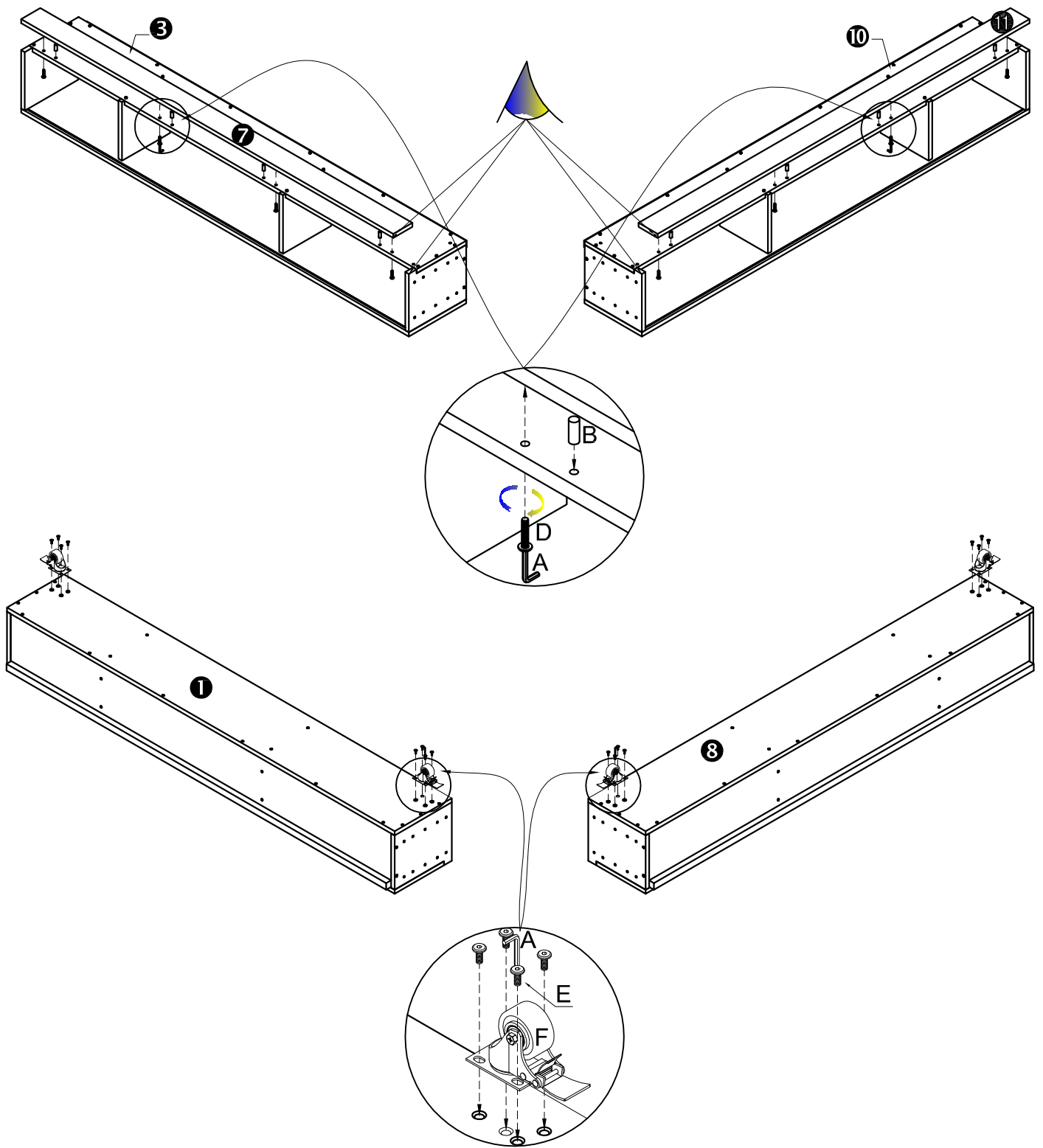




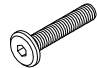
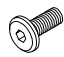
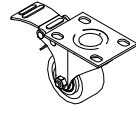
<p>A M4 mm</p>  <p>x 1</p>	<p>B 9.7*25mm</p>  <p>x 100</p>			
<p>C 4*40 mm</p>  <p>x 94</p>	<p>D M6*30 mm</p>  <p>x 39</p>	<p>E M6*15mm</p>  <p>x 16</p>	<p>F</p>  <p>x 4</p>	<p>G 117 mm</p>  <p>x 2</p>



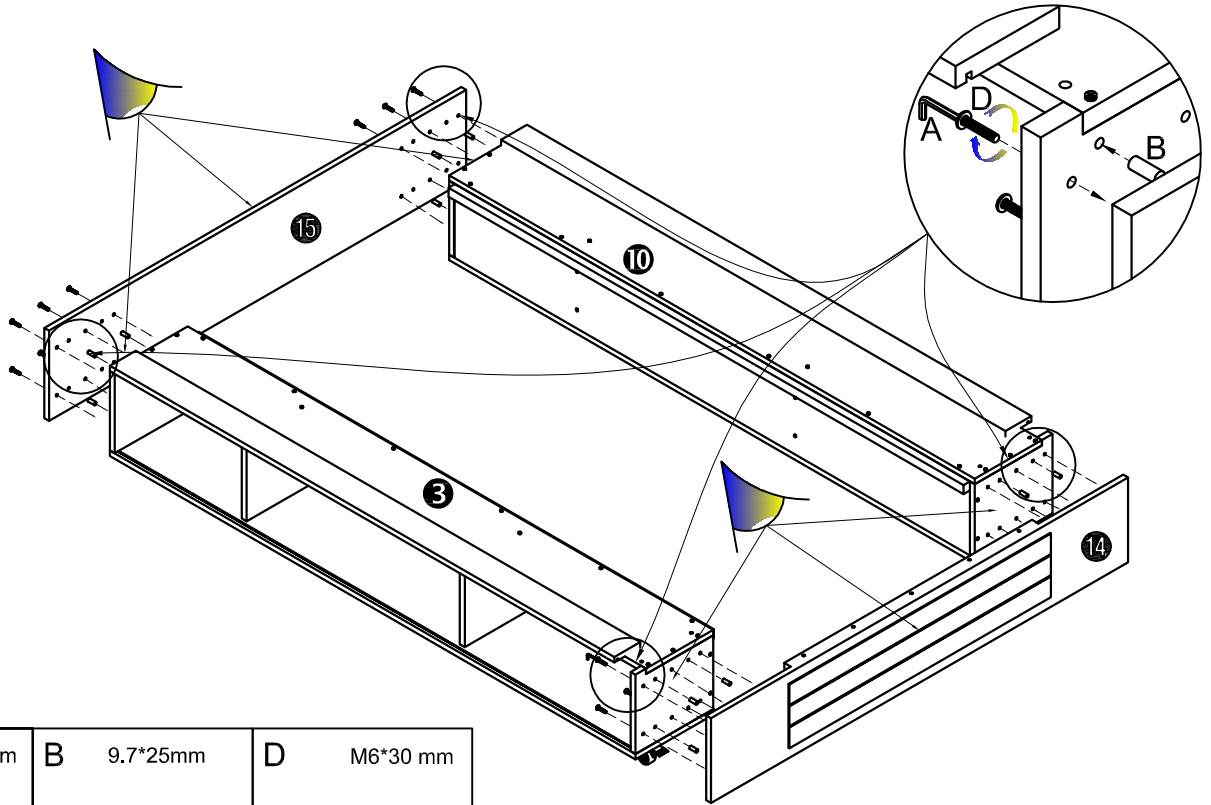
<p>B 9.7*25mm</p>  <p>x 68</p>	<p>C 4*40 mm</p>  <p>x 70</p>
--	---



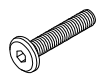
2



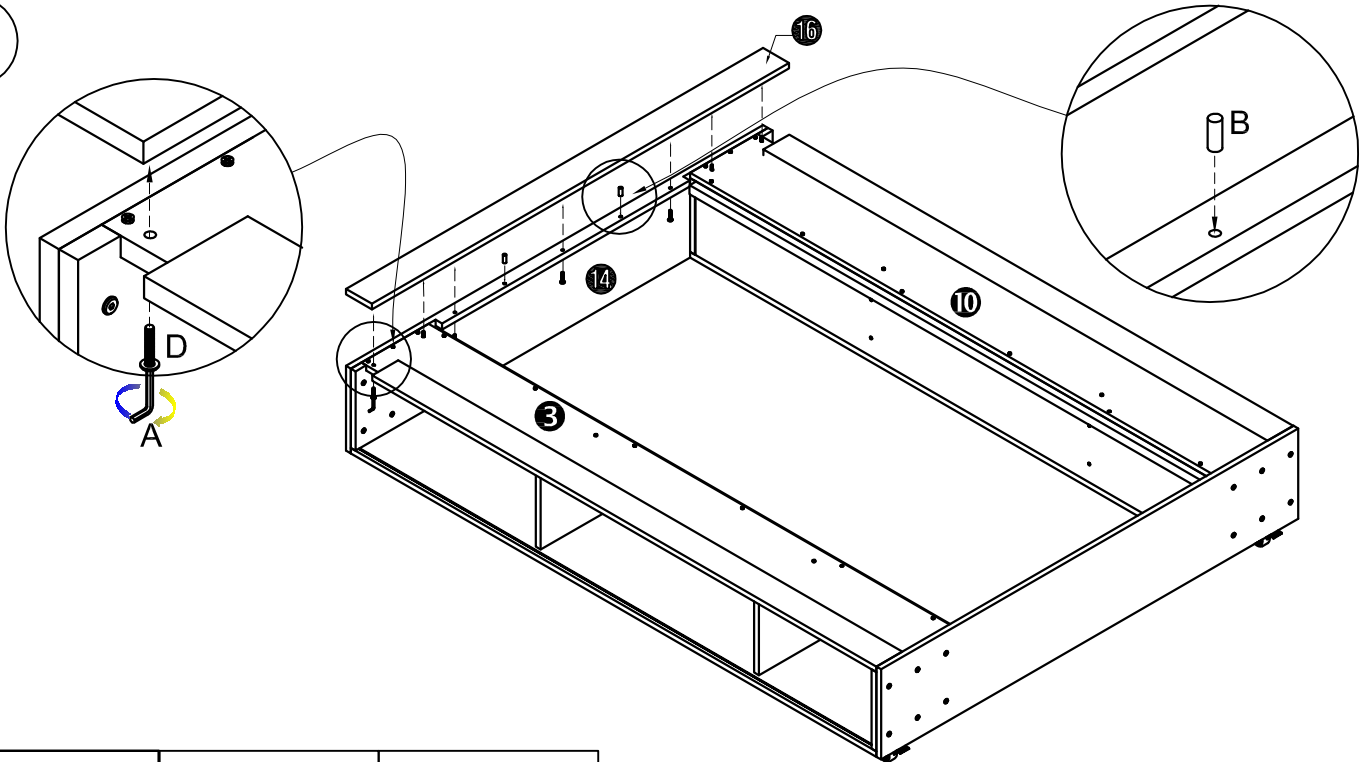
A	M4 mm	B	9.7*25mm	D	M6*30 mm	E	M6*15mm	F	
									
x 1		x 8		x 8		x 16		x 4	




3



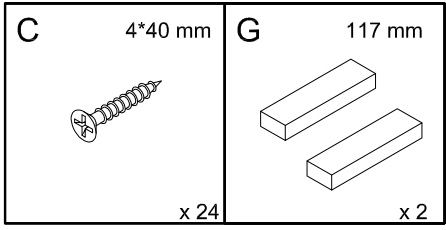
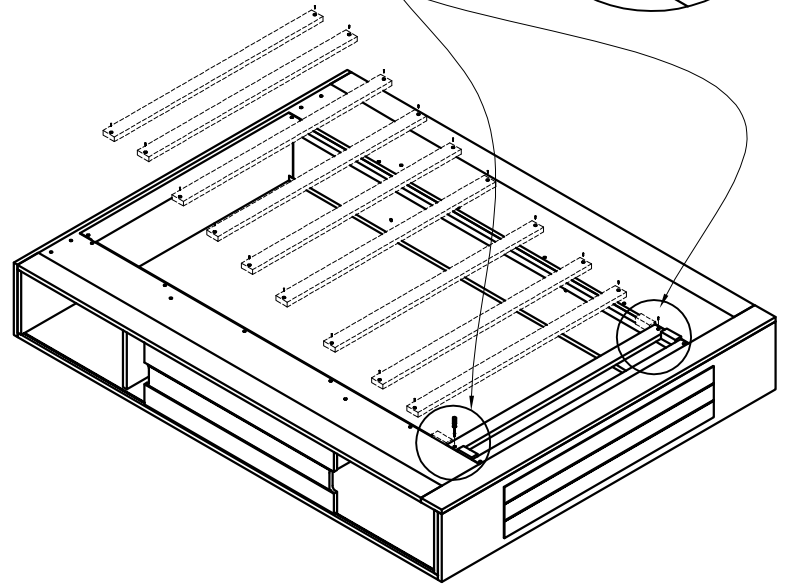
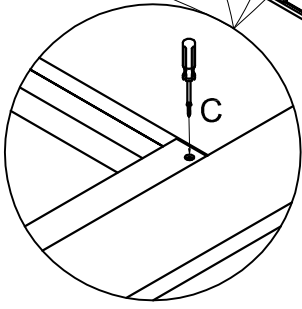
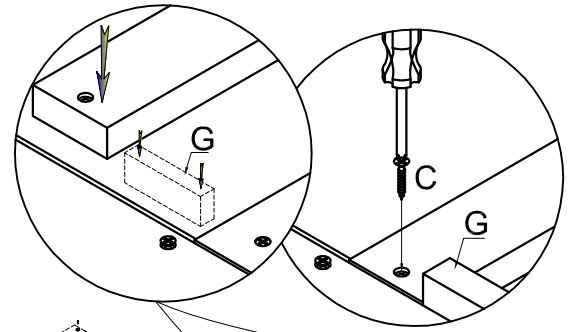
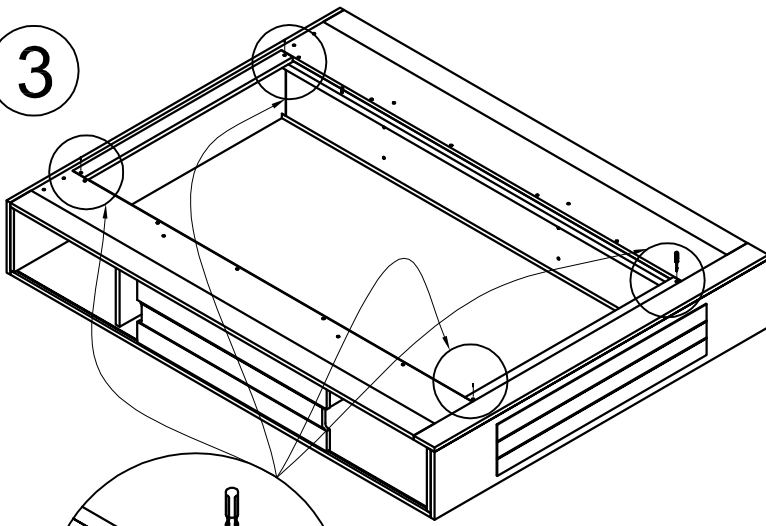
A	M4 mm	B	9.7*25mm	D	M6*30 mm
					
x 1		x 16		x 24	

2



A	M4 mm	B	9.7*25mm	D	M6*30 mm
					
x 1		x 2		x 7	

3



2

