




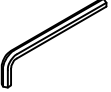


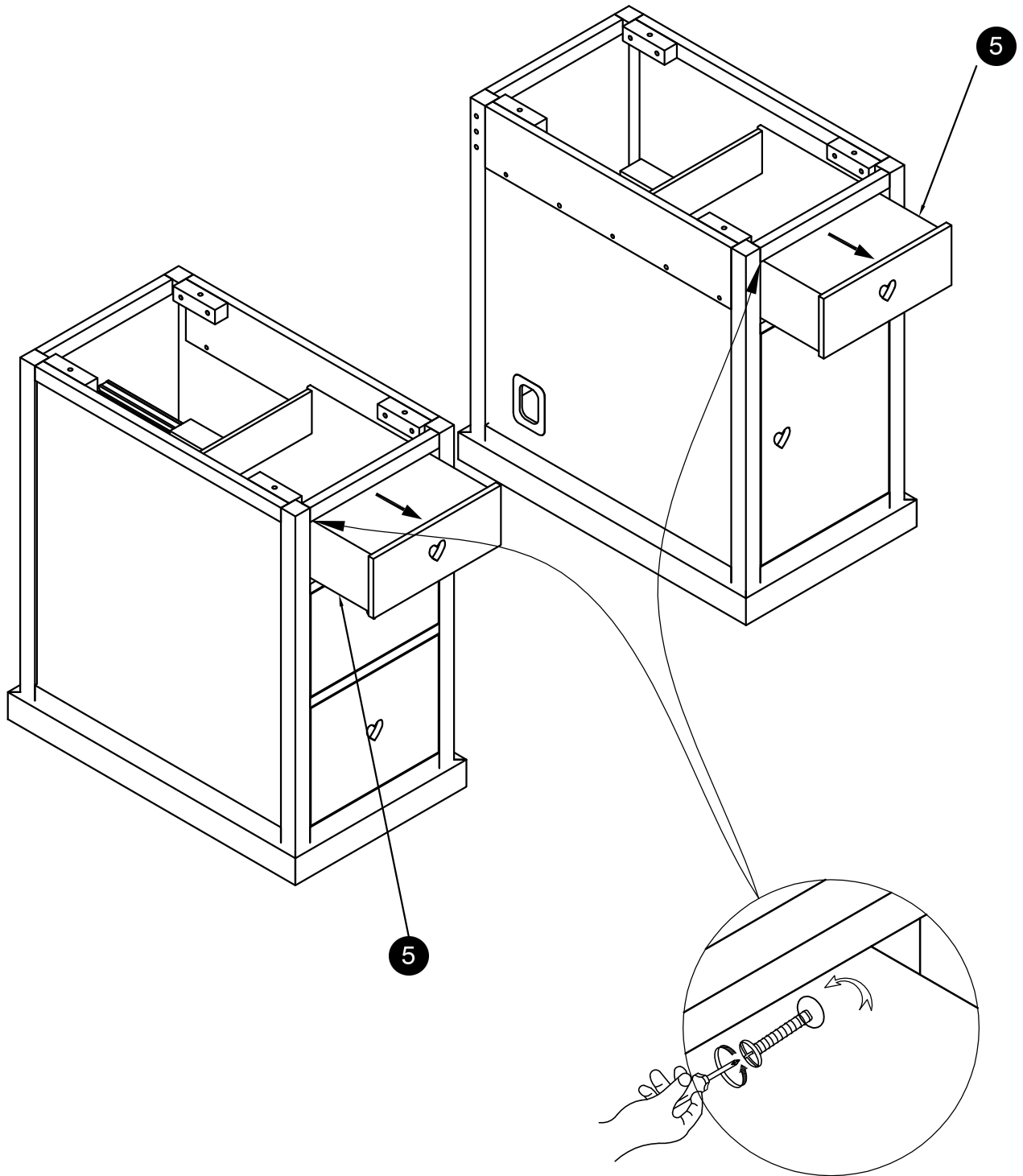
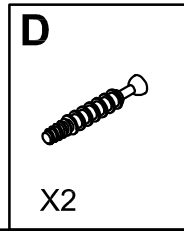
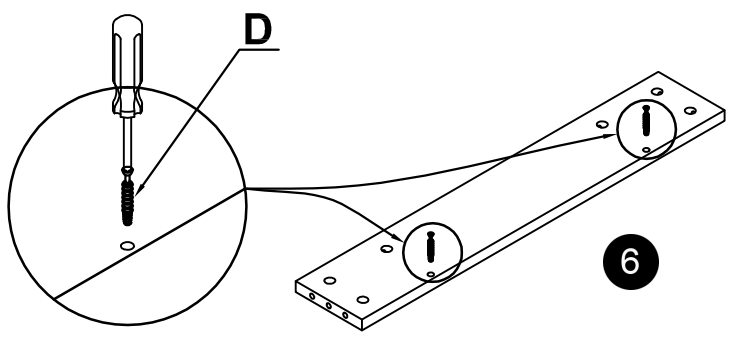


| | | | | | |
|--|--|---|---|--|---|
| A Ø6*40mm  X10 | B Ø 7.7 x 25  X6 | | | | |
| C  X6 | D  X2 | E  X8 | F M 4  X1 | G Ø14.6*13mm  X6 | H Ø6*70mm  X6 |

1

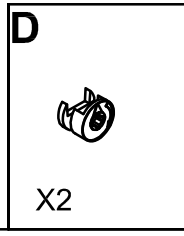
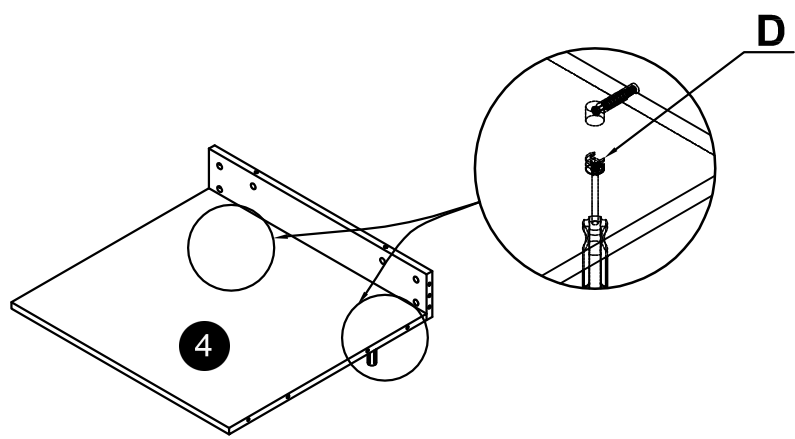


2



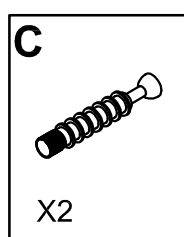
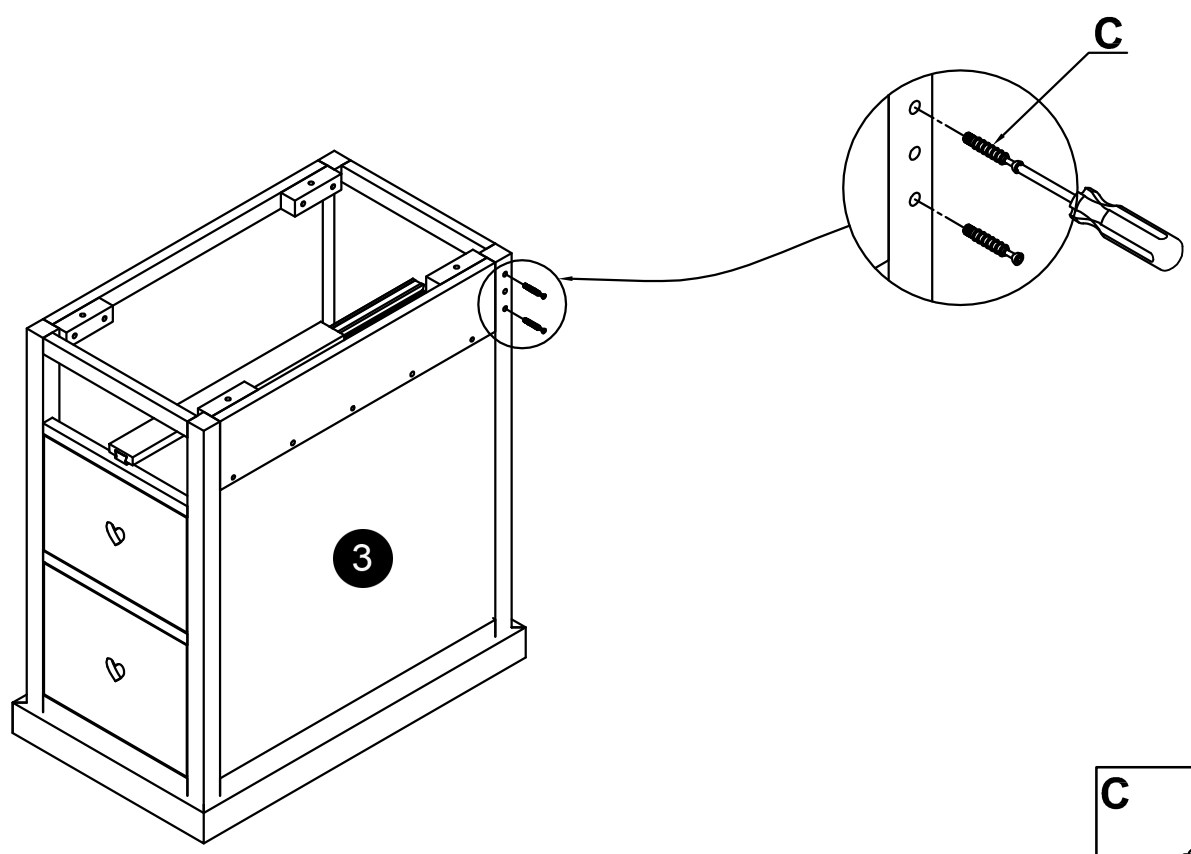
X2

3

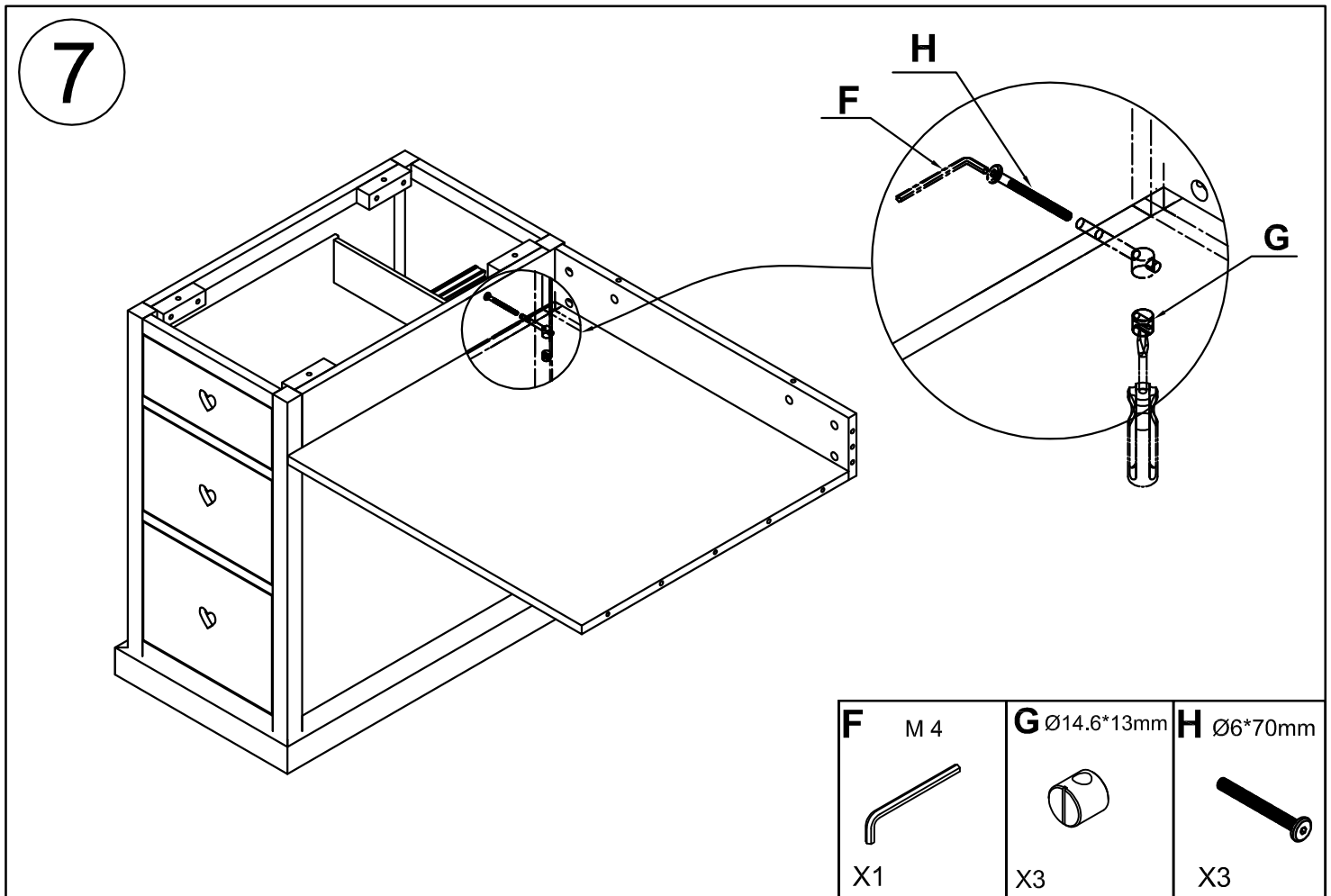
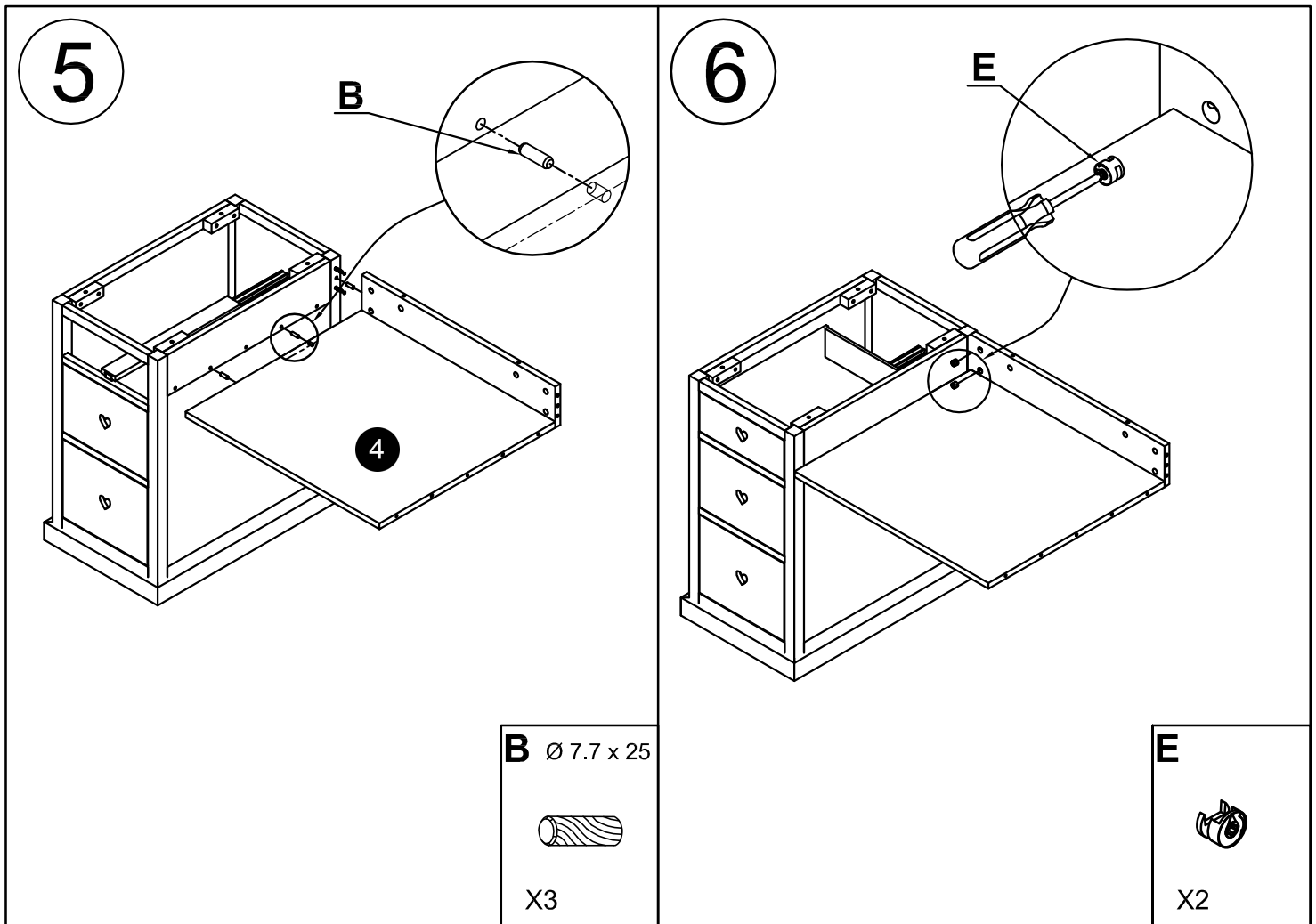


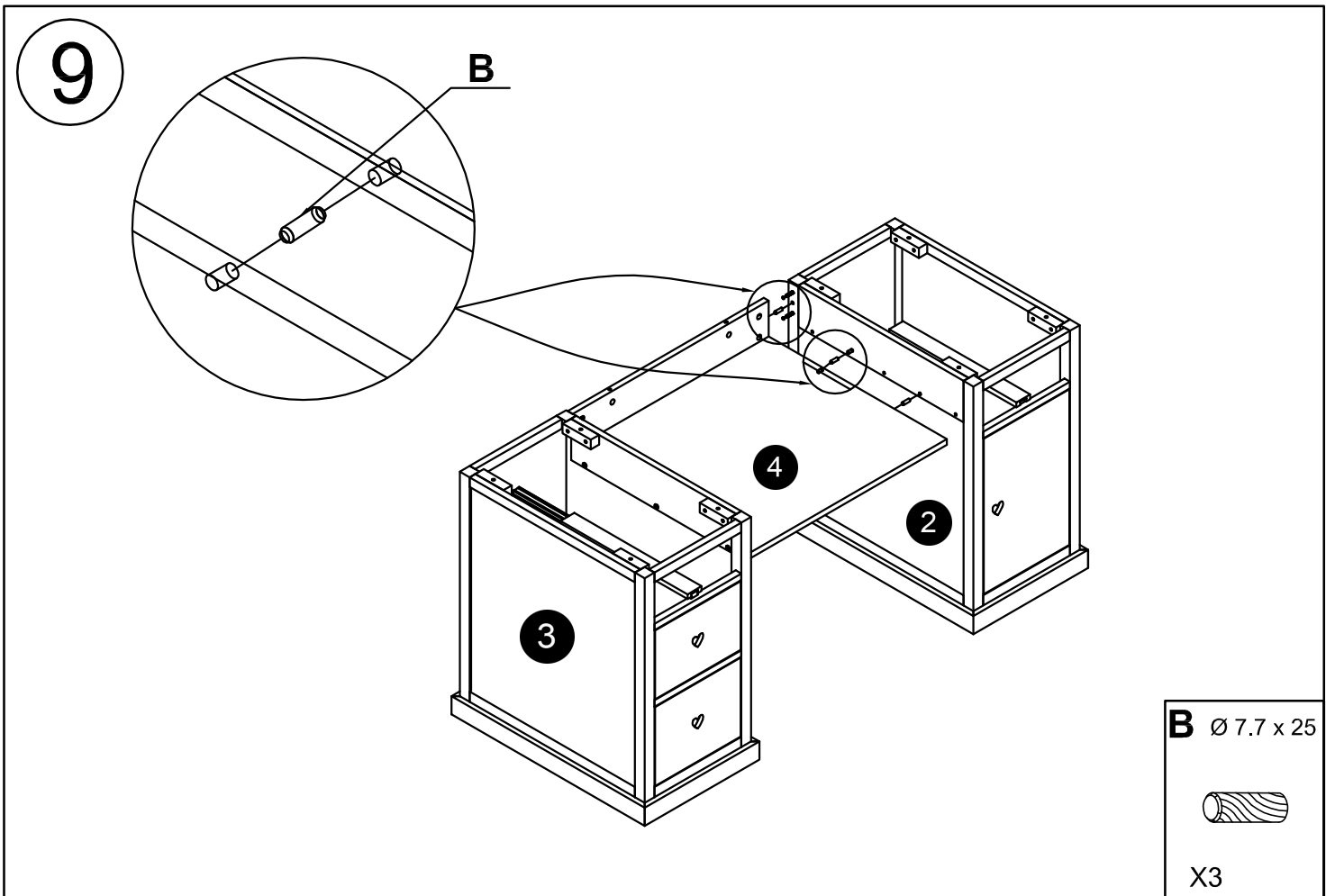
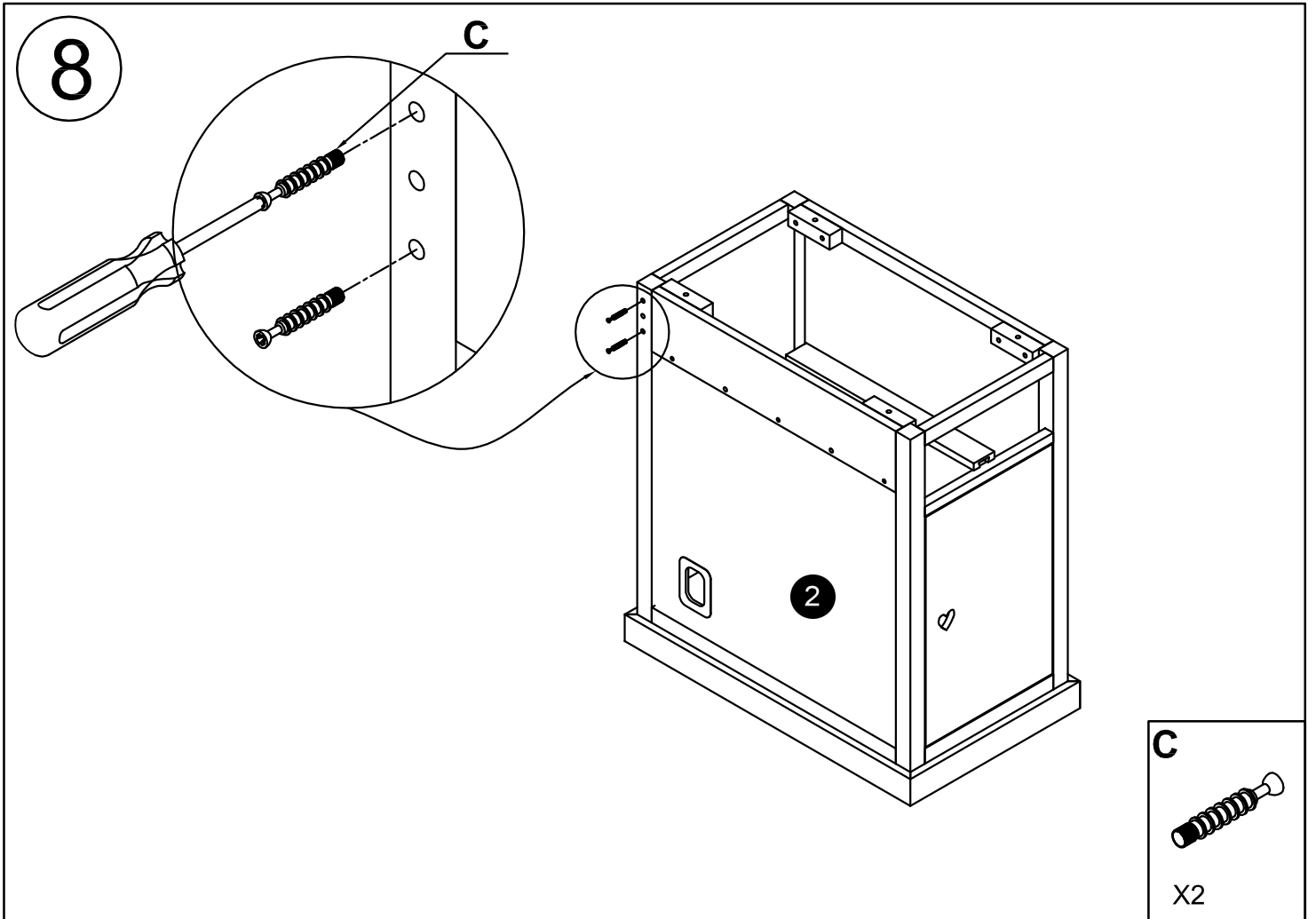
X2

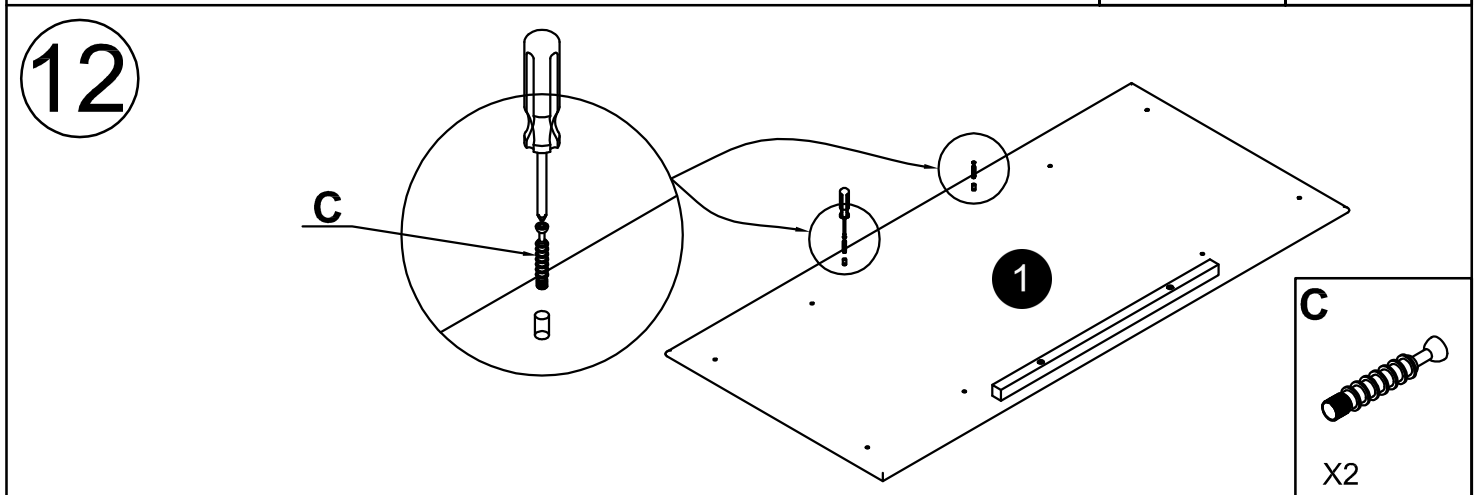
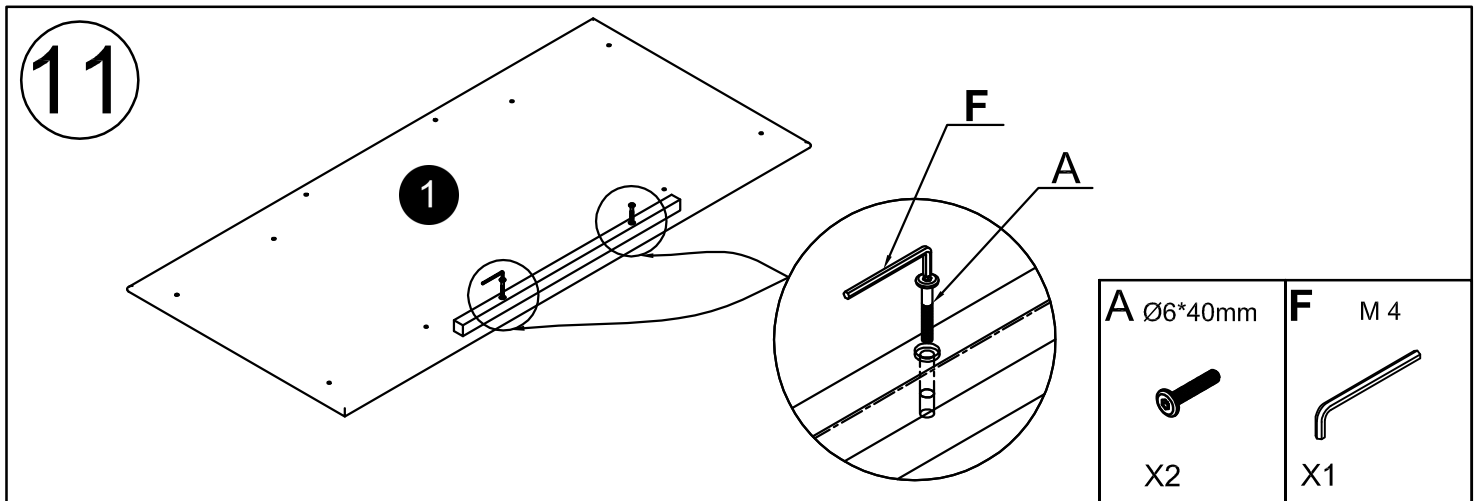
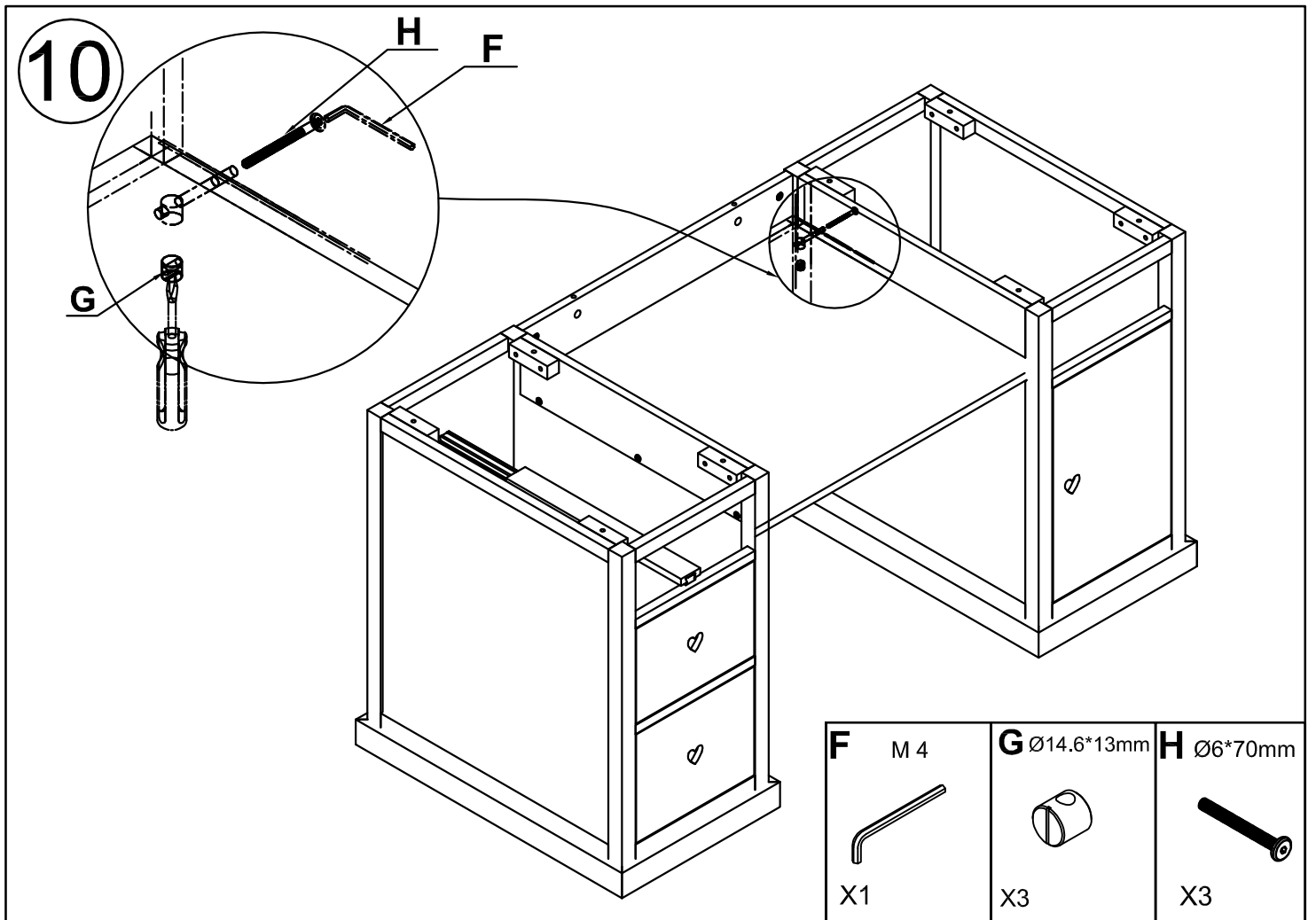
4



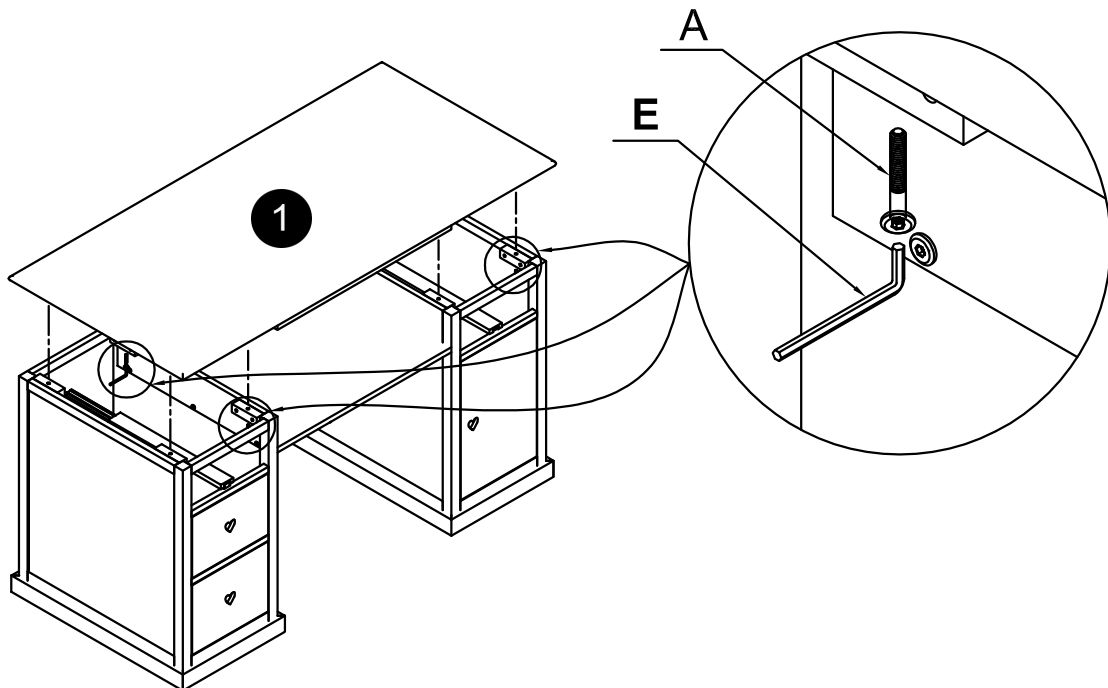
X2


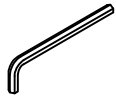




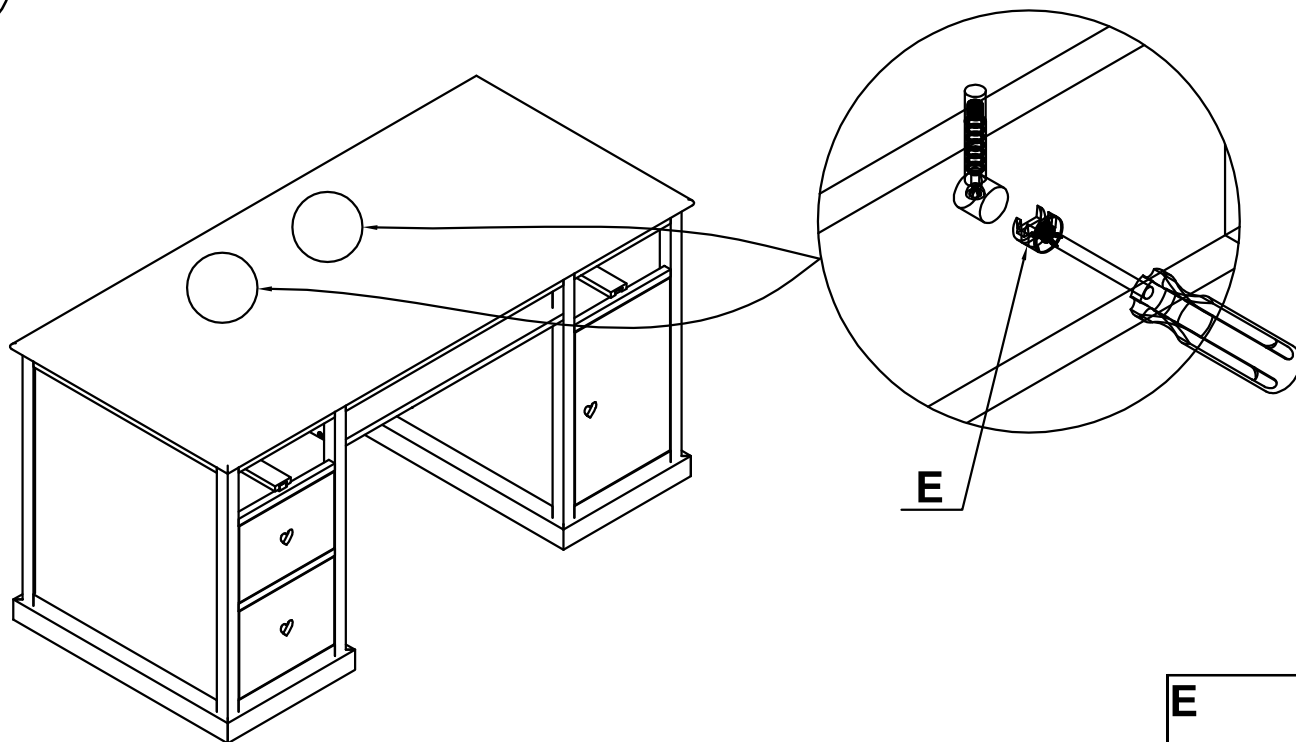



13



| | |
|--|--|
| A Ø6*40mm | E M 4 |
|  |  |
| X8 | X1 |

14



| |
|---|
| E |
|  |
| X2 |

