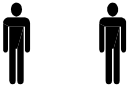
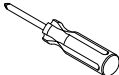
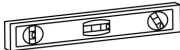
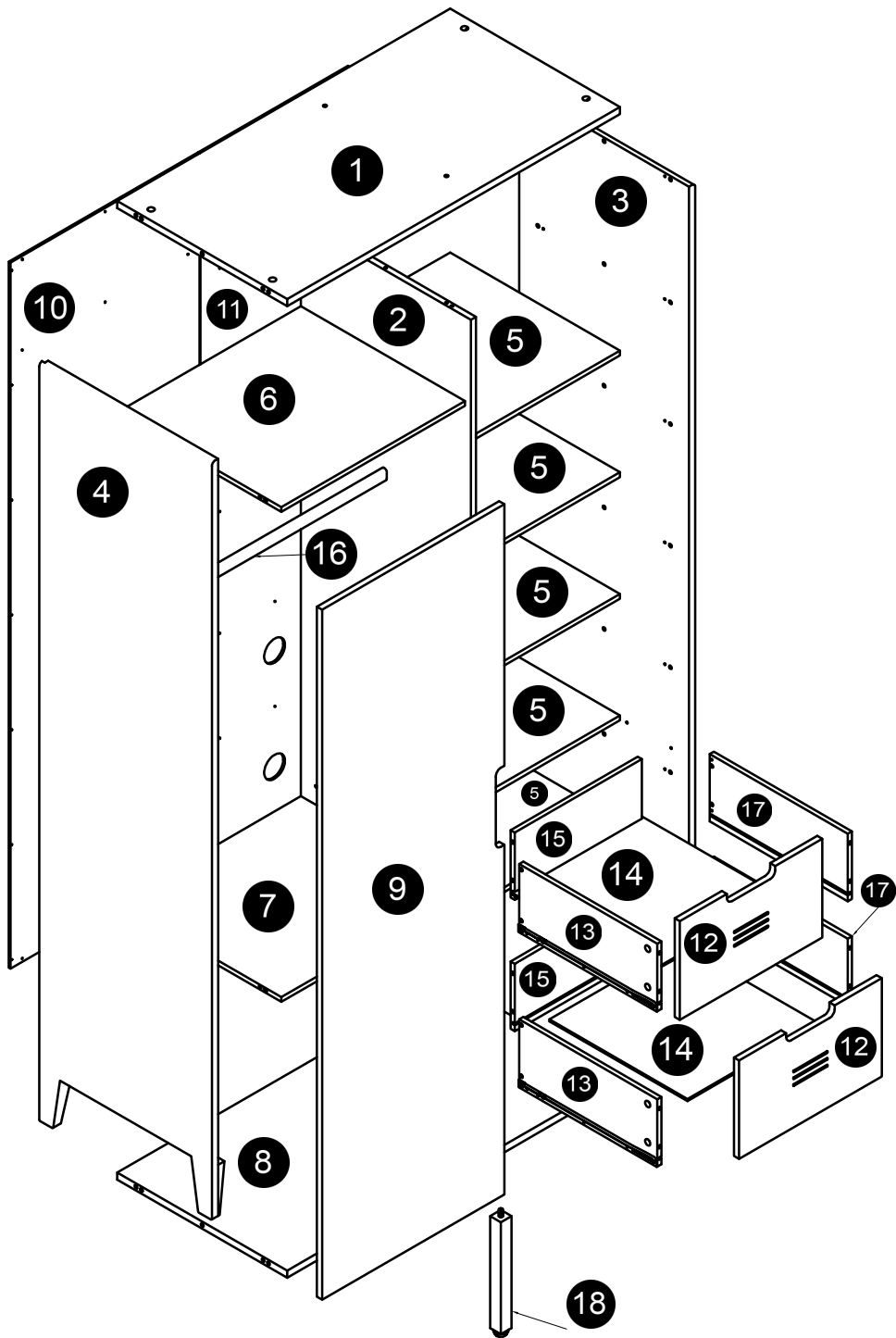


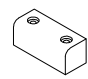



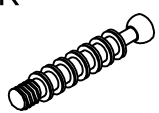

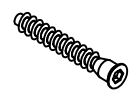




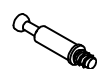

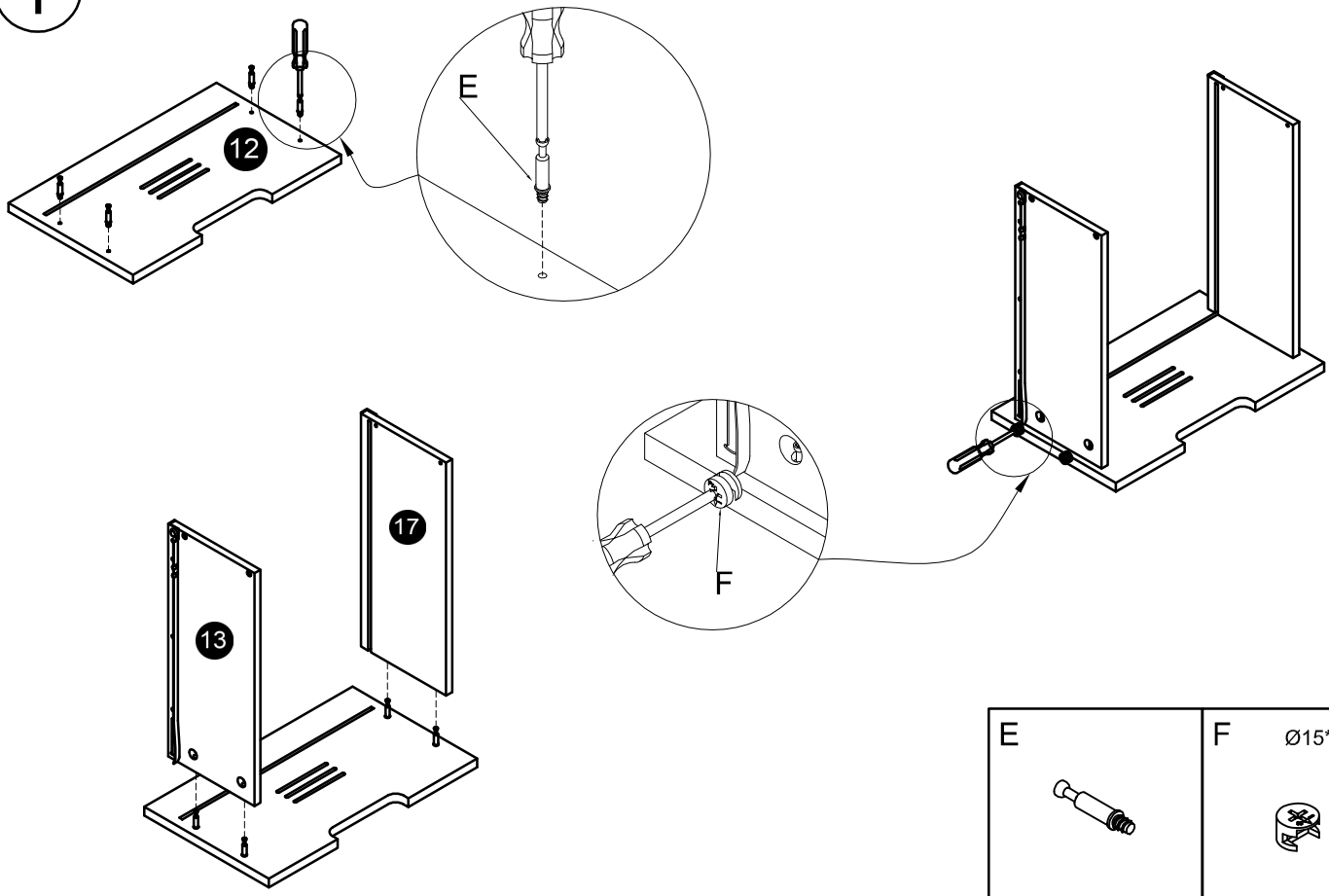


 45 MIN			
--	---	---	---



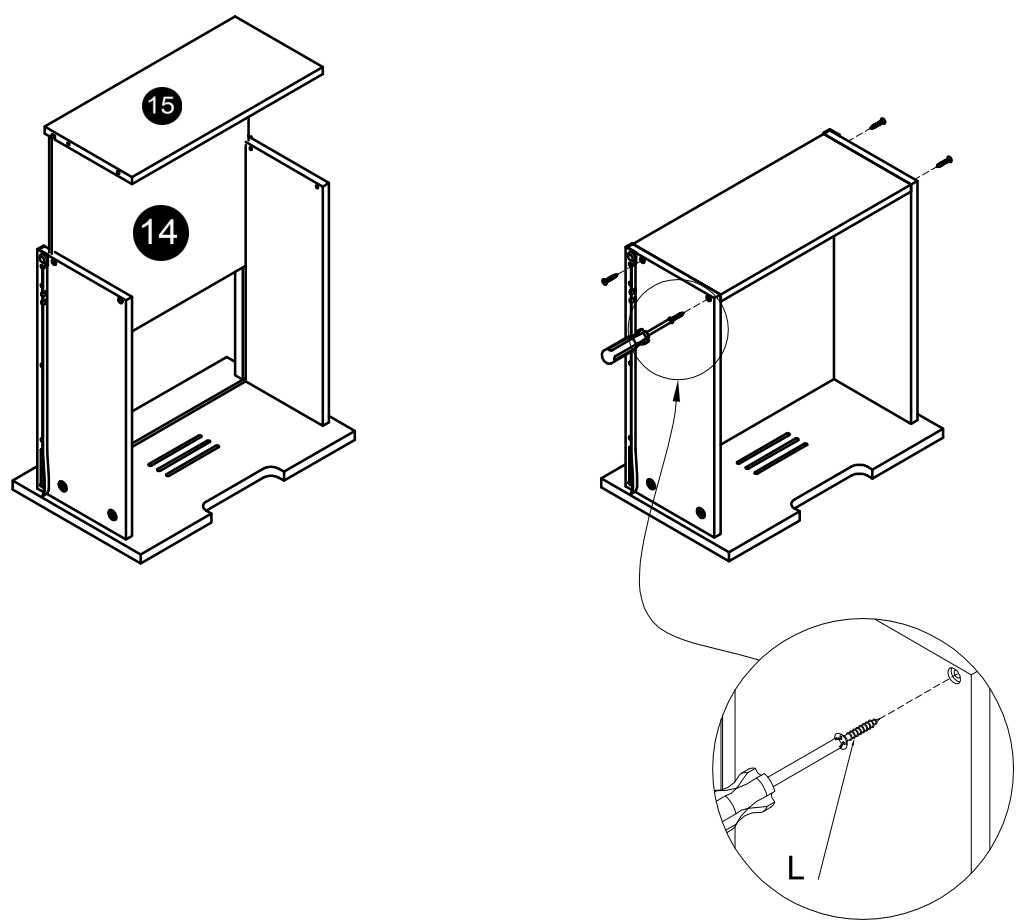
N 7.7*25 mm  x 54	O  x 2	P  x 2			
G  x 4	H M4*30*115  x 1	I  x 8	K  x 8	L 3.5*30mm  x 12	M M7*50*F10  x 4
A  x 4	B 18*14 mm  x 7	C 3.5*20 mm  x 51	D 3.5*15 mm  x 28	E  x 32	F Ø15*10 mm  x 32


1



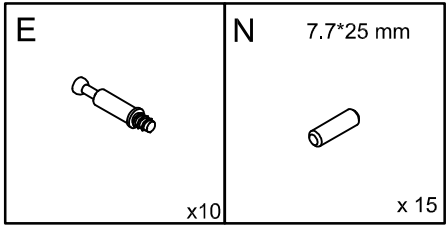
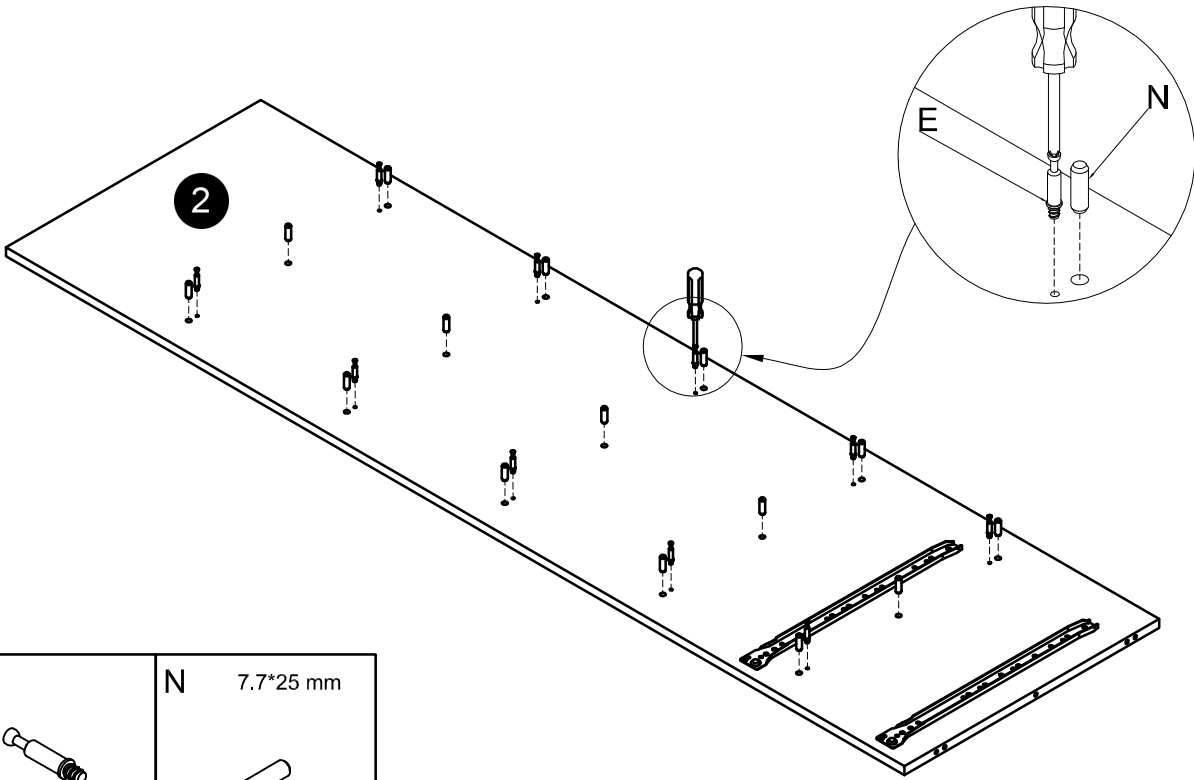
E	F
	
x8	x8

2

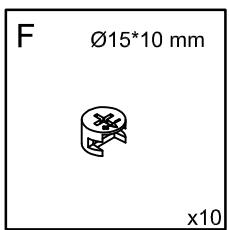
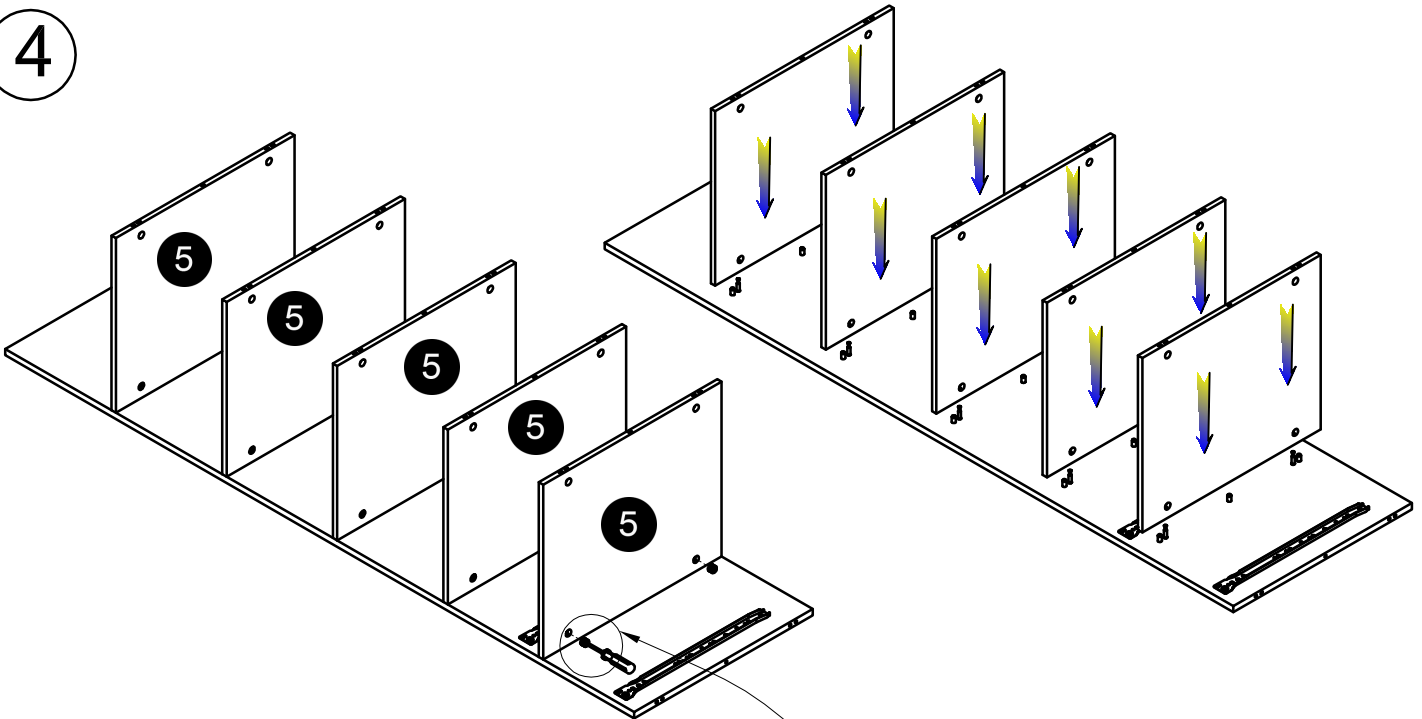


L	3.5*30mm
	
x8	

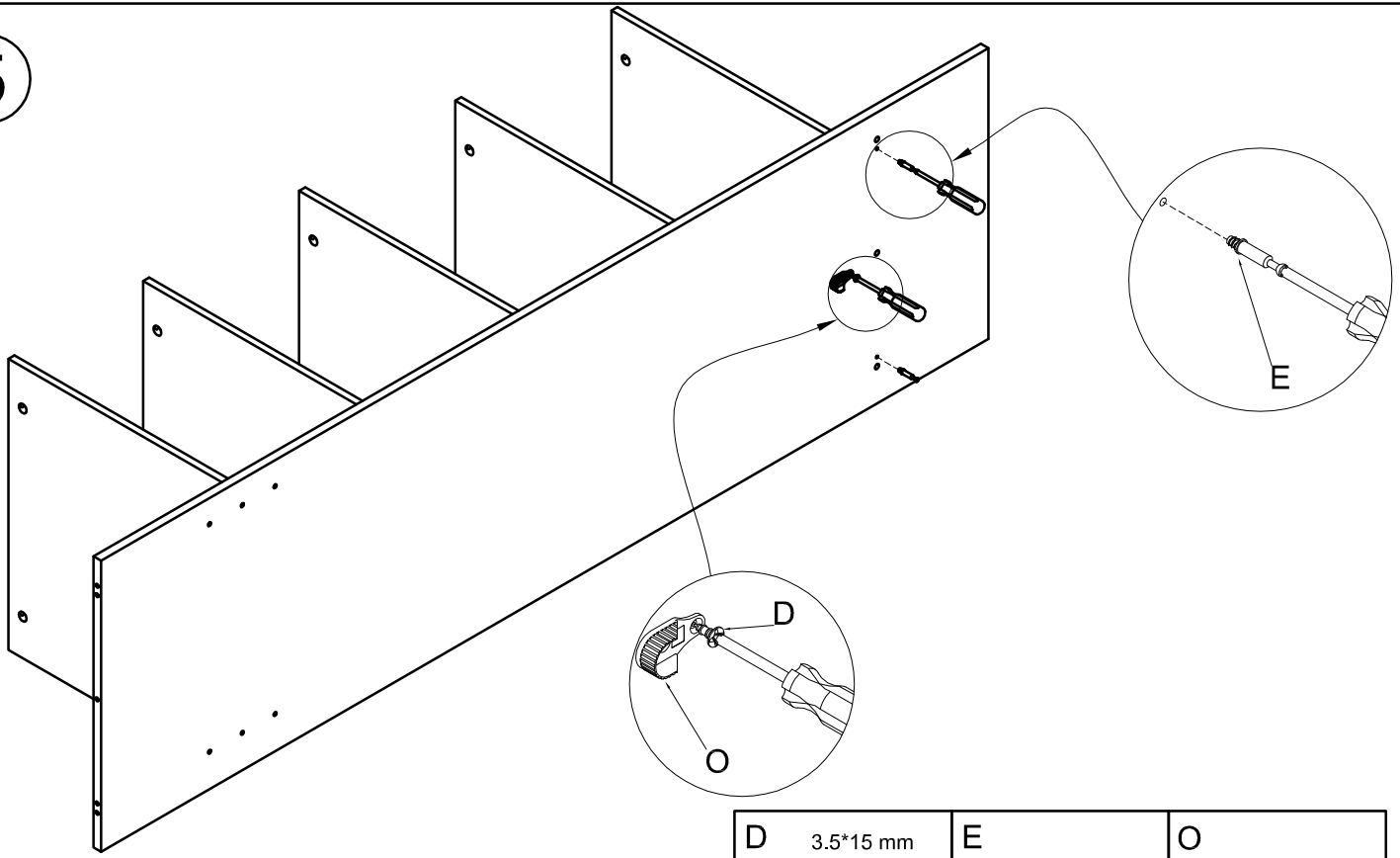
3


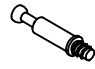



4

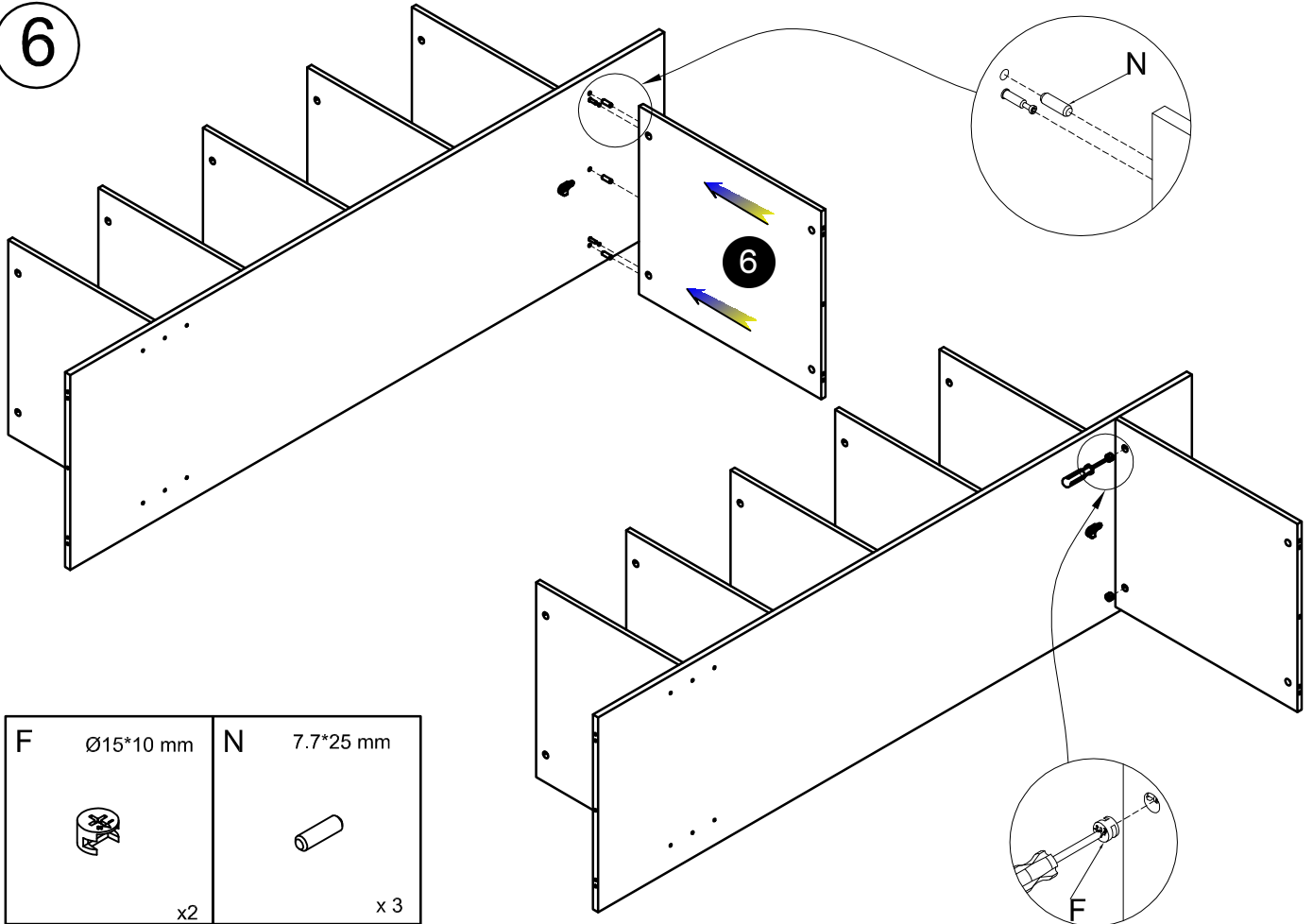




5

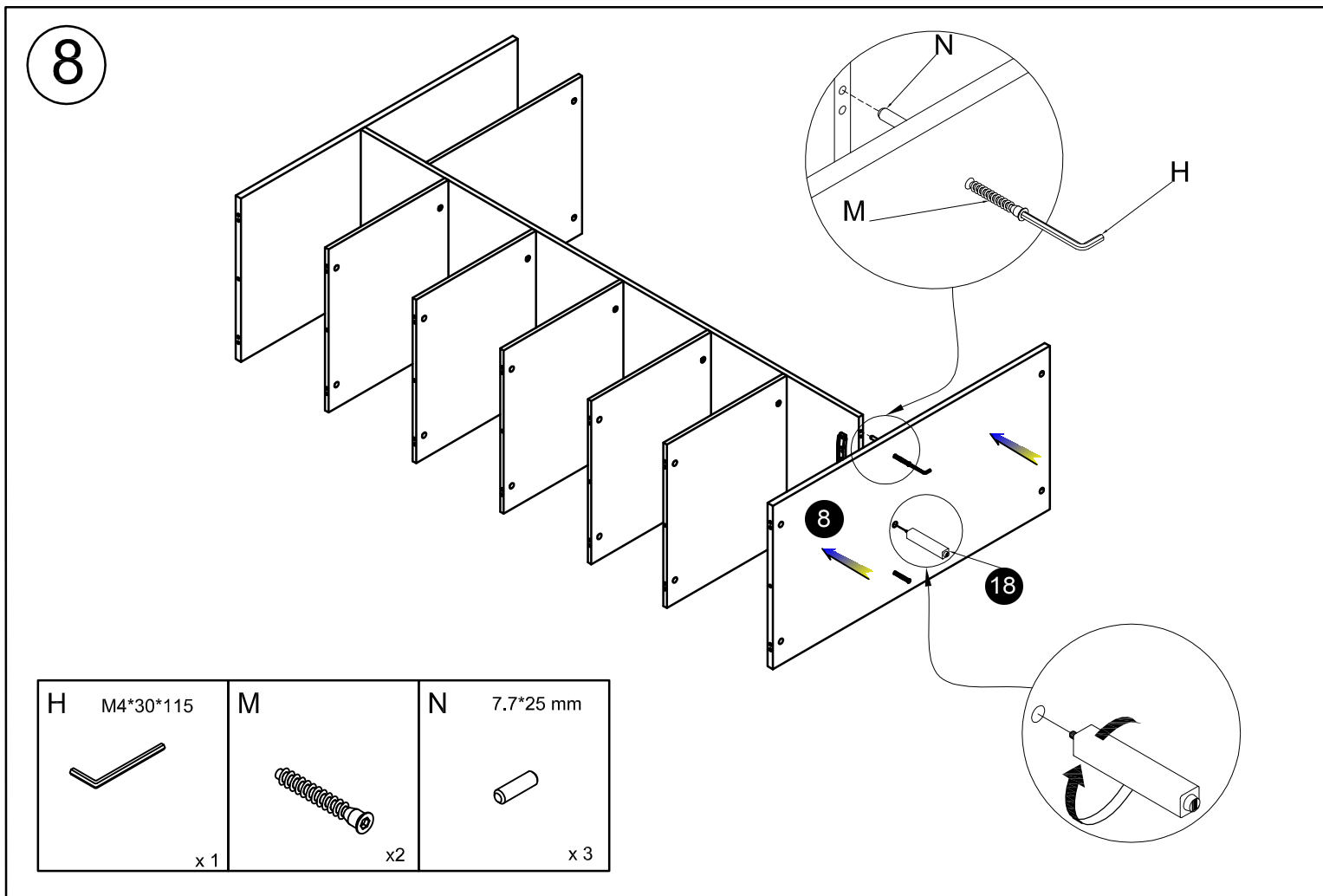
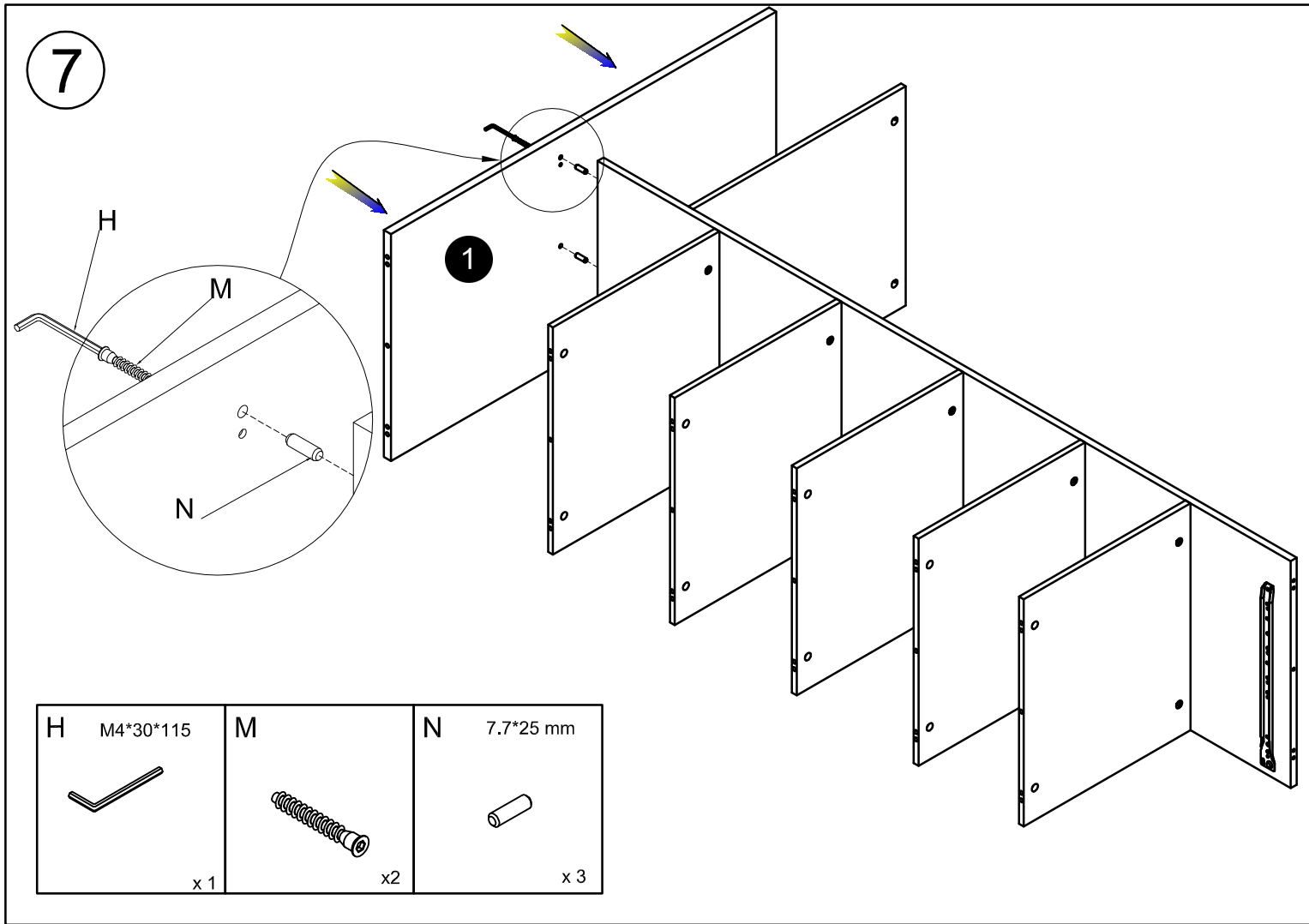


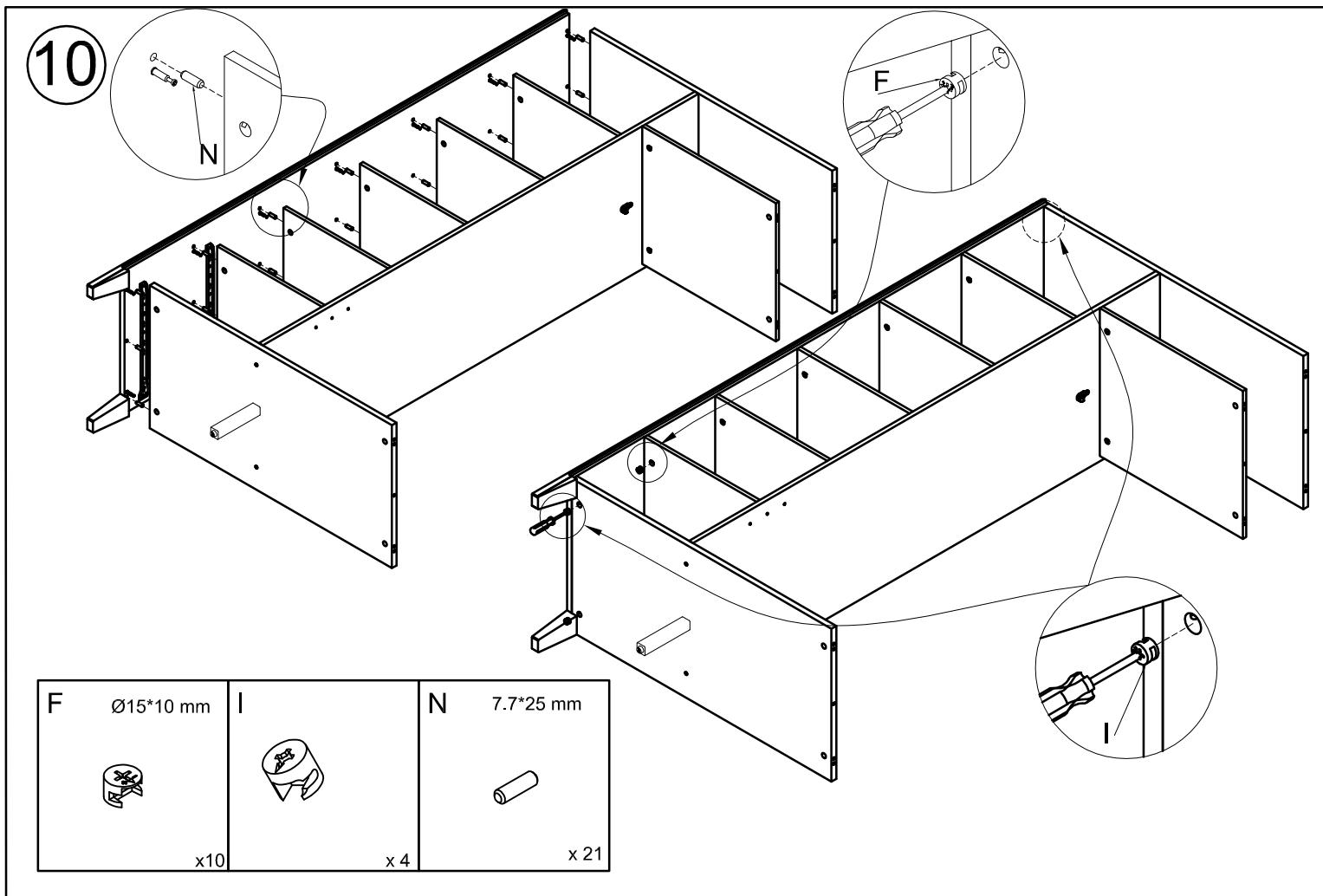
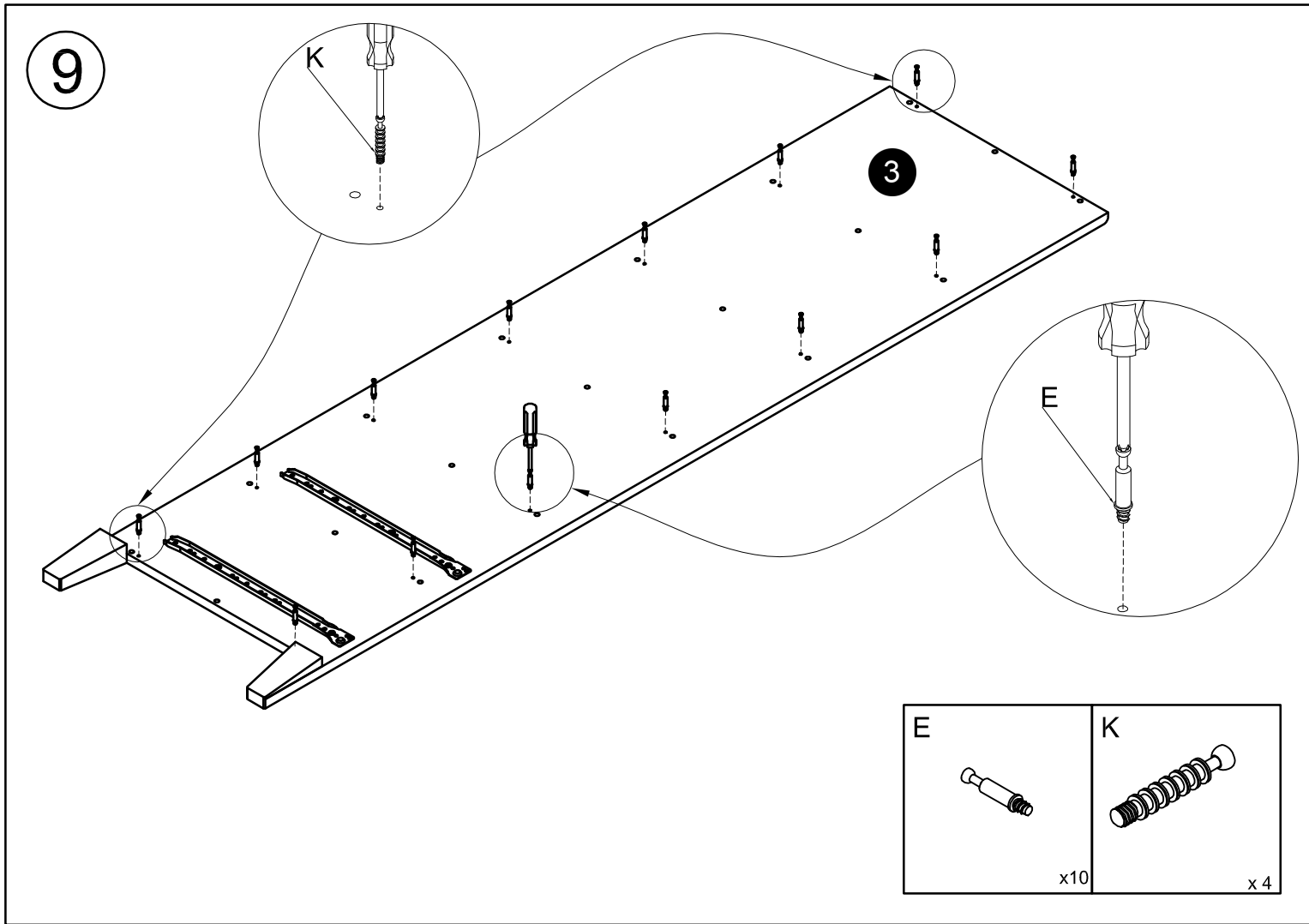
<p>D 3.5*15 mm</p>  <p>x 2</p>	<p>E</p>  <p>x 2</p>	<p>O</p>  <p>x 1</p>
---	--	---

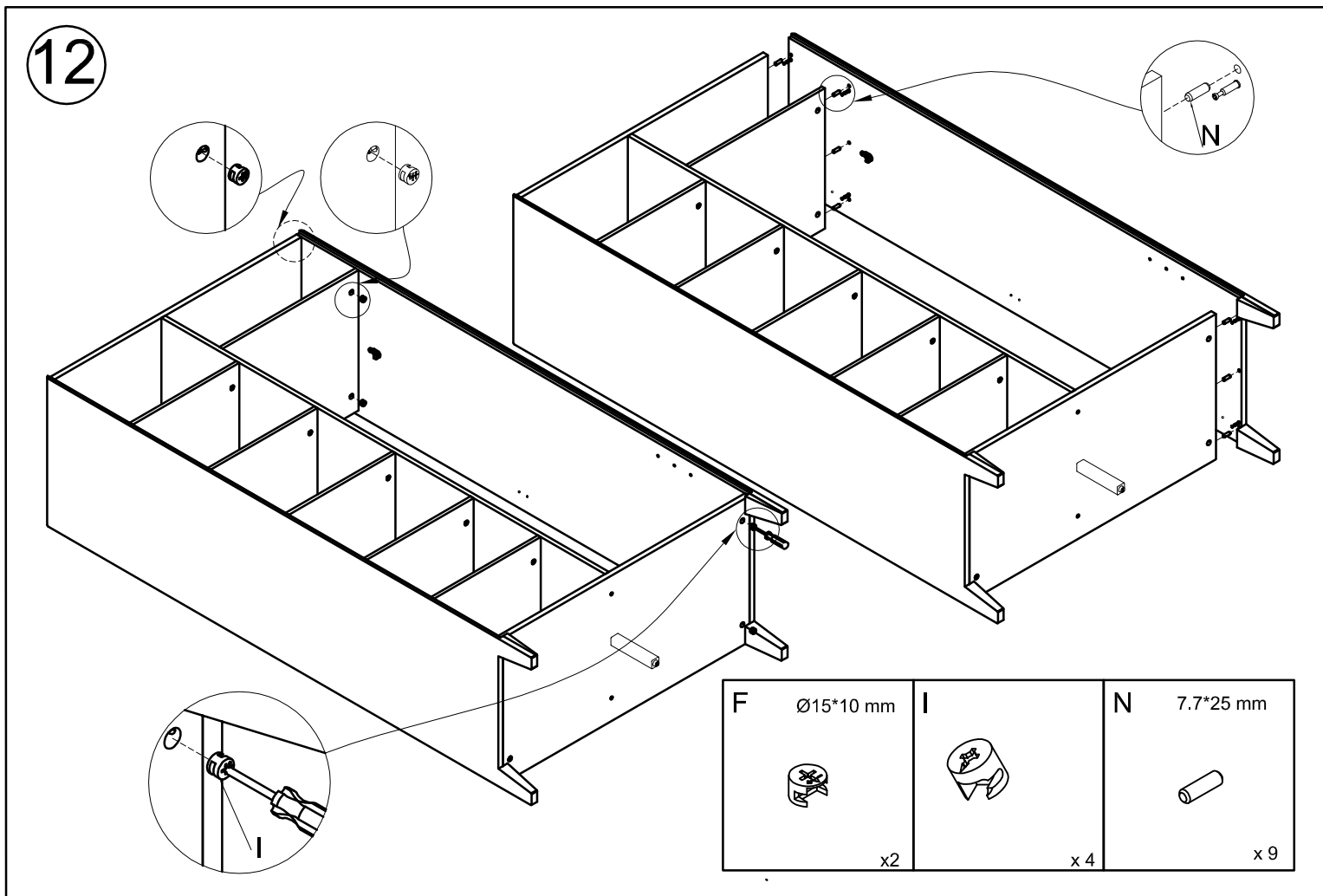
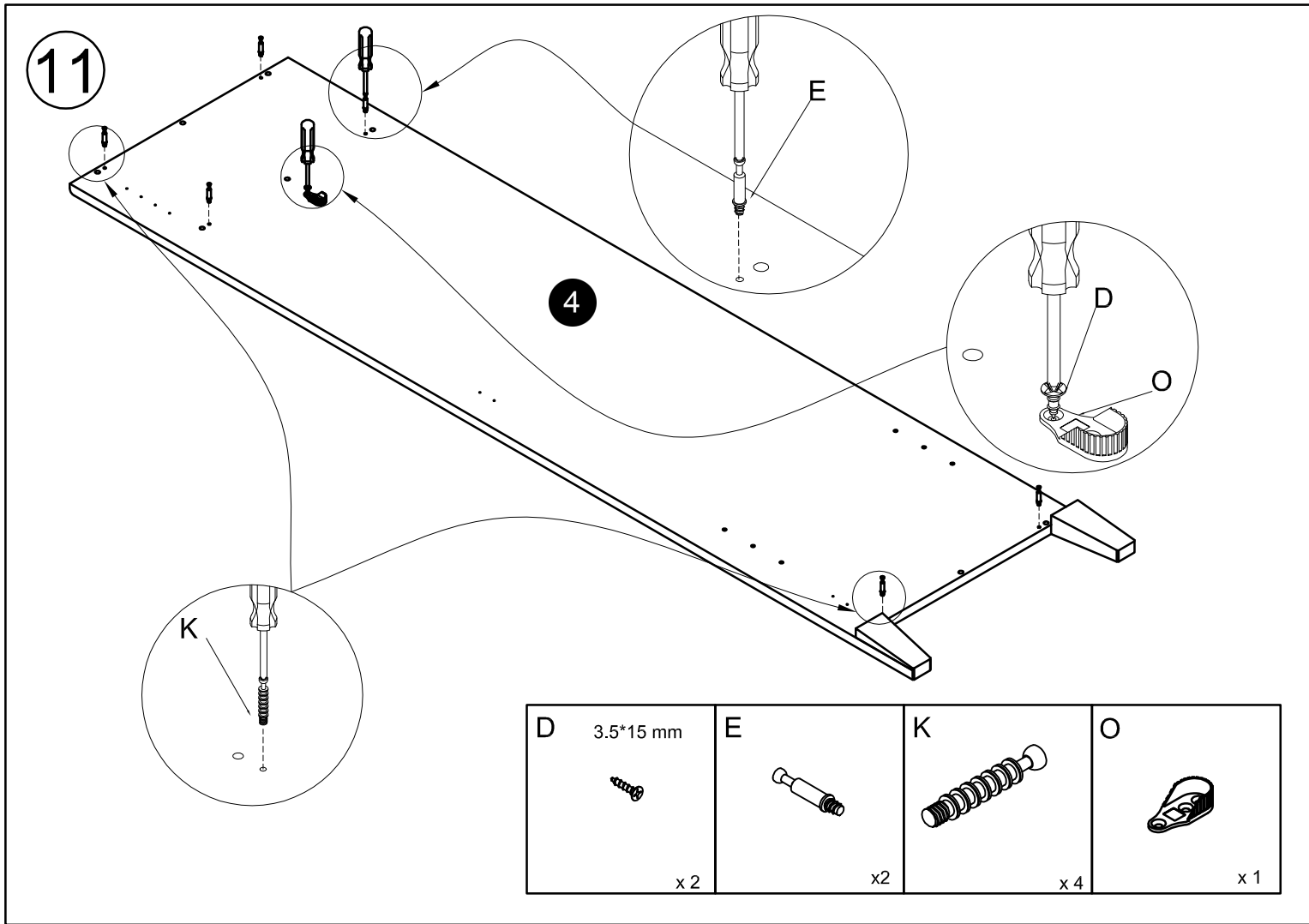
6



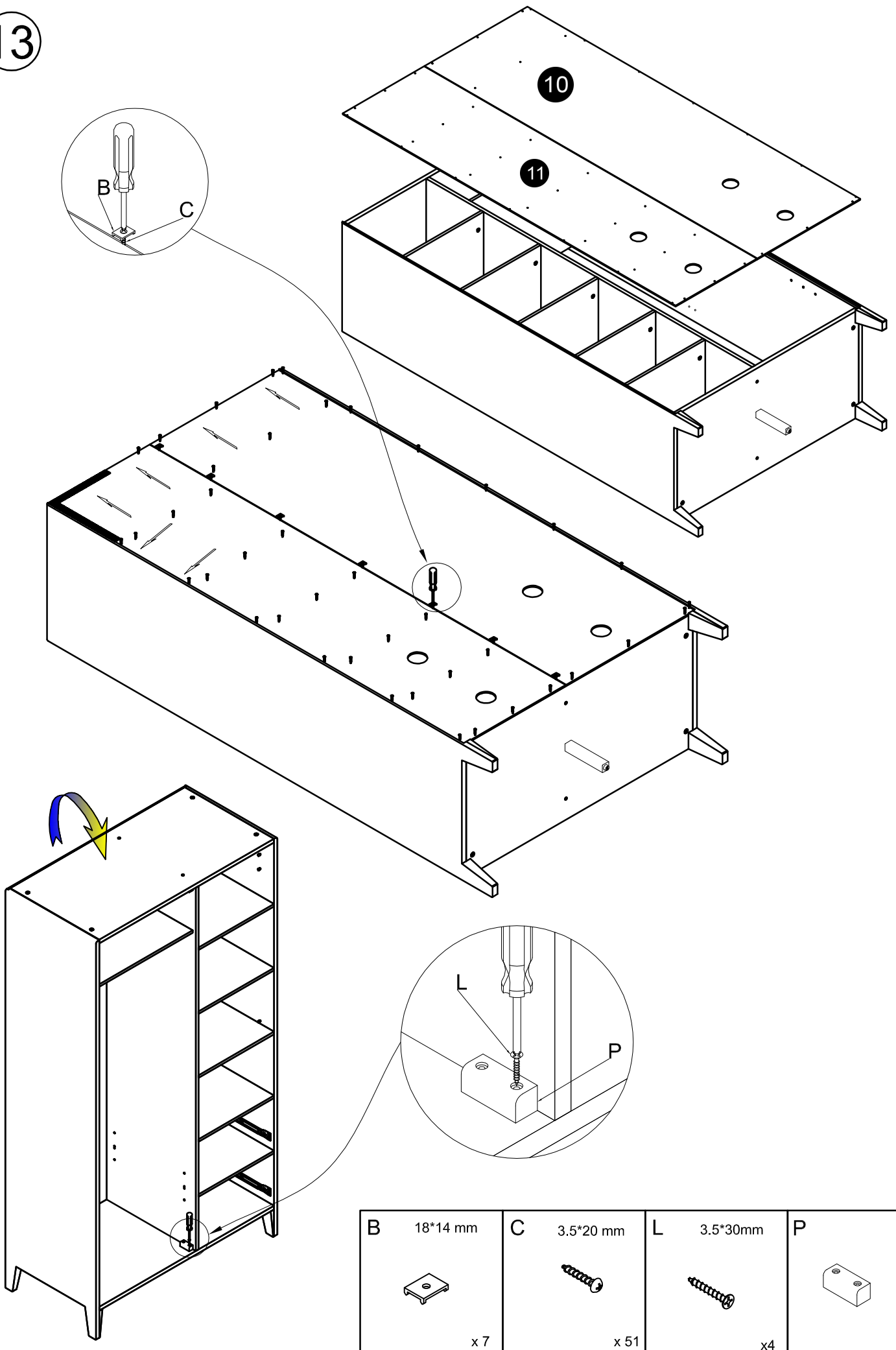
<p>F Ø15*10 mm</p>  <p>x 2</p>	<p>N 7.7*25 mm</p>  <p>x 3</p>
--	--



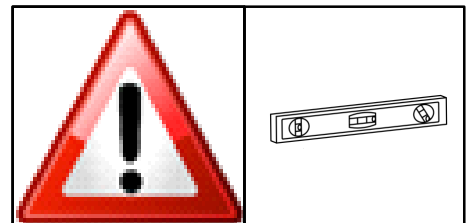
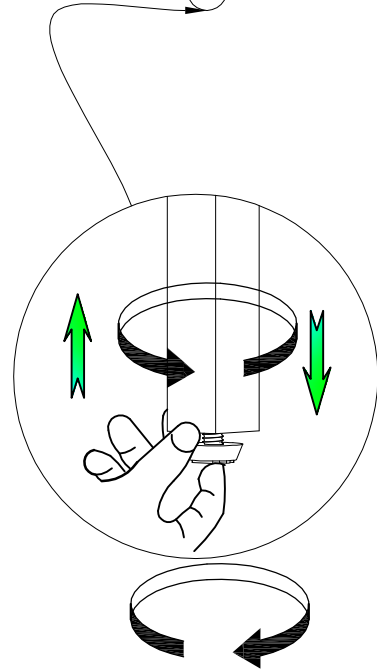
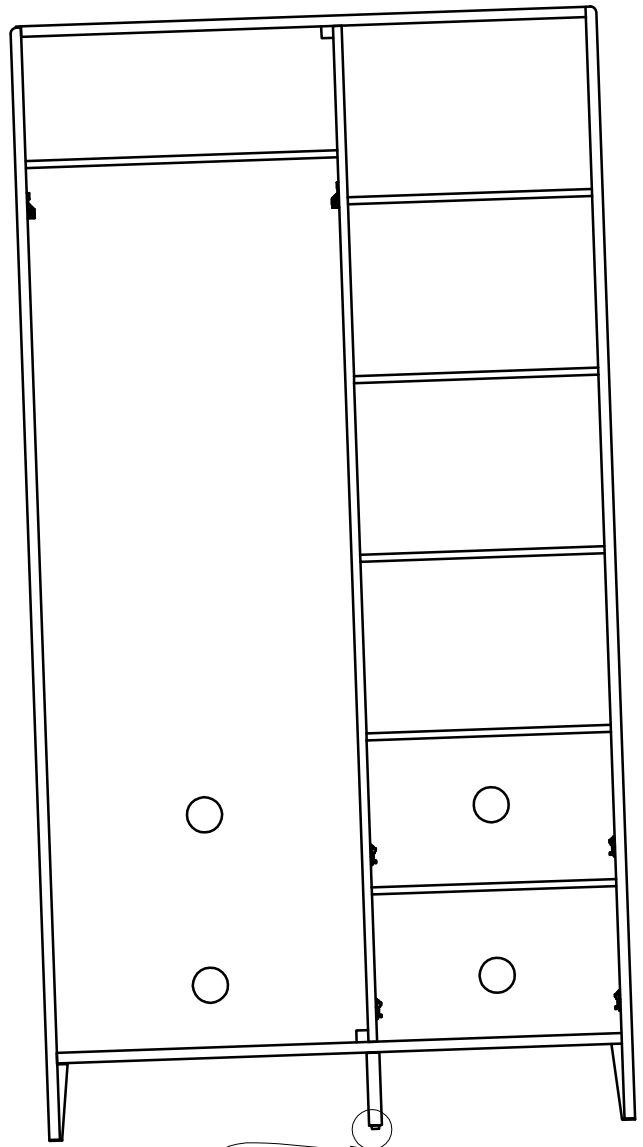
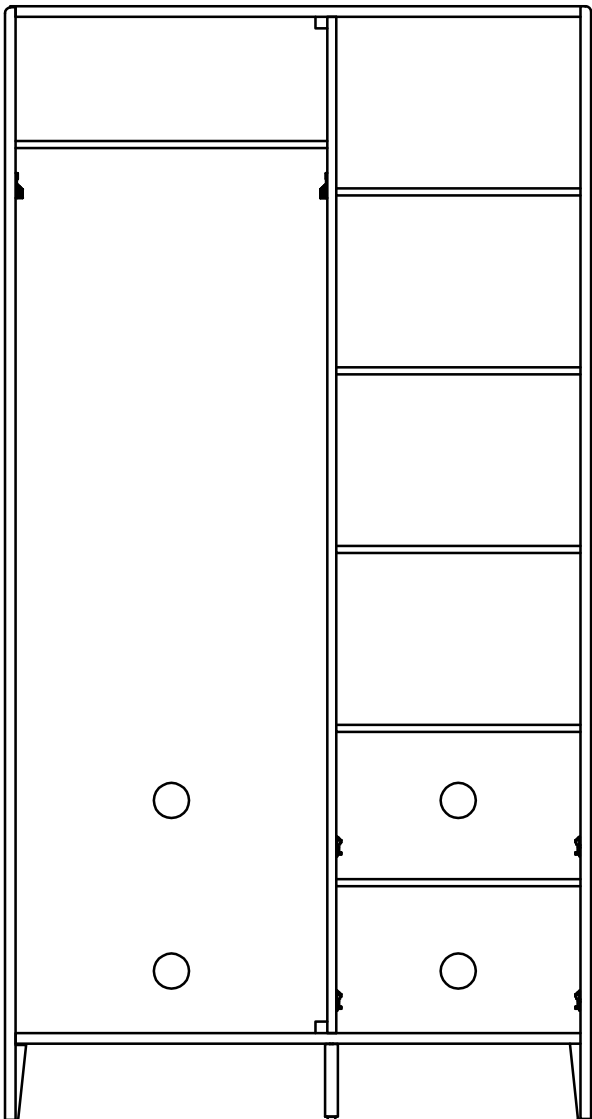




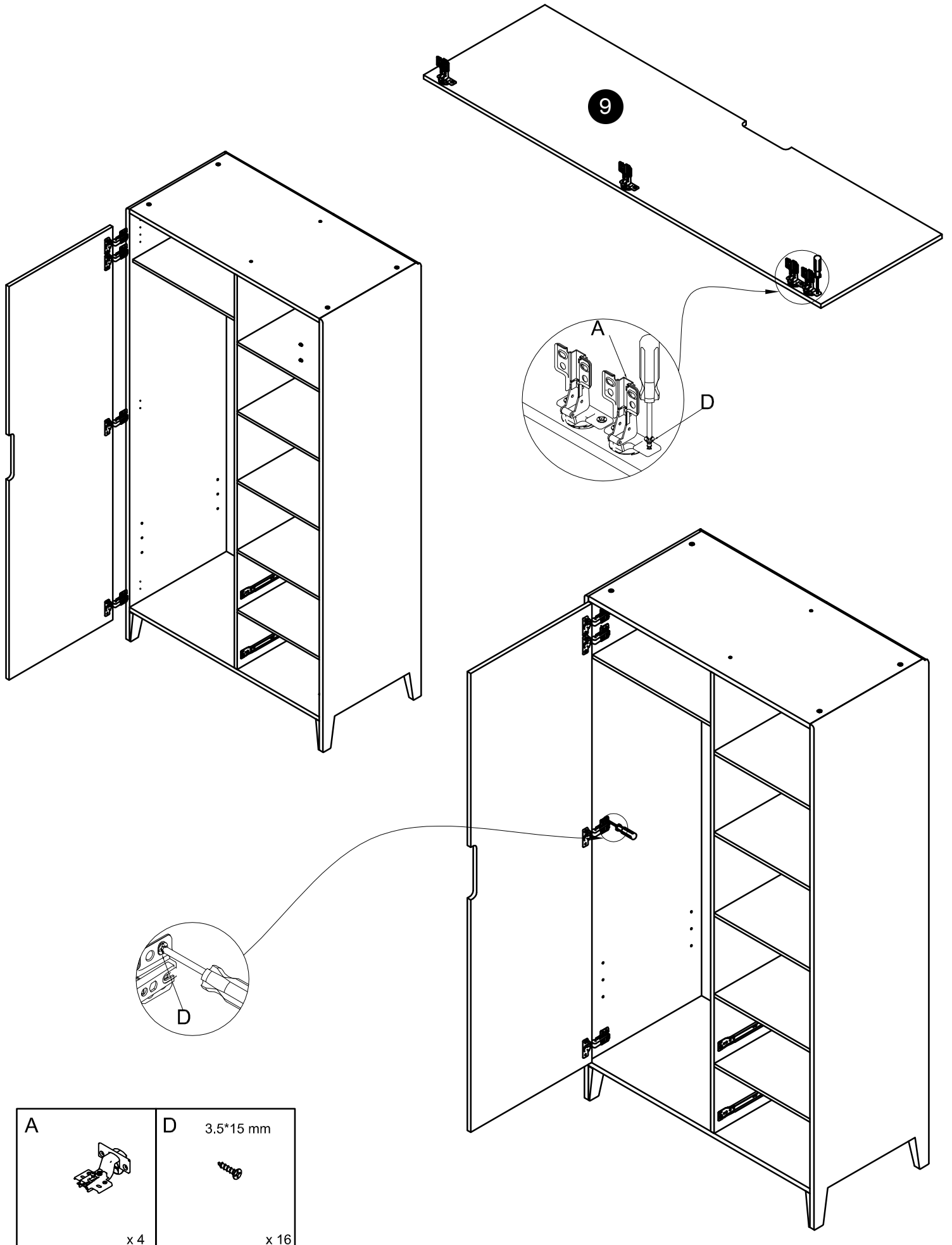
13





14

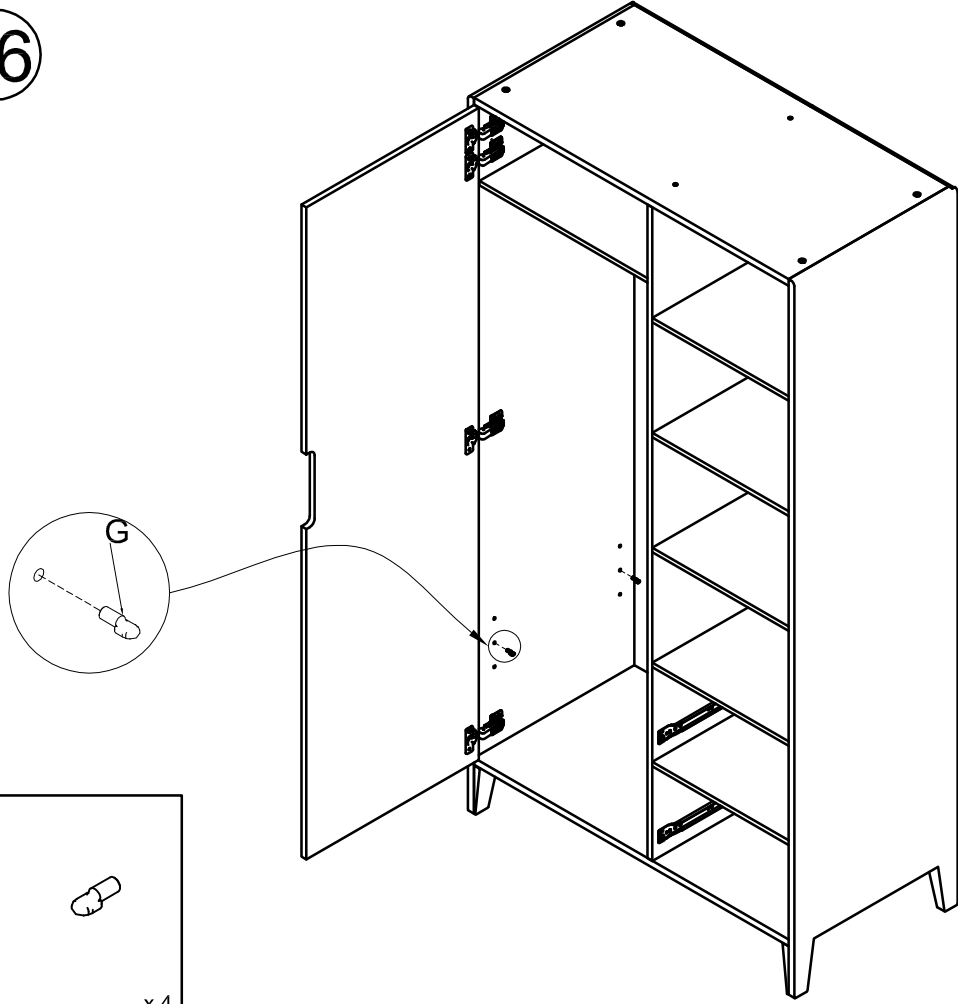


15

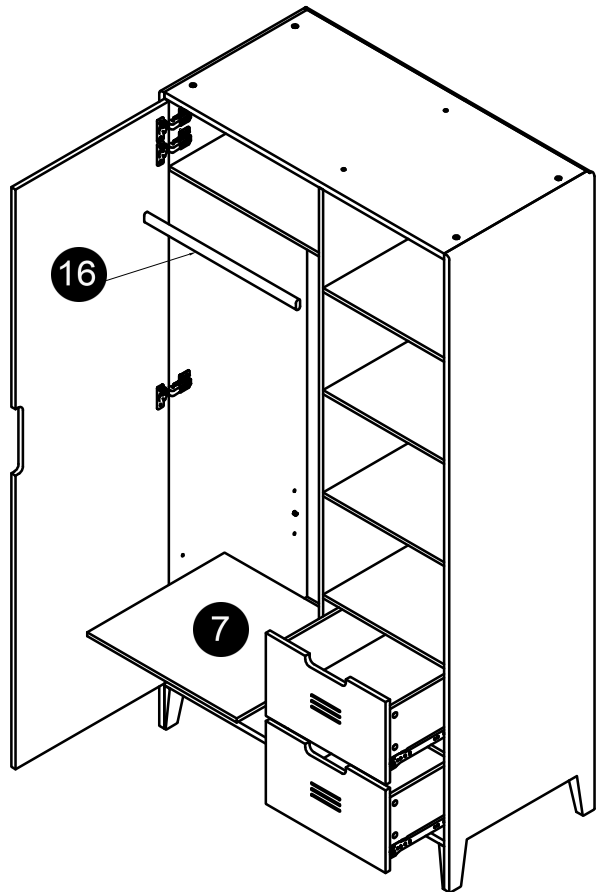


<p>A</p>  <p>x 4</p>	<p>D 3.5*15 mm</p>  <p>x 16</p>
---	--

16



17



18

