
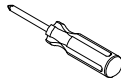
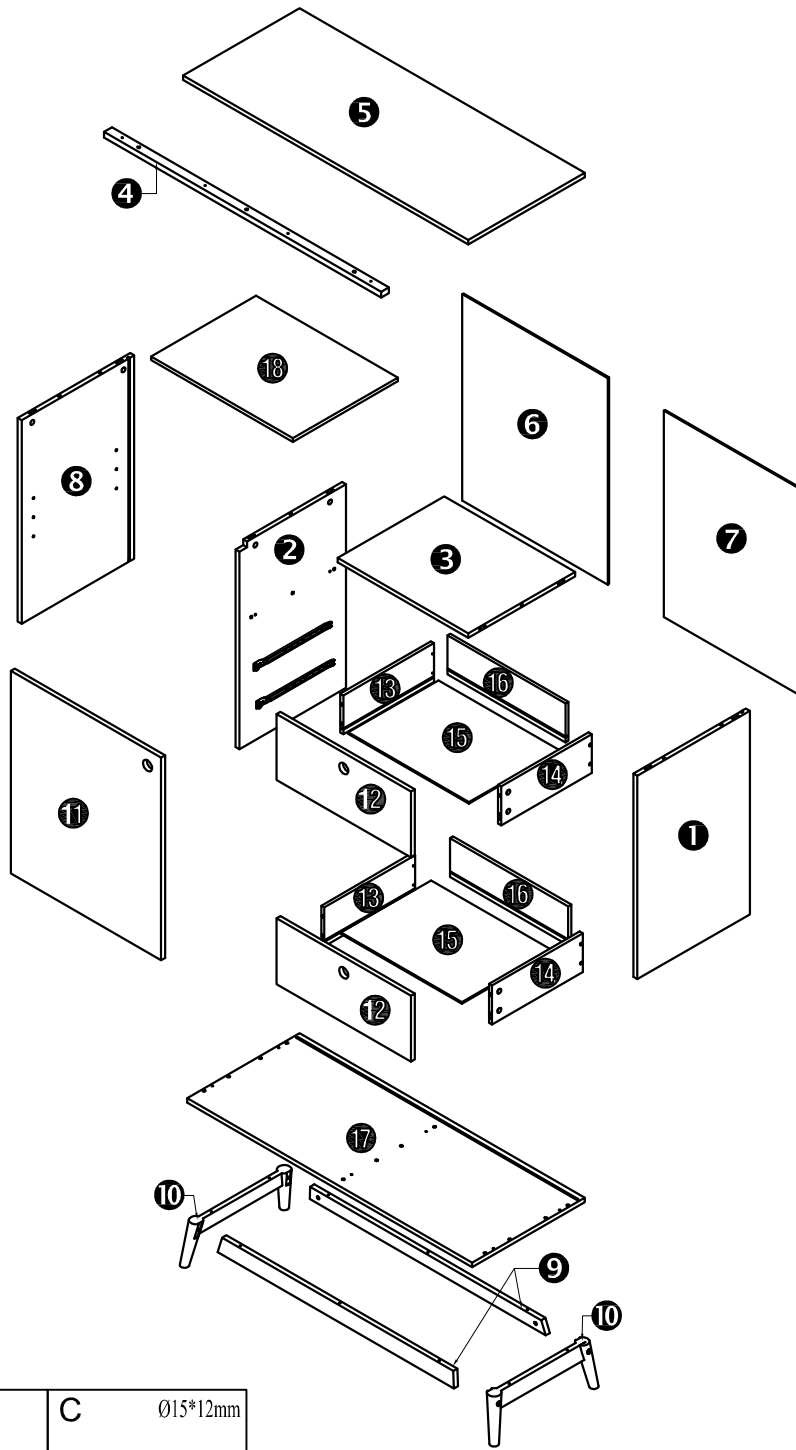








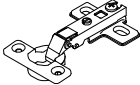






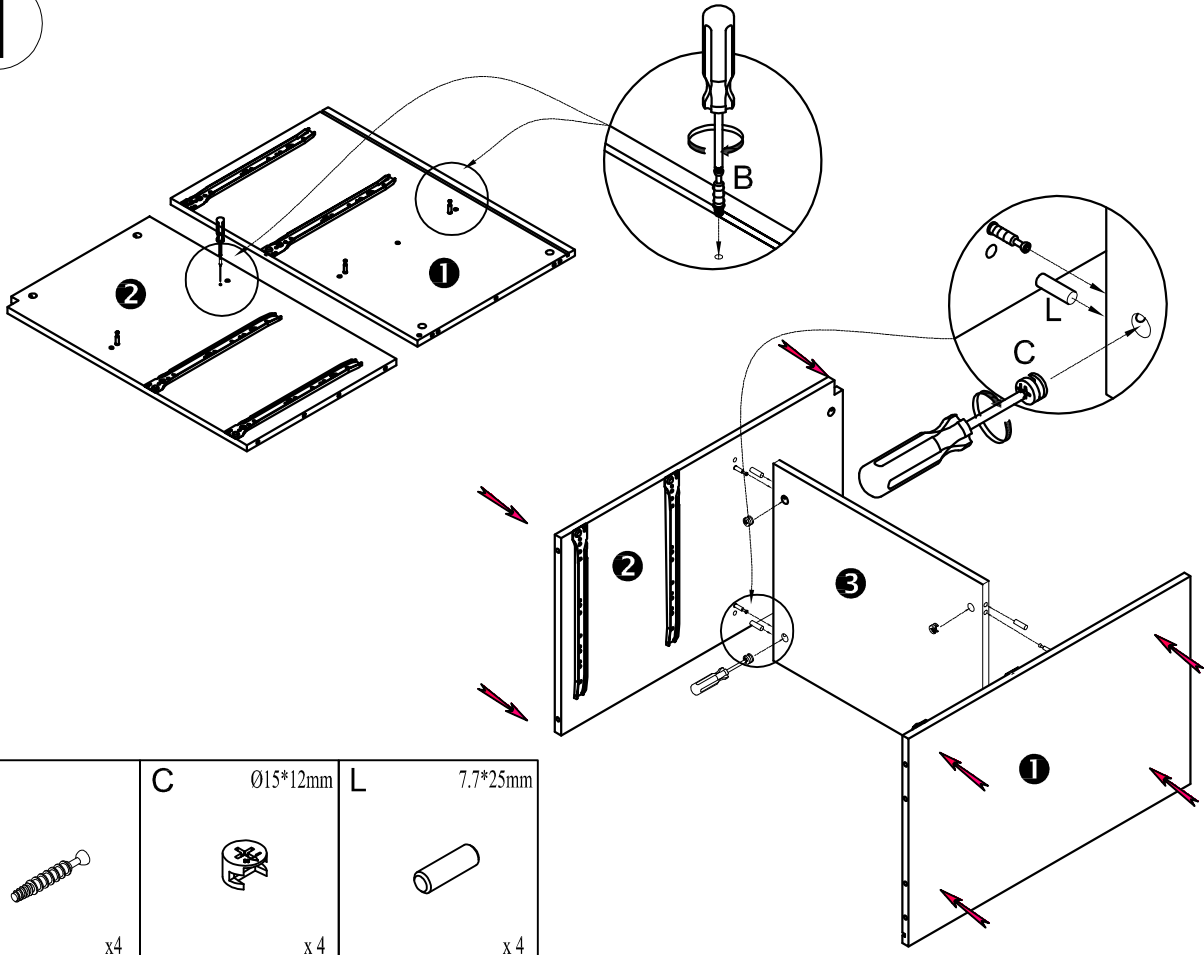



 30 MIN		
--	---	---



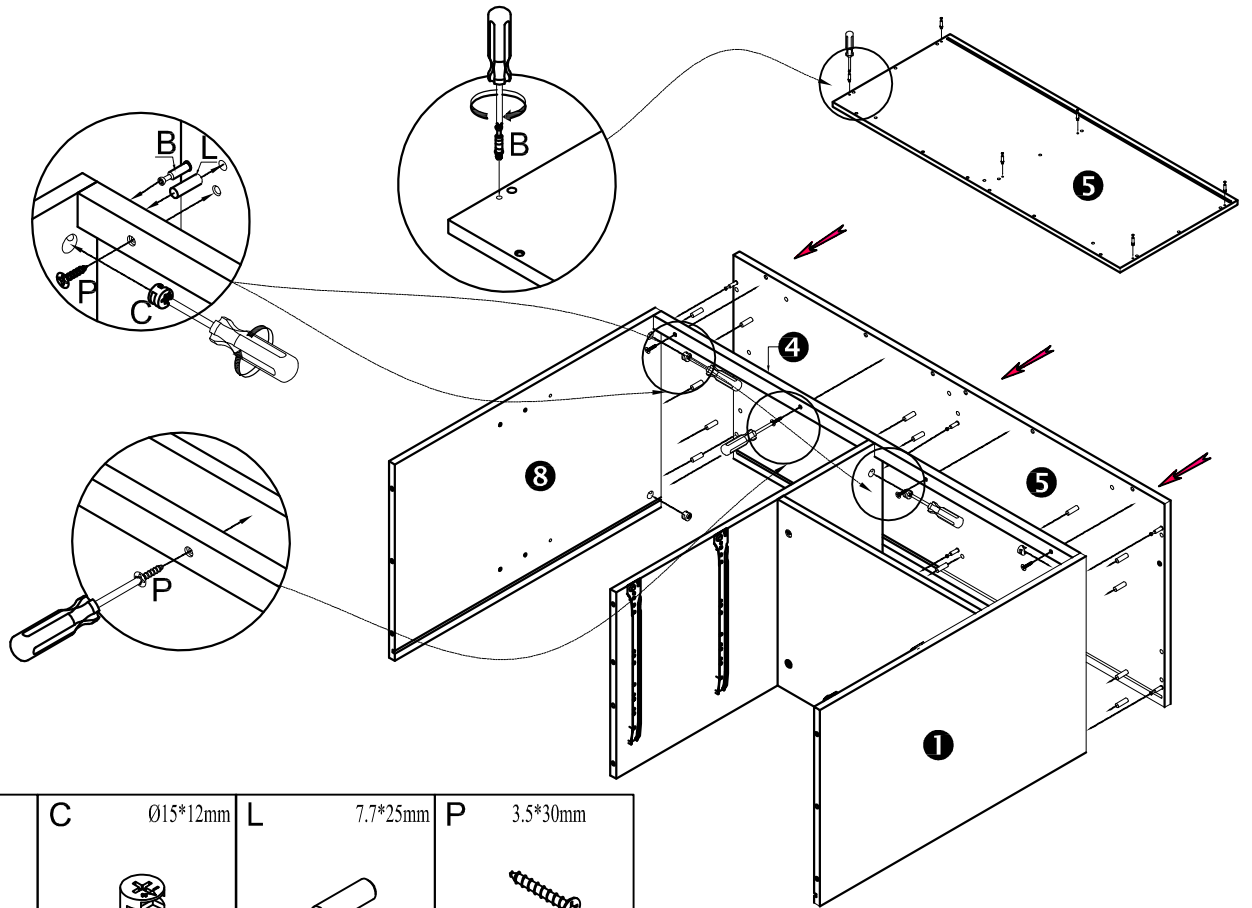
<b>A</b> M4mm  x 1	<b>B</b> 3.5*20mm  x 10	<b>C</b> Ø15*12mm  x 10				
<b>D</b>  x 3	<b>E</b> 3.5*20mm  x 6	<b>F</b> M6*70 mm  x 4	<b>G</b> 6*15mm  x 4	<b>H</b> 3*12mm  x 8	<b>I</b>  x 2	
<b>K</b>  x 8	<b>L</b> 7.7*25mm  x 27	<b>M</b> Ø15*10mm  x 8	<b>N</b> 4*50mm  x 10	<b>O</b>  x 4	<b>P</b> 3.5*30mm  x 29	





1



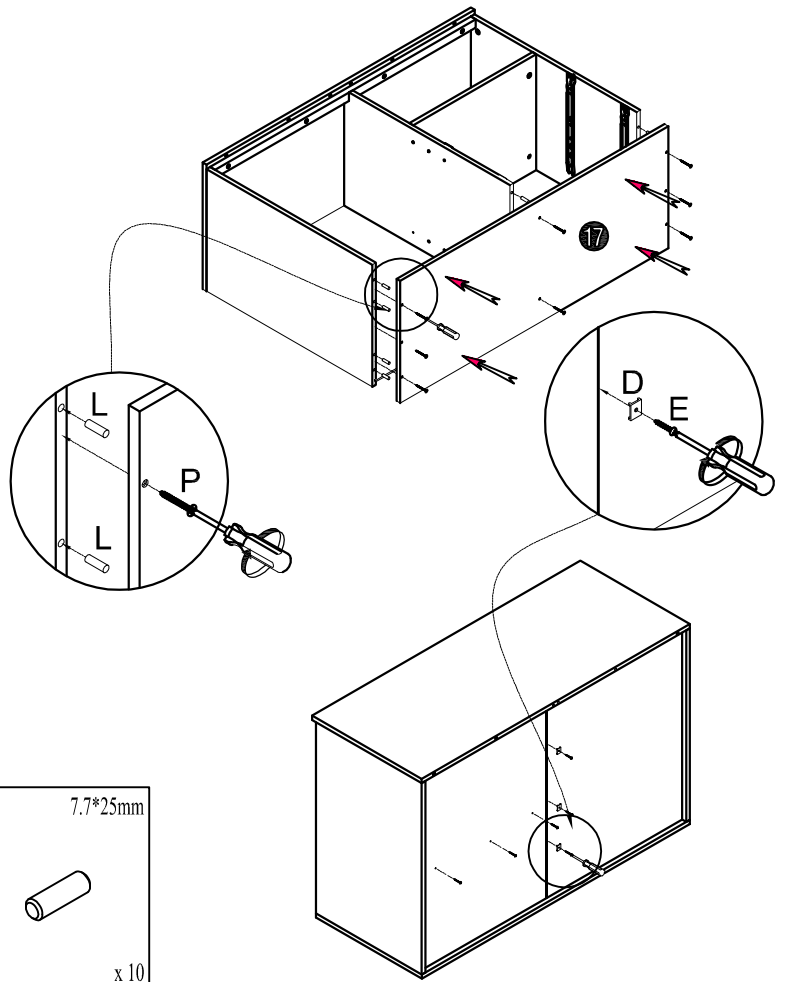
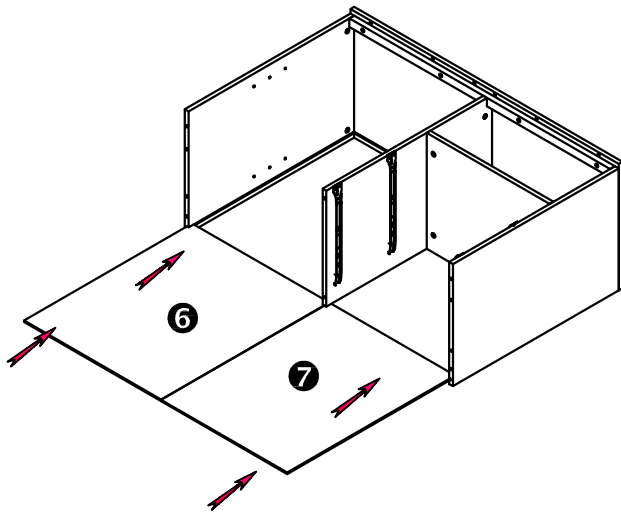
<b>B</b>	<b>C</b> Ø15*12mm	<b>L</b> 7.7*25mm
		
x4	x4	x4

2



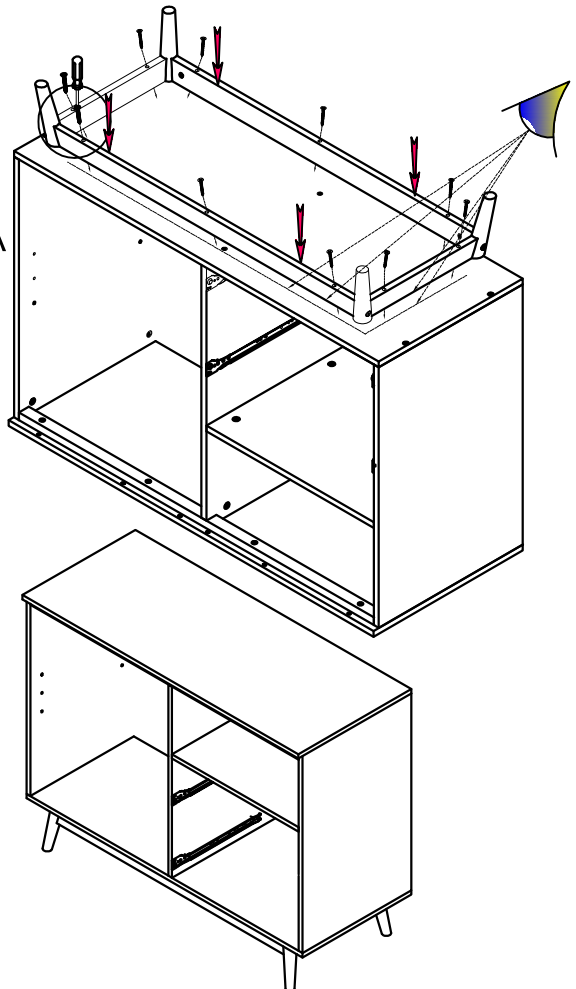
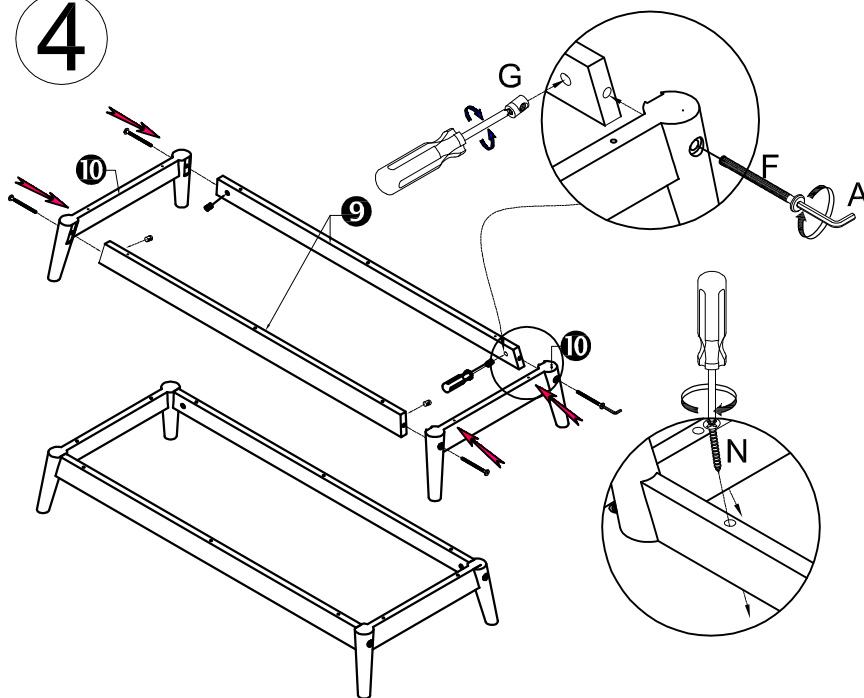
<b>B</b>	<b>C</b> Ø15*12mm	<b>L</b> 7.7*25mm	<b>P</b> 3.5*30mm
			
x6	x6	x13	x4

3



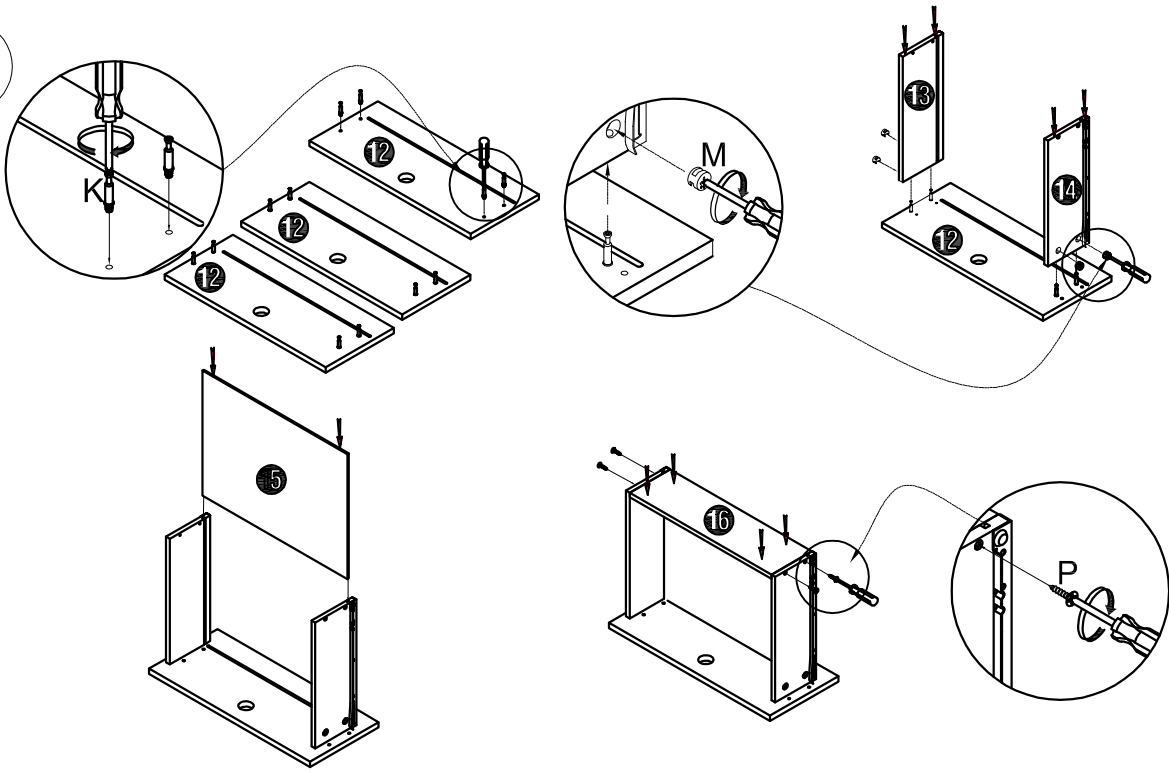
D	E	P	L
	3.5*20mm 	3.5*30mm 	7.7*25mm 
x 3	x 6	x 8	x 10

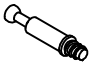


4

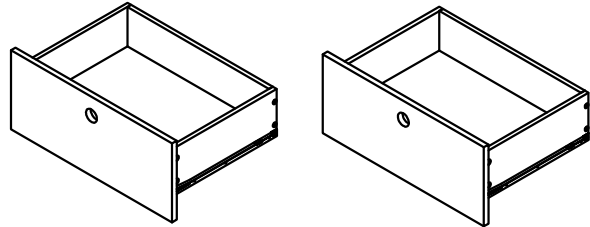


A	F	G	N
M4mm 	M6*70 mm 	6*15mm 	4*50mm 
x 1	x 4	x 4	x 10

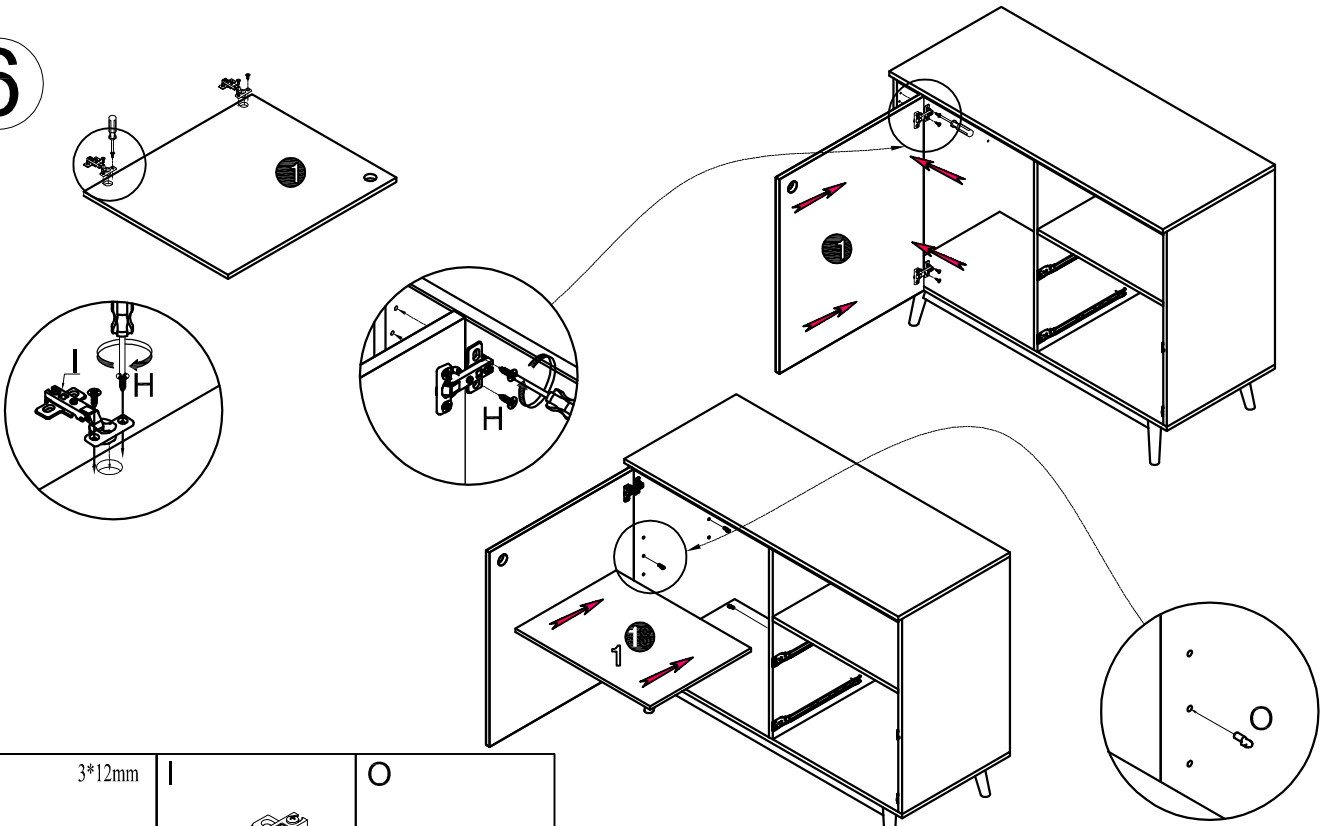
5


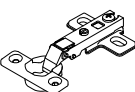



<b>K</b>	<b>M</b> Ø15*10mm	<b>P</b> 3.5*30mm
		
x 8	x 8	x 8

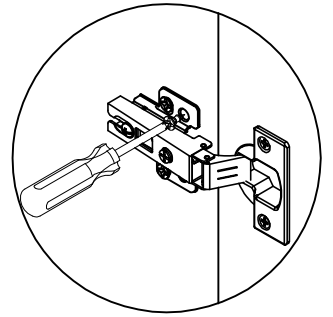
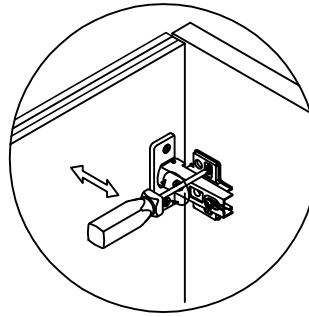
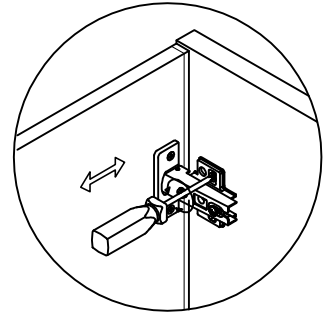
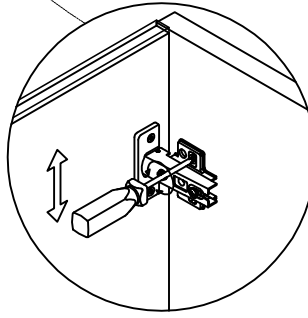
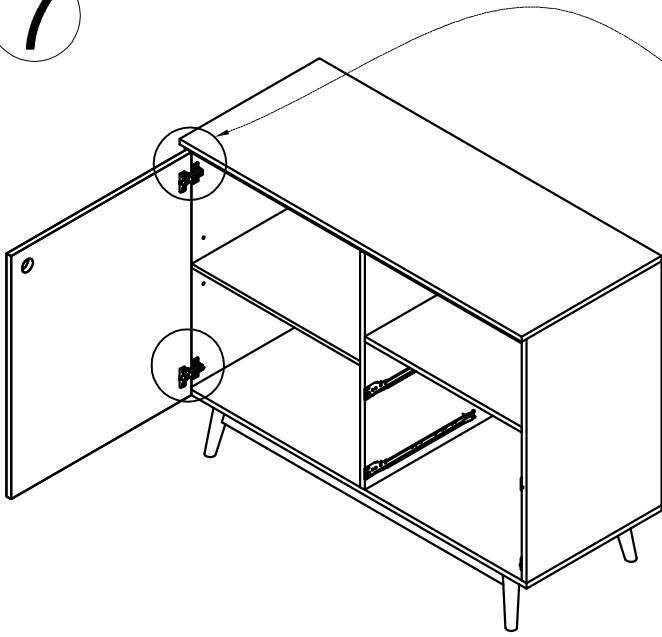


6



<b>H</b> 3*12mm	<b>I</b>	<b>O</b>
		
x 8	x 2	x 4

7



8

