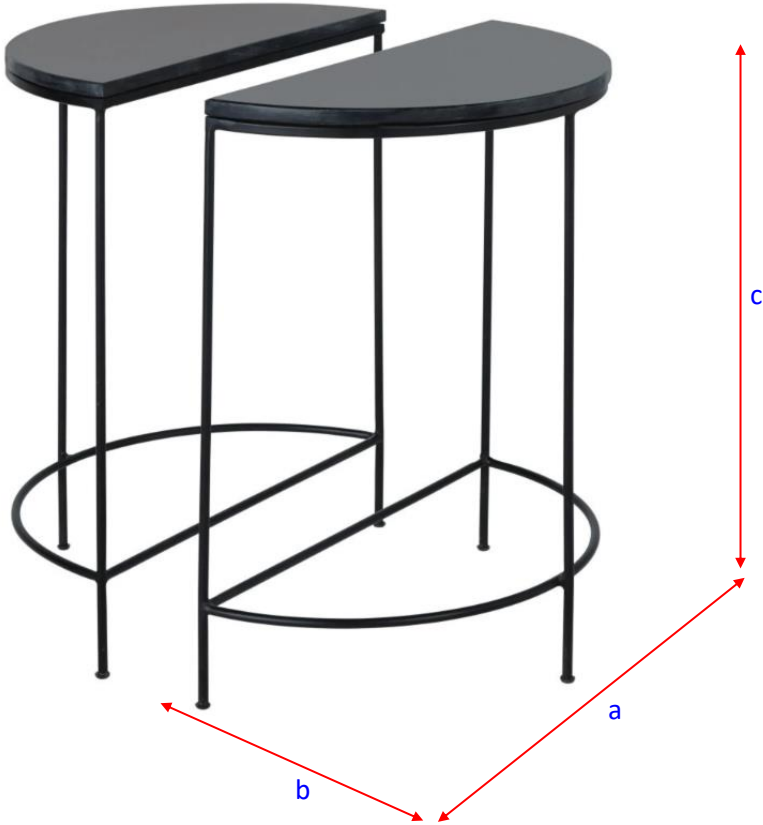
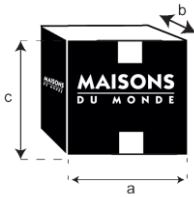


MIDTOWN

199950-199953

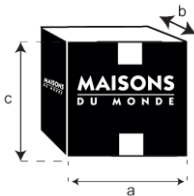


a = 50 cm
b = 25 cm
c = 60 cm



X 1

a = 59 cm
b = 13 cm
c = 38 cm
= 12 Kg



X 1

a = 61 cm
b = 61 cm
c = 69 cm
= 8 Kg