

BUTTERFLY

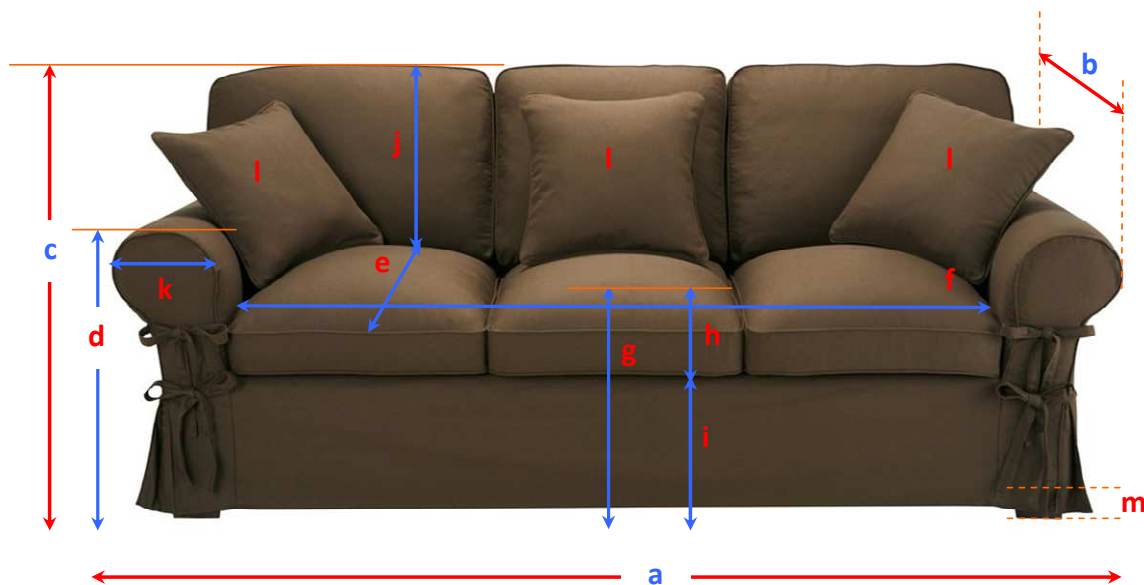
124 957 / 124 958 / 124 959 / 124 960

124 961 / 124 962 / 124 963 / 124 965

124 968 / 124 972 / 124 974



= 63 Kg



a = 219 cm

b = 88 cm

c = 89 cm

d = 64 cm

e = 52 cm

f = 167 cm

g = 54 cm

h = 22 cm

i = 32 cm

j = 44 cm

k = 22 cm

l = 45 x 45 cm

m = 6,5 cm

