

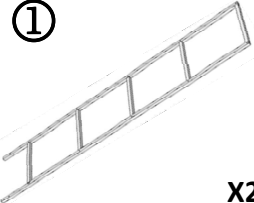


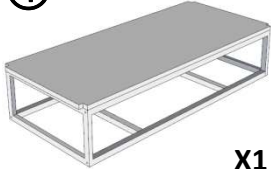
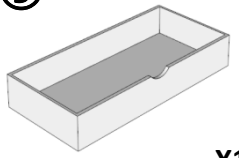




| | | | | |
|---|--|---|---|--|
|  40 MIN |  | ①  X2 | ②  X1 | ③  X3 |
| ④  X1 | ⑤  X1 | A  X24 | B  X1 | |

