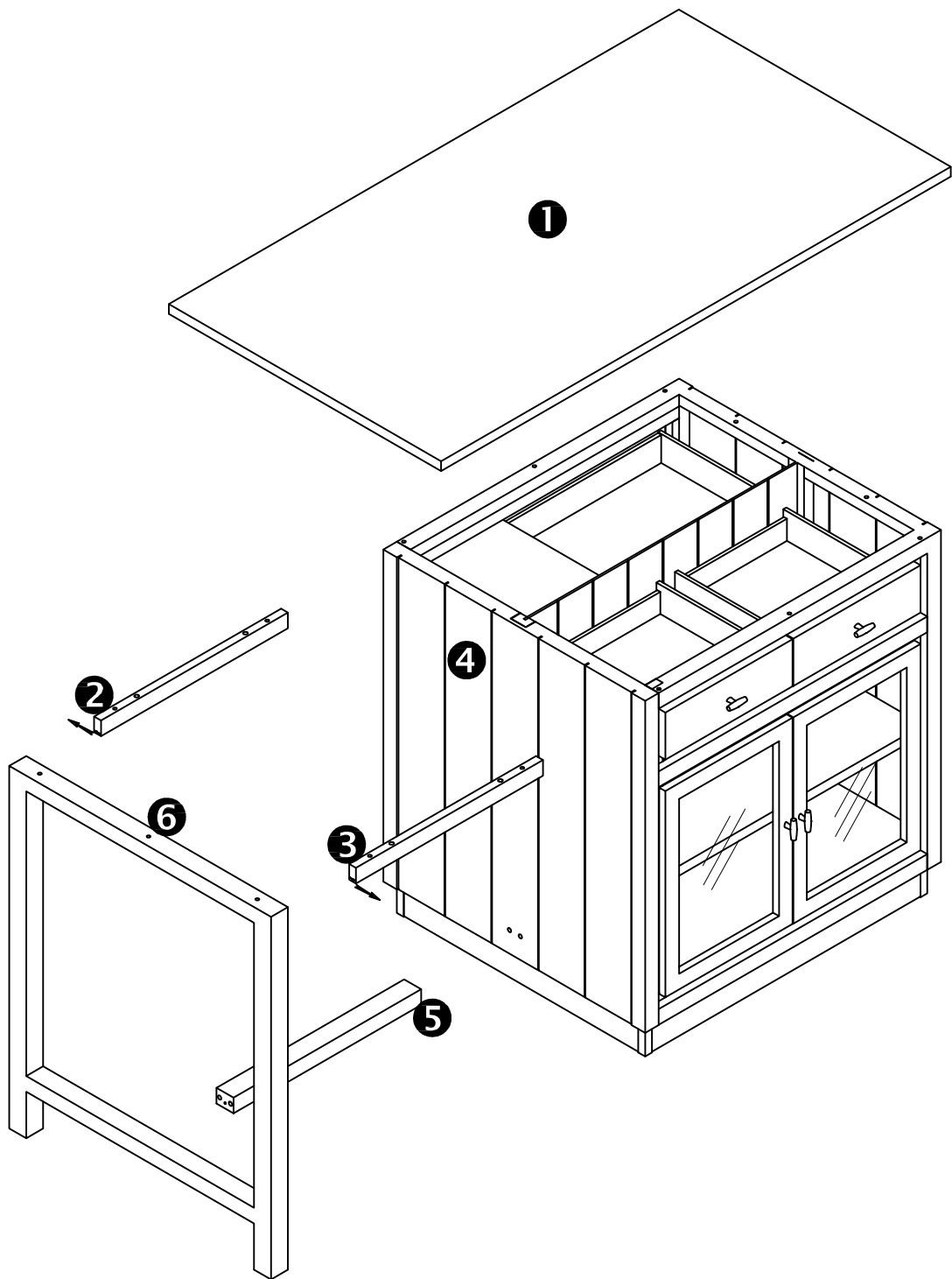



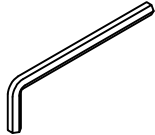

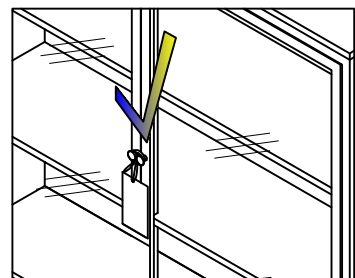
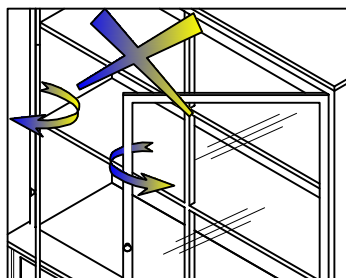
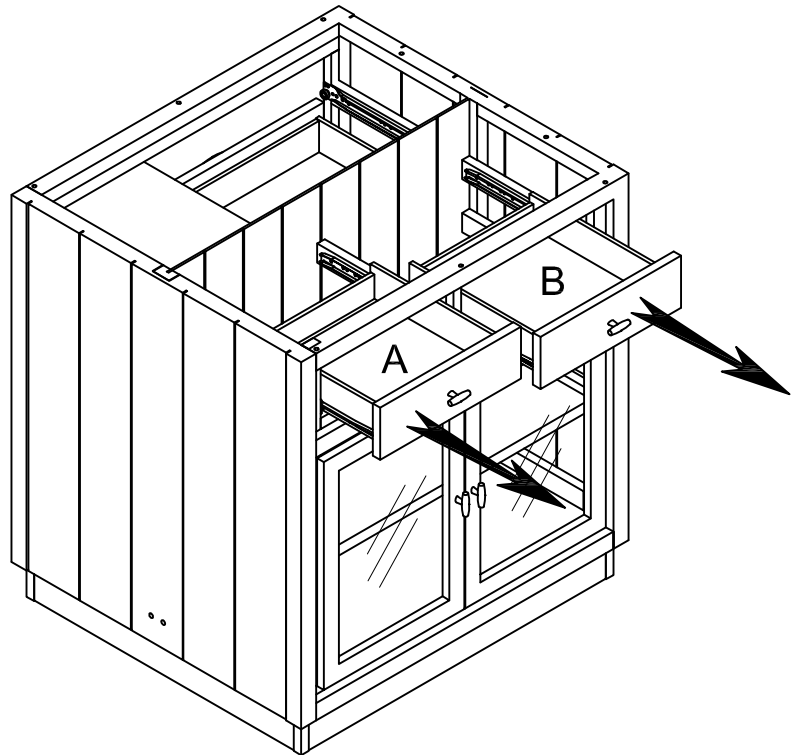
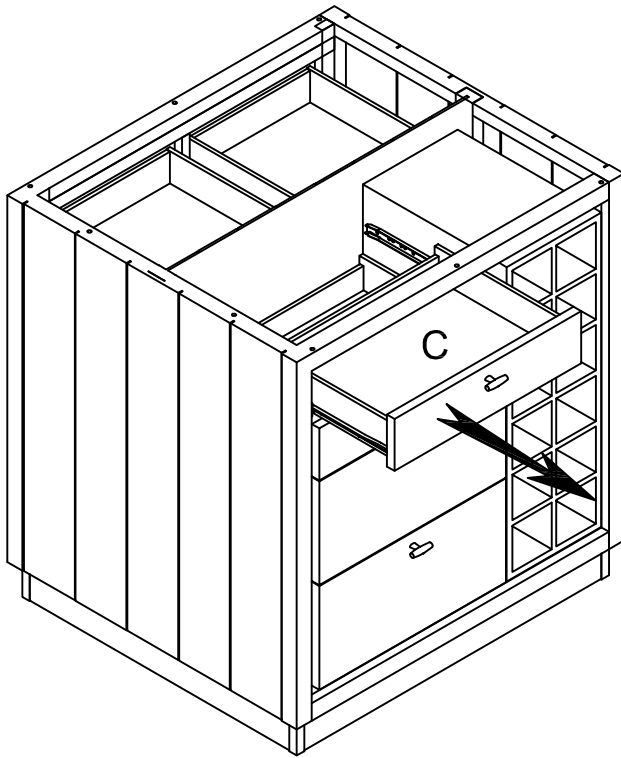


 30 MIN		
--	---	---

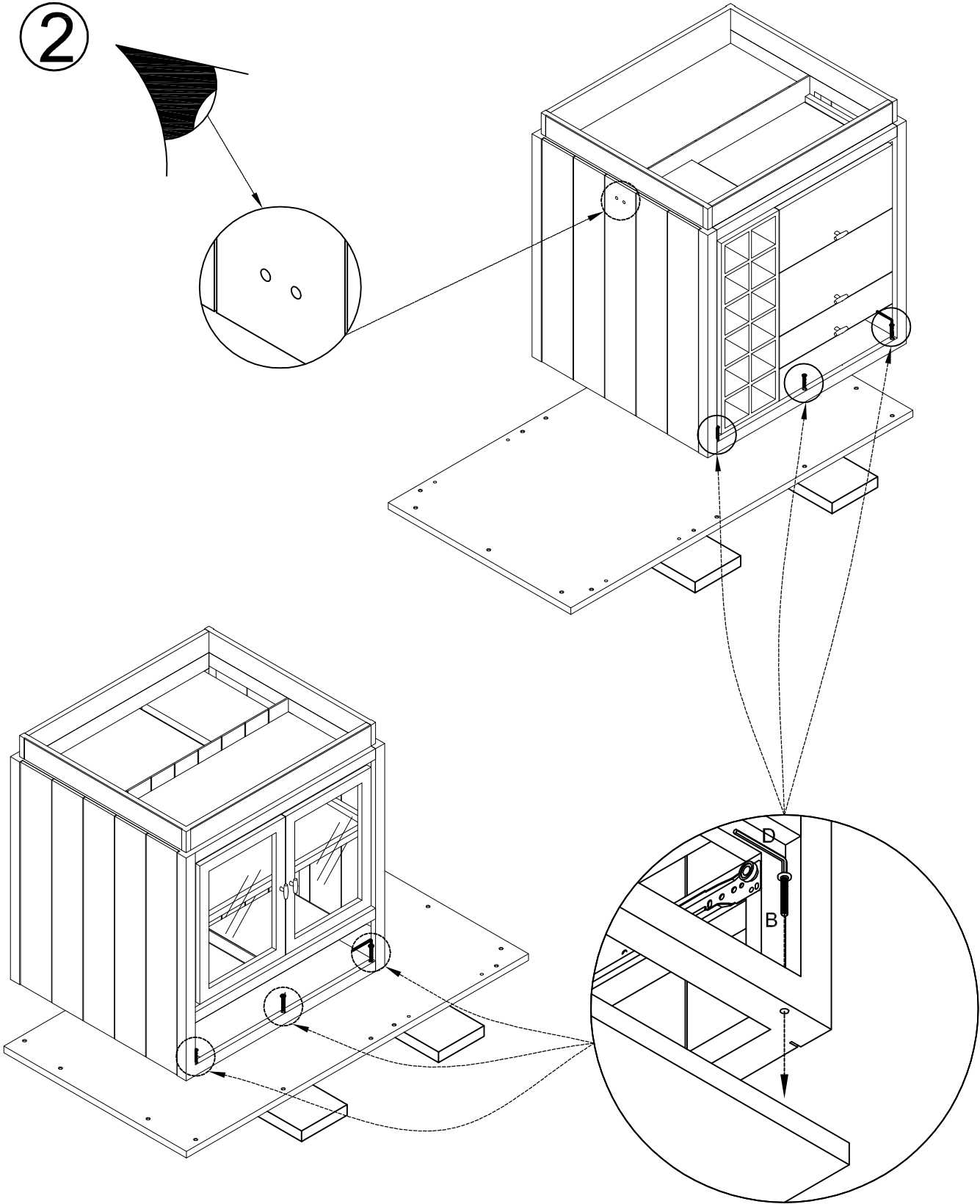



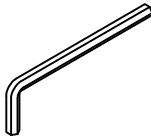
<p>A    <math>\varnothing 9.7 * 30\text{mm}</math></p>  <p>x 8</p>	<p>B    <math>M6 * 50\text{mm}</math></p>  <p>x 13</p>	<p>C    <math>M6 * 40\text{mm}</math></p>  <p>x 2</p>	<p>D    <math>M4 * 100\text{mm}</math></p>  <p>x 1</p>	<p>E    <math>4 * 40\text{mm}</math></p>  <p>x 2</p>
---	---	--	---	---

1

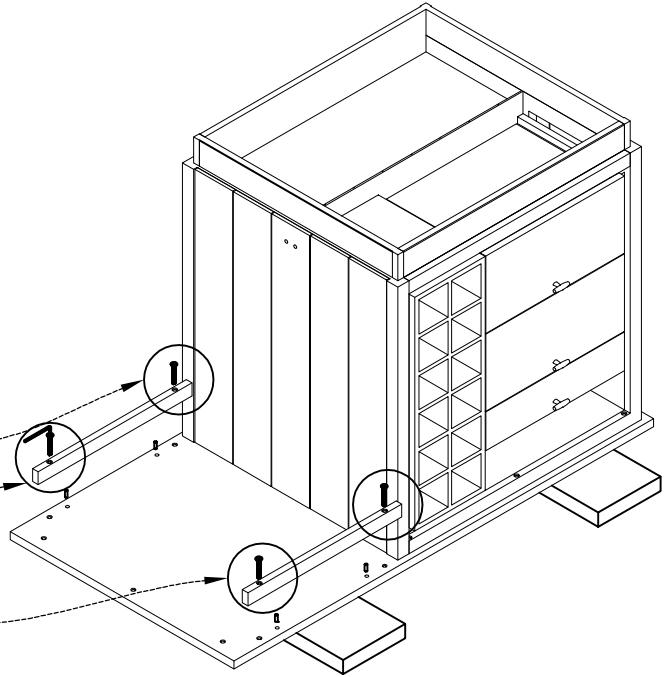
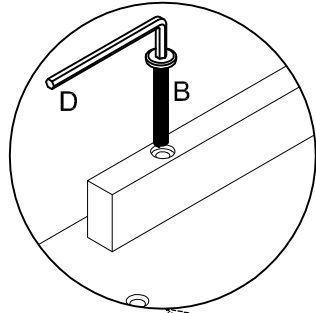


2



B M6 *50mm	D M4 *100mm
	
x 6	x 1

3



A Ø9.7 \* 30mm

B M6 \*50mm

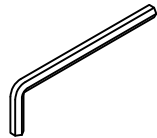
D M4 \*100mm



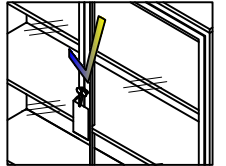
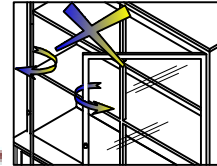
x 4



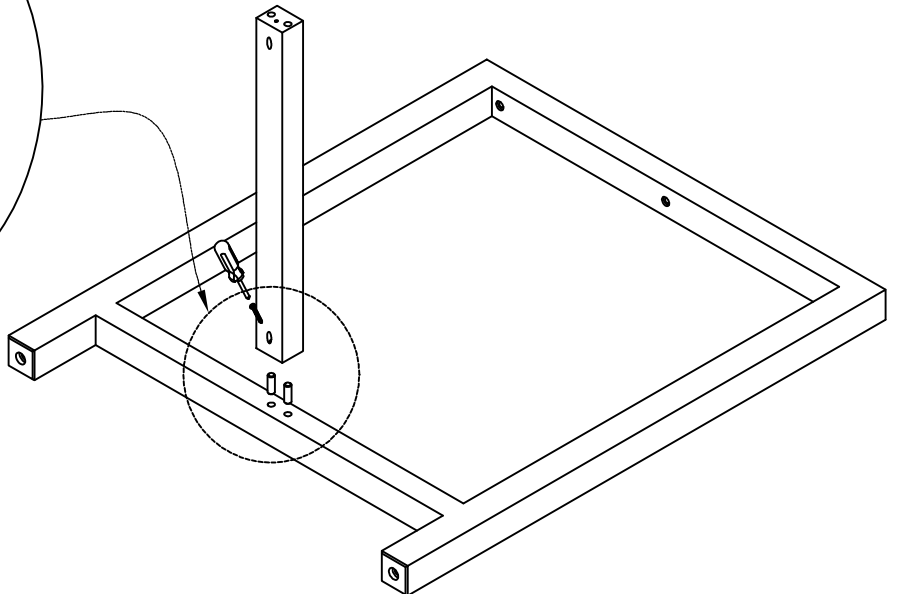
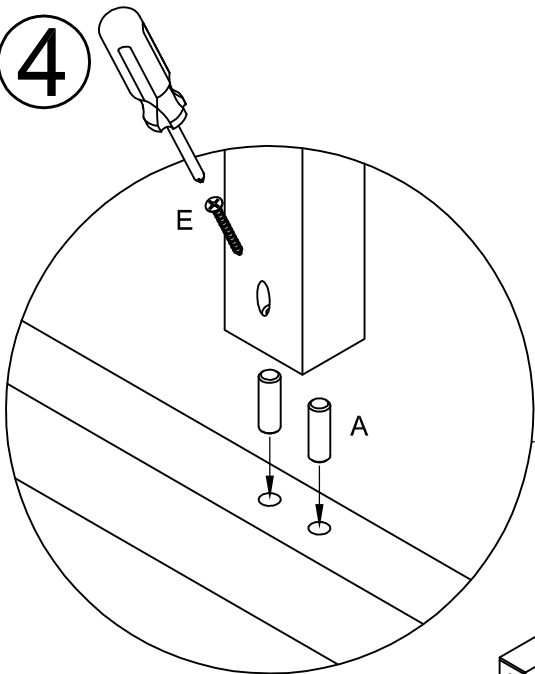
x 4



x 1



4



A Ø9.7 \* 30mm

E 4 \*40mm

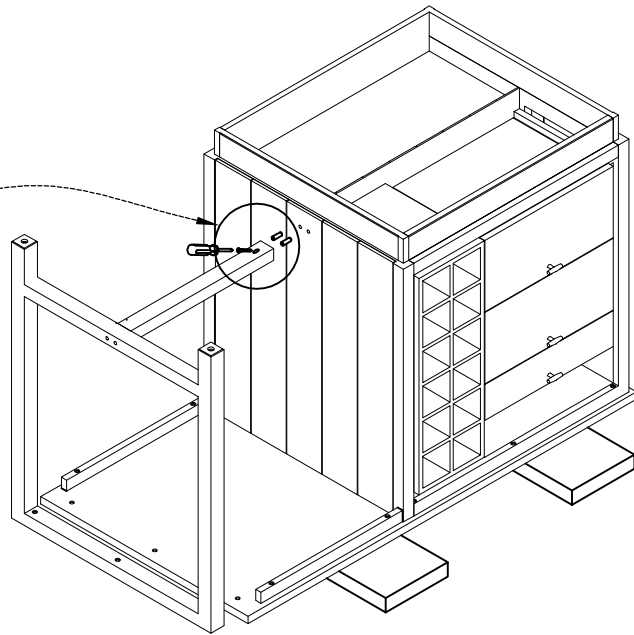
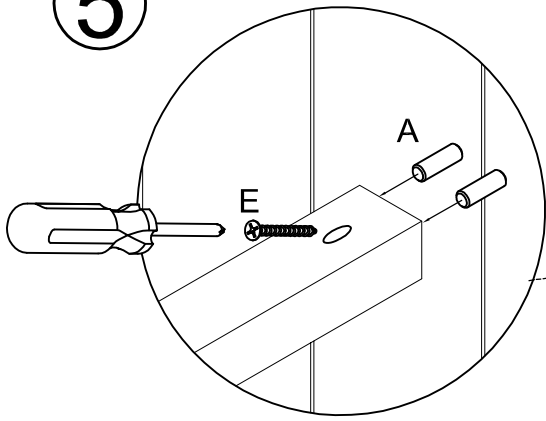




x 2



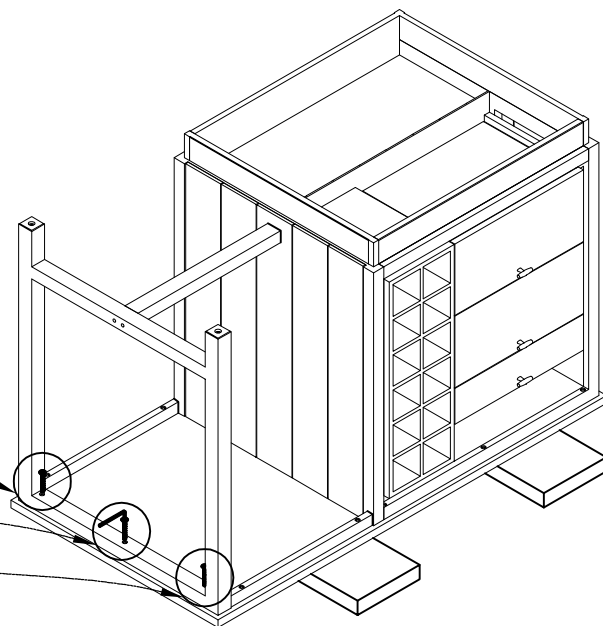
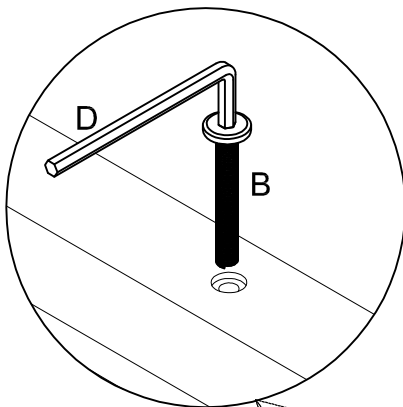
x 1


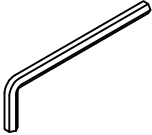
5



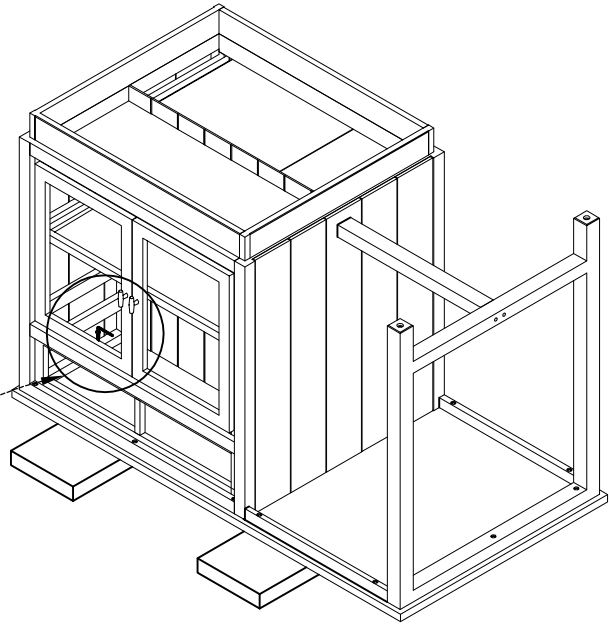
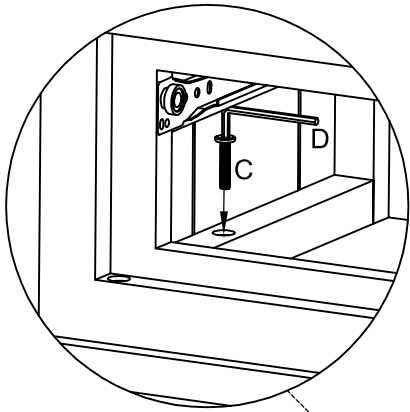
A	Ø9.7 * 30mm	E	4 * 40mm
			
	x 2		x 1

6



B	M6 * 50mm	D	M4 * 100mm
			
	x 3		x 1

7

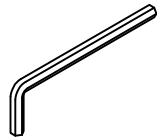


C M6 \*40mm

D M4 \*100mm

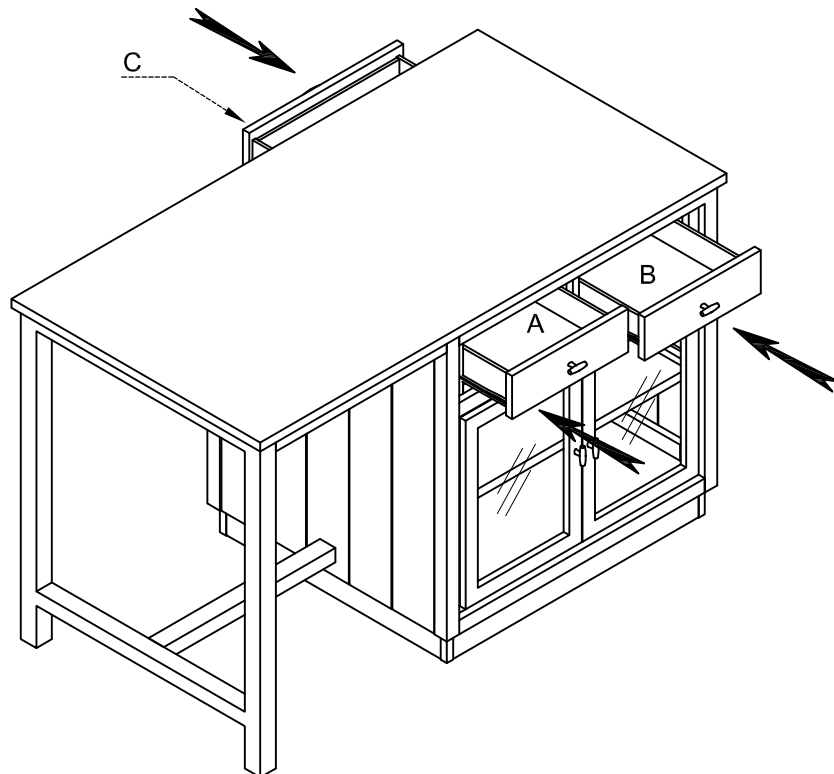


x 2



x 1

8



9

