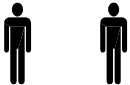
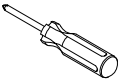
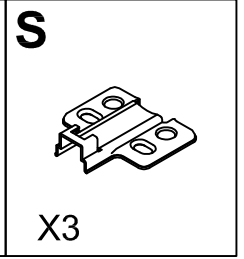
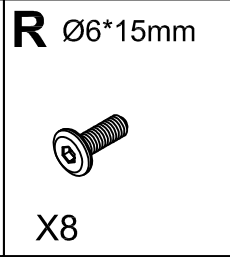
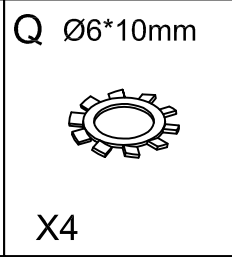
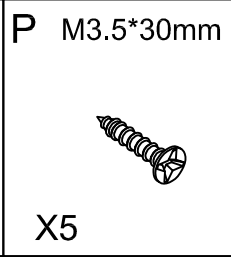
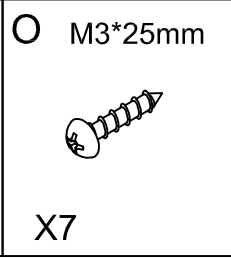
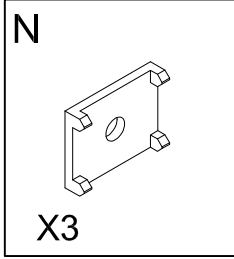
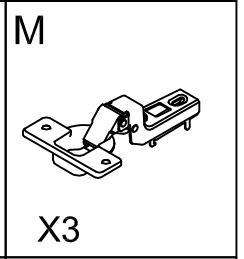
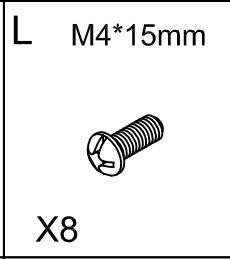
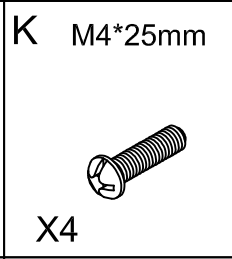
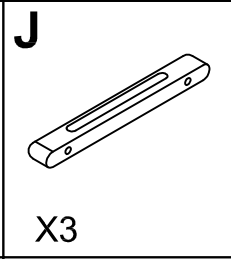
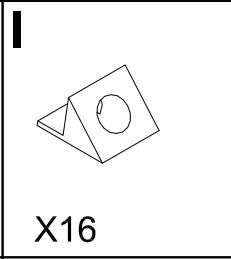
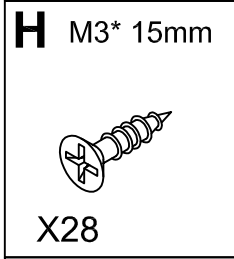
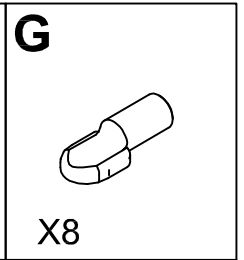
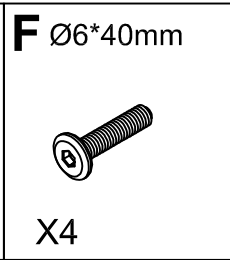
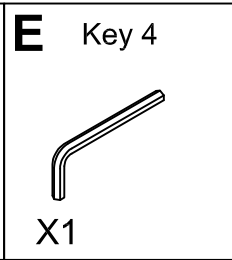
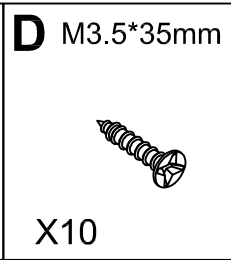
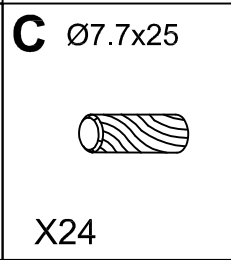
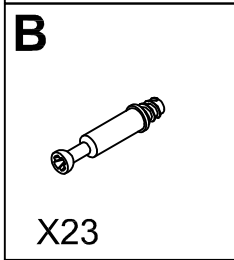
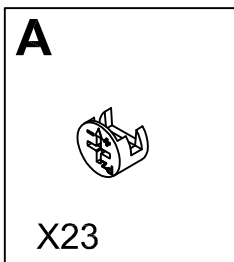
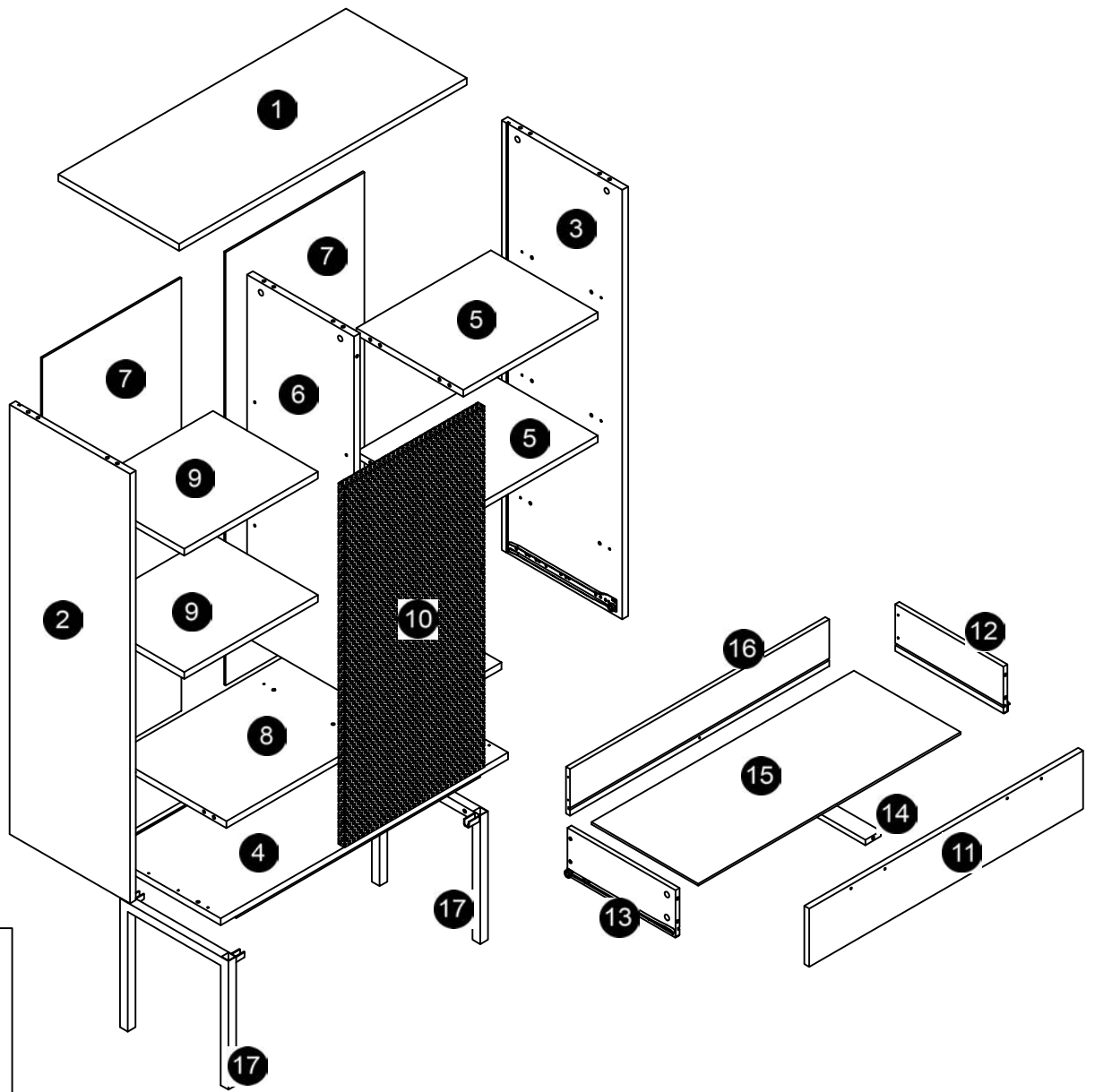
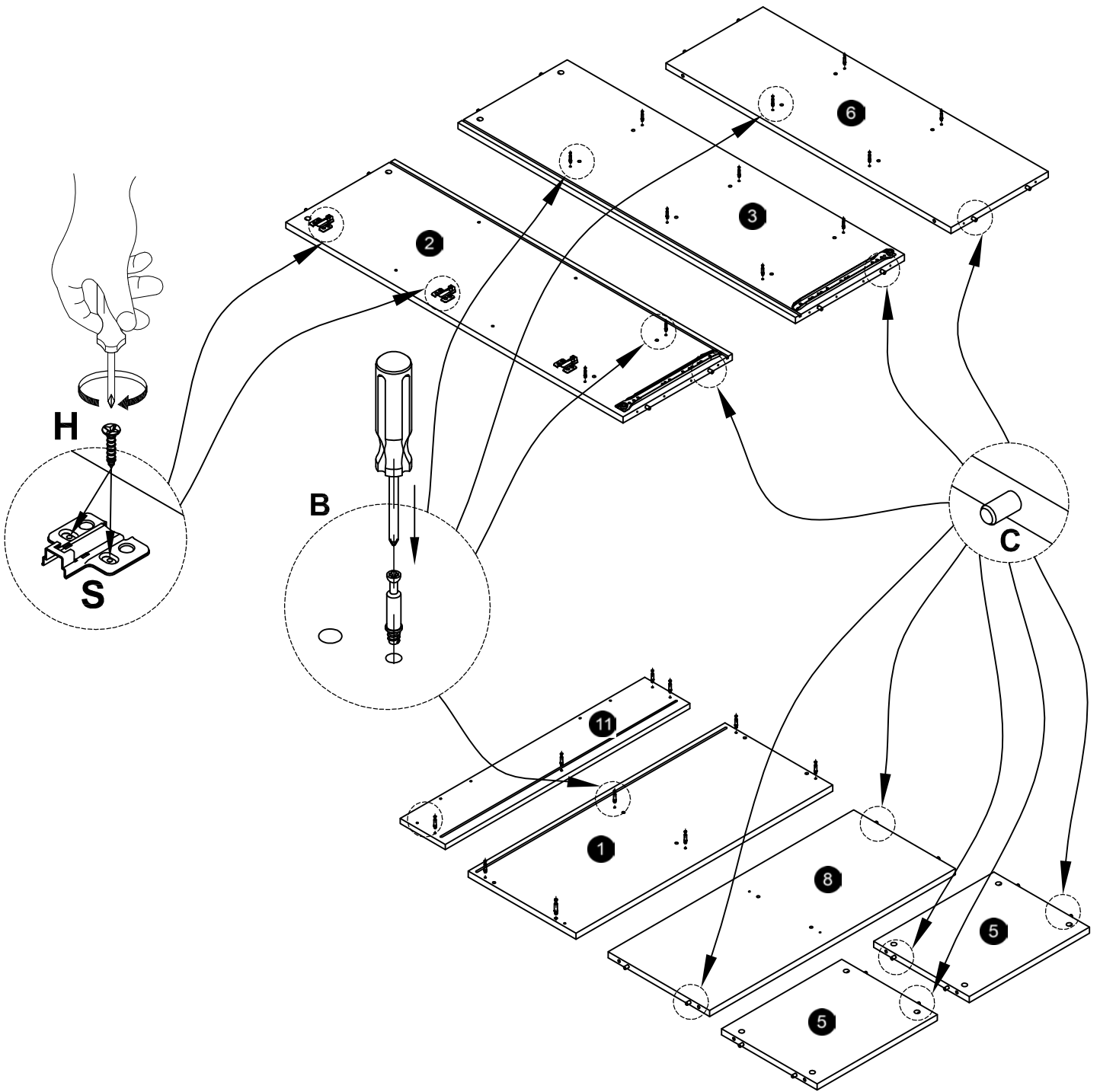


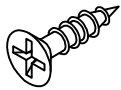
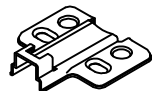
 70 MIN		
--	---	---

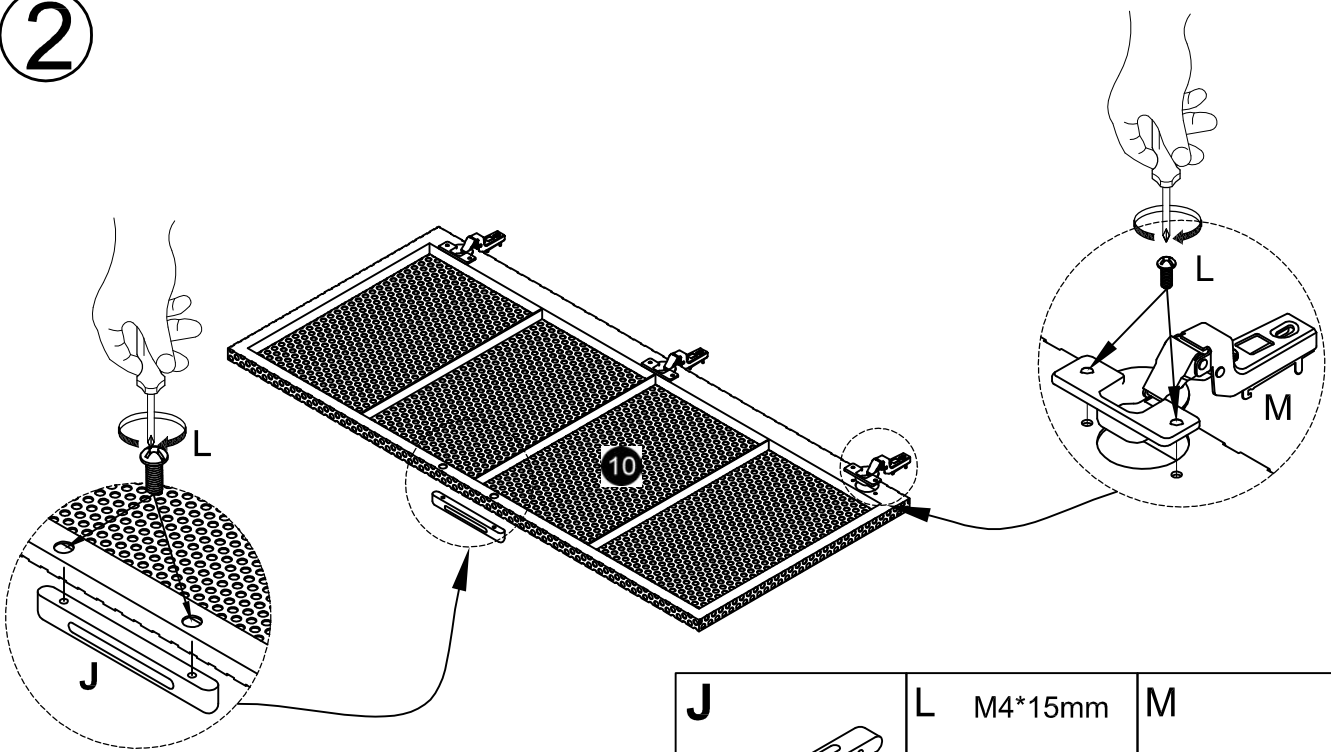


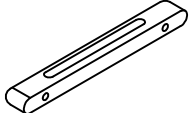


1



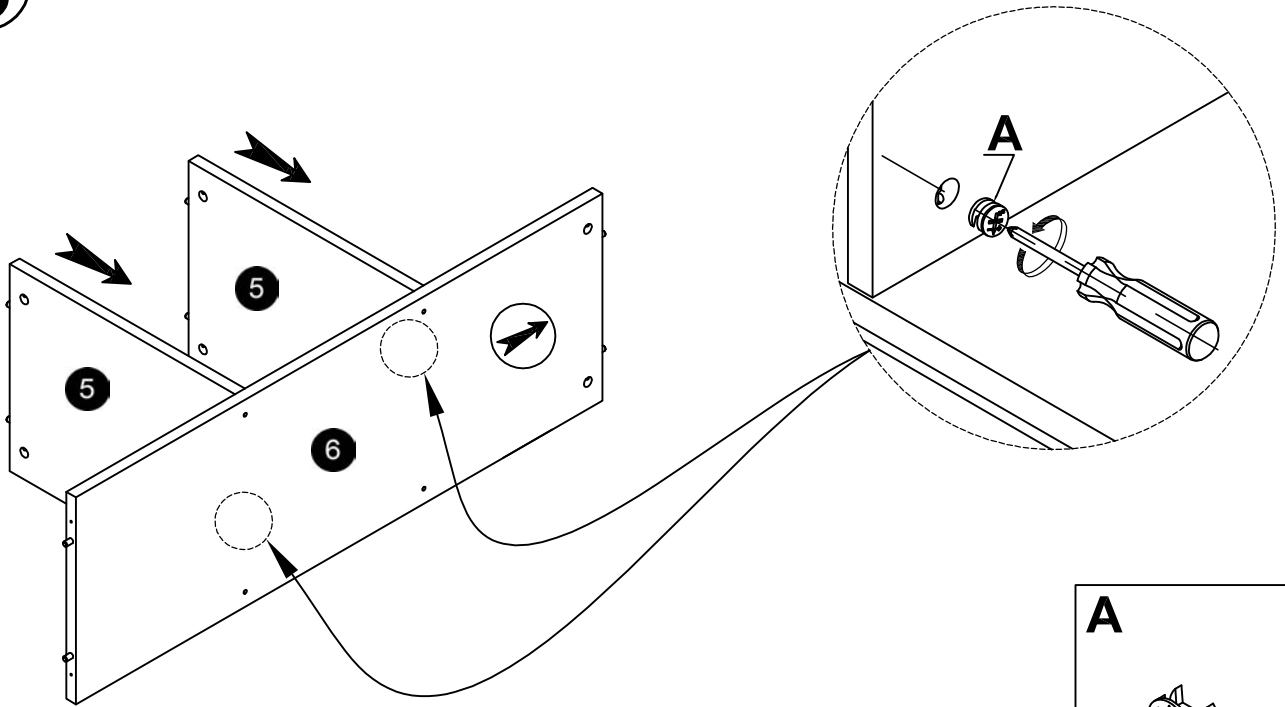
<b>B</b>  X23	<b>C</b> Ø7.7x25  X24	<b>H</b> M3* 15mm  X6	<b>S</b>  X3
--	--	--	---


2

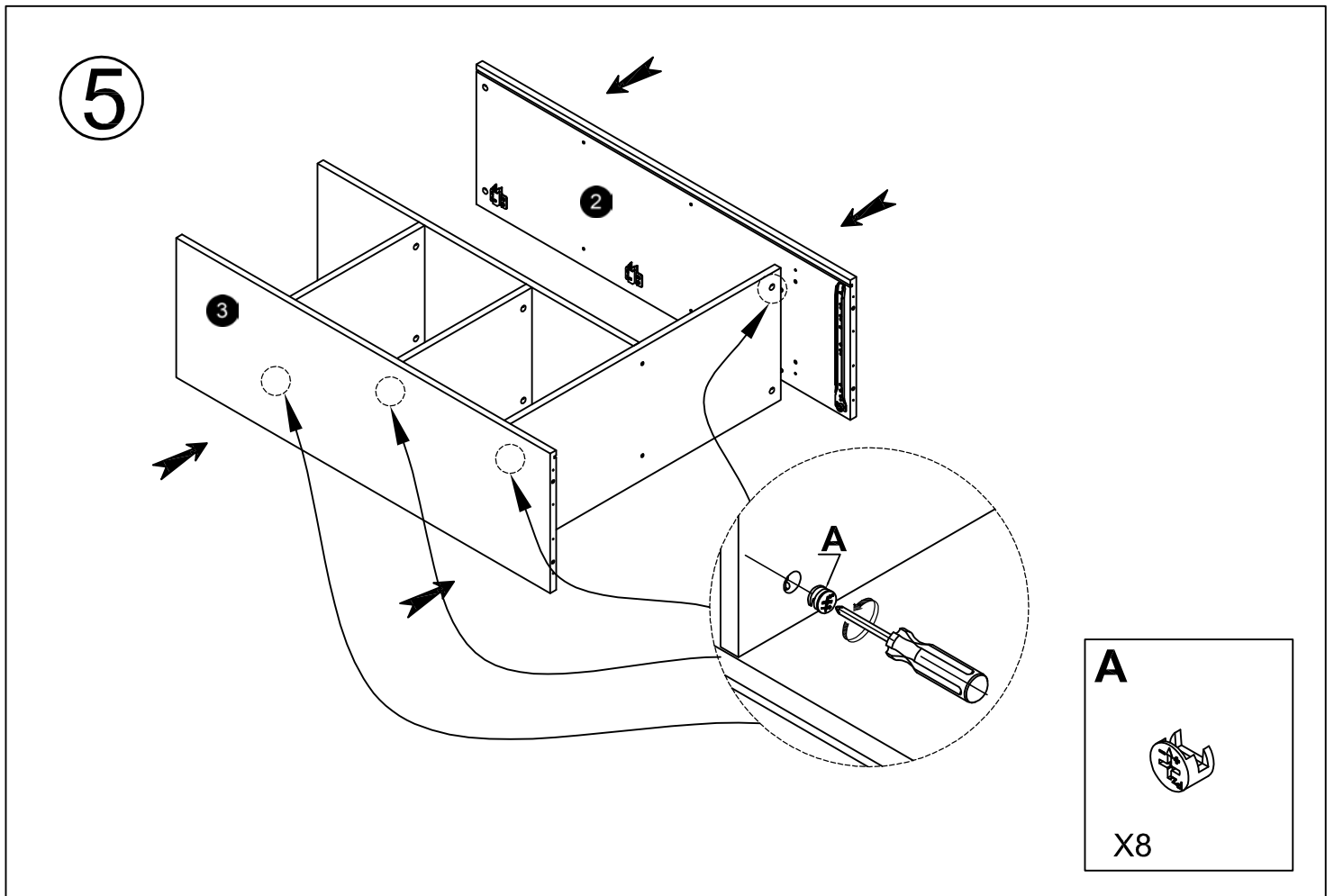
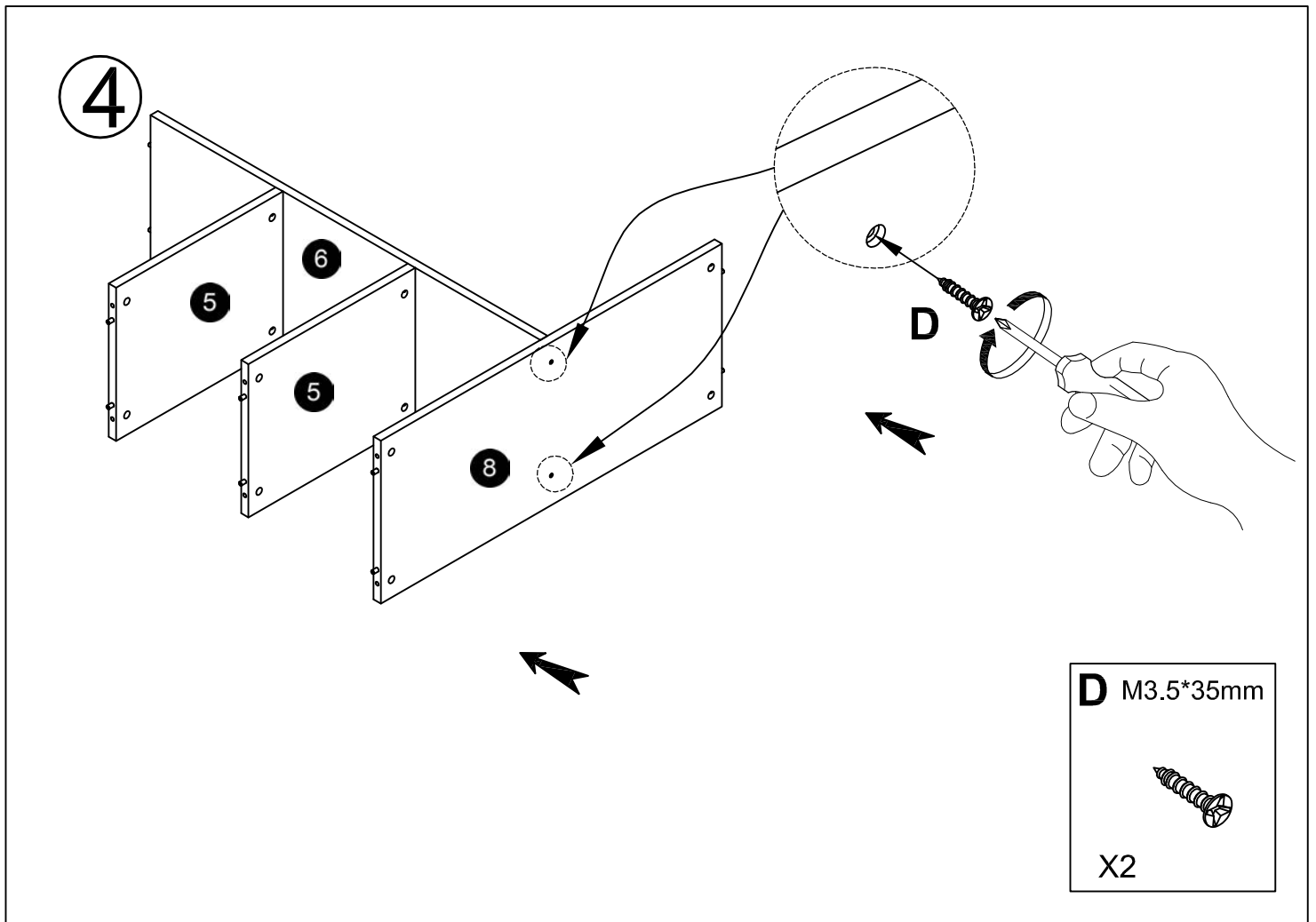


<b>J</b>  X1	<b>L</b> M4*15mm  X8	<b>M</b>  X3
--	---	---

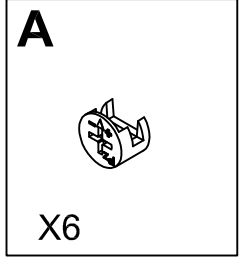
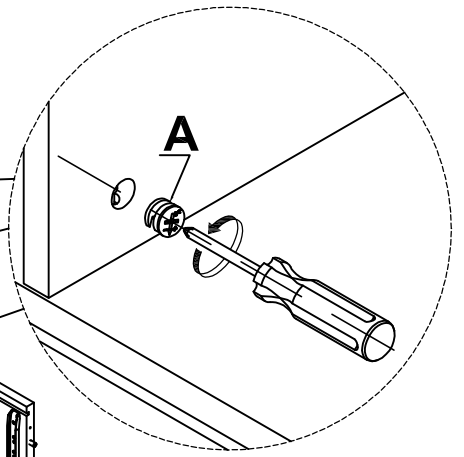
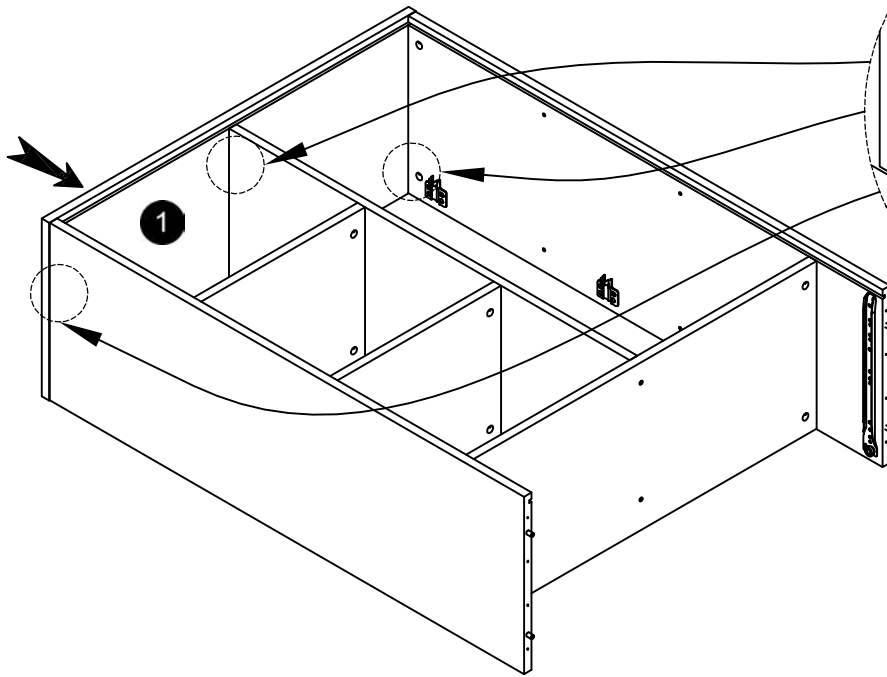
3



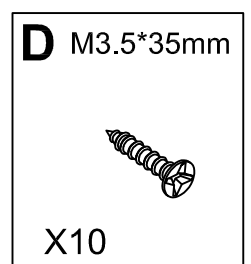
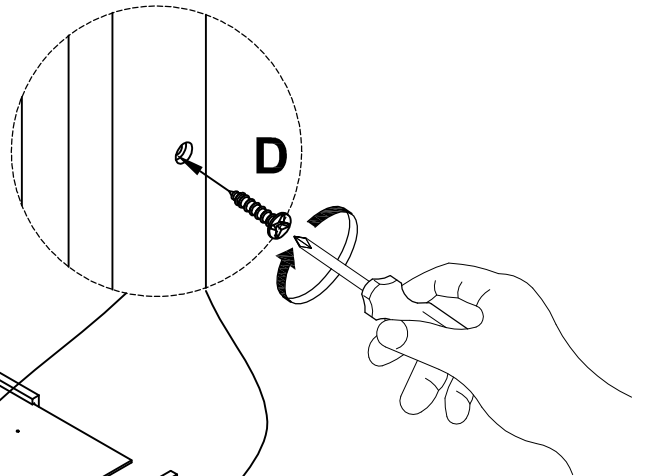
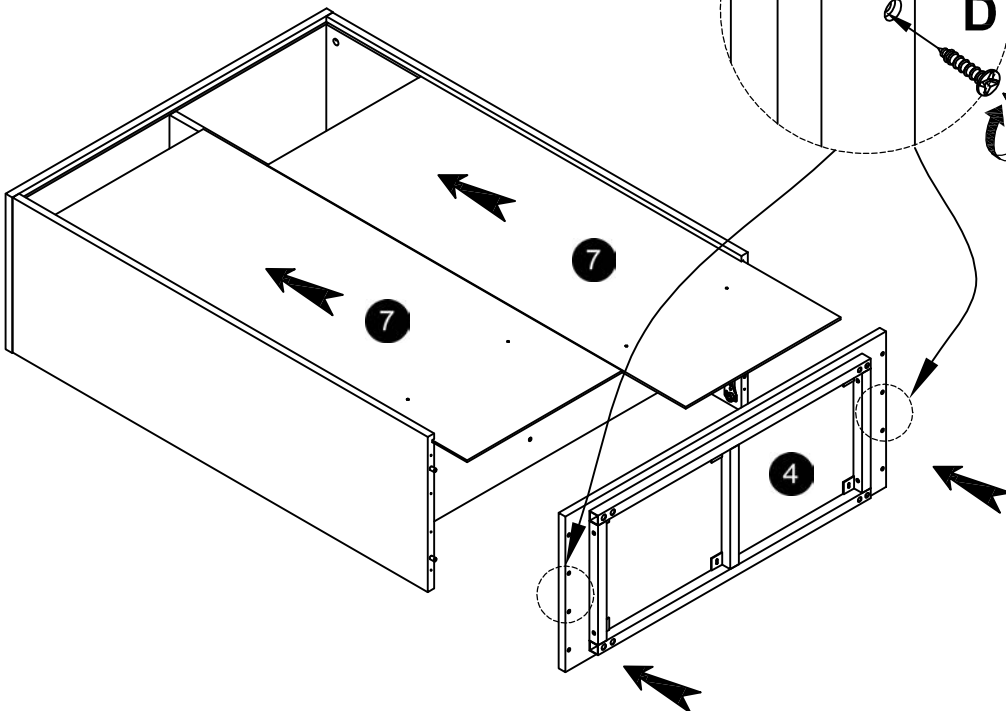
<b>A</b>  X4
---



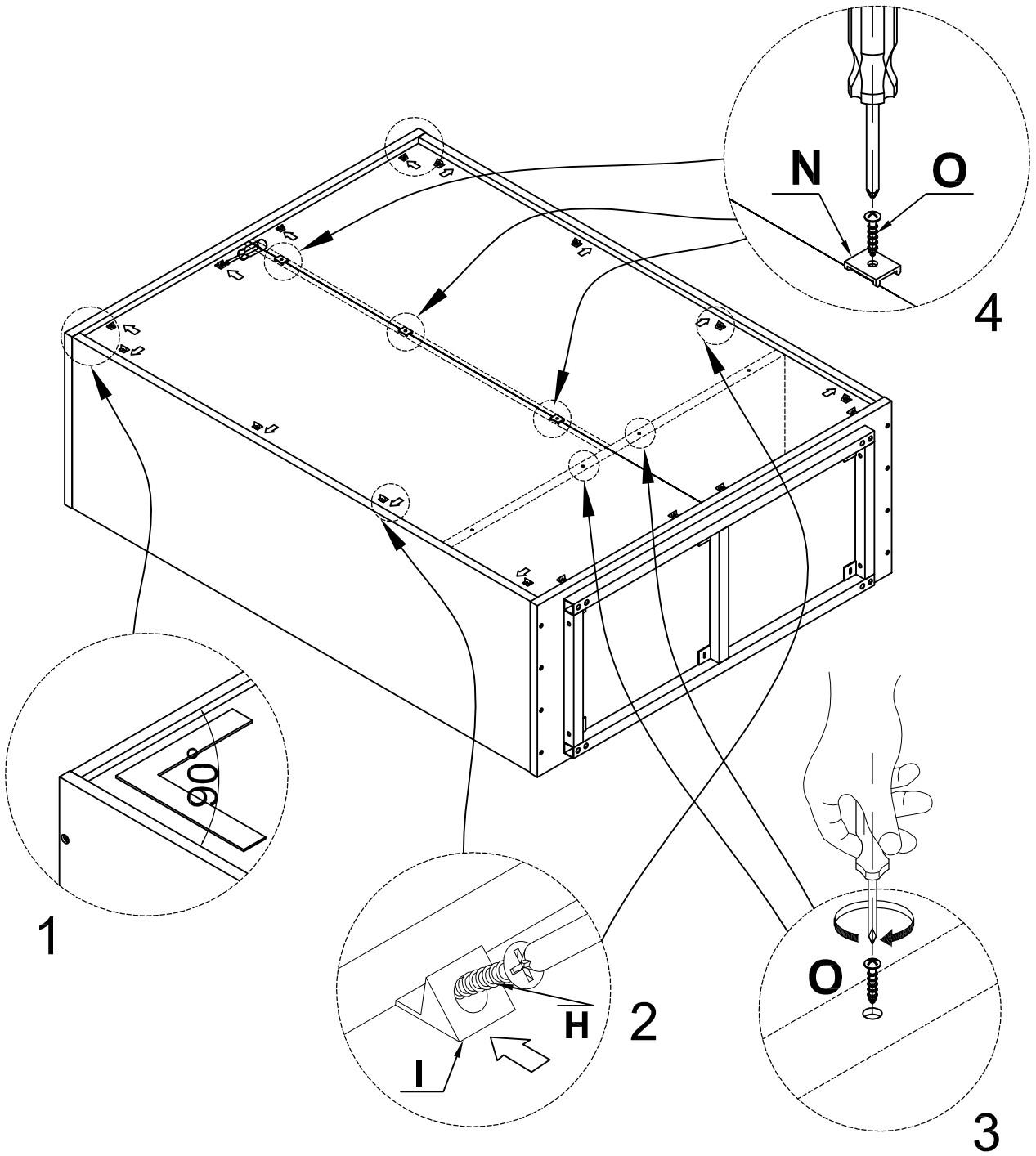
6

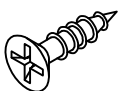
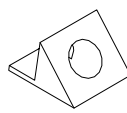
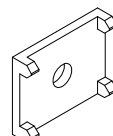
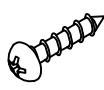


7

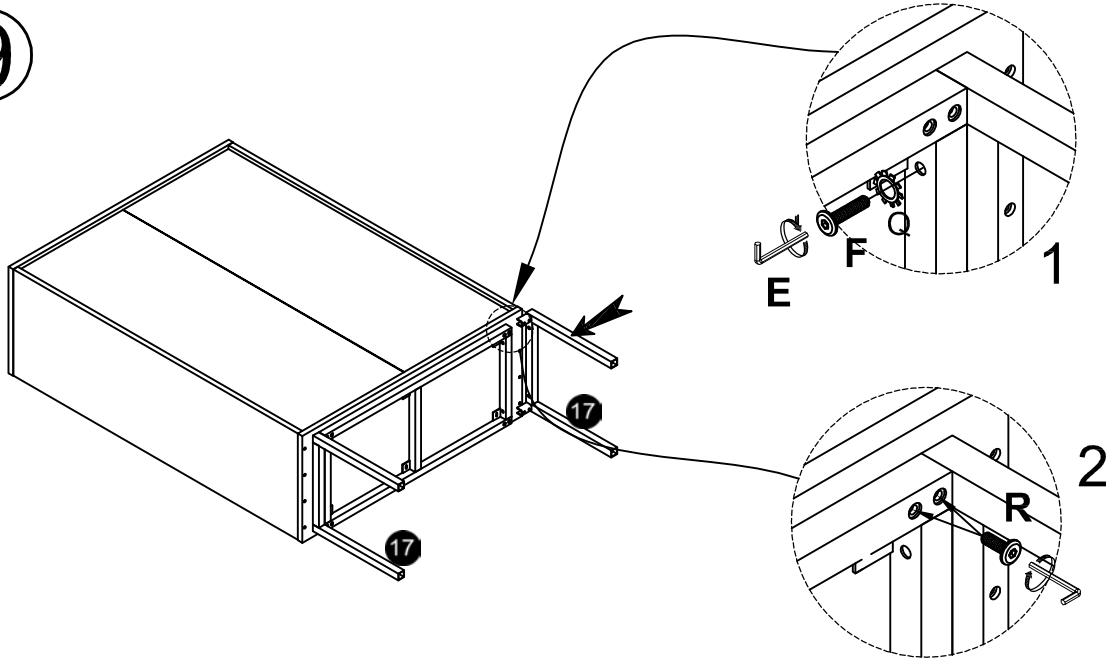


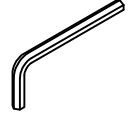
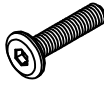
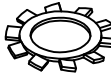

8



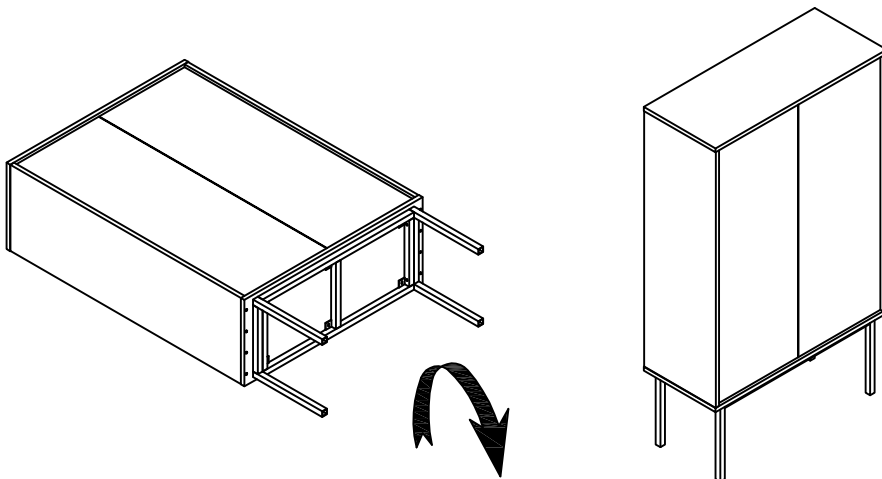
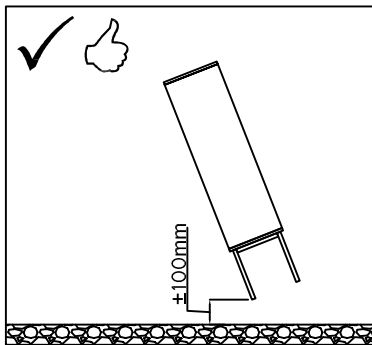
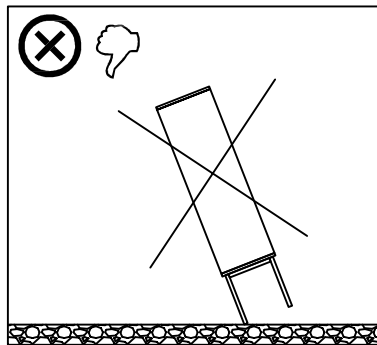
<b>H</b> M3* 15mm  X16	<b>I</b>  X16	<b>N</b>  X3	<b>O</b> M3*25mm  X7
---	--	---	---

9



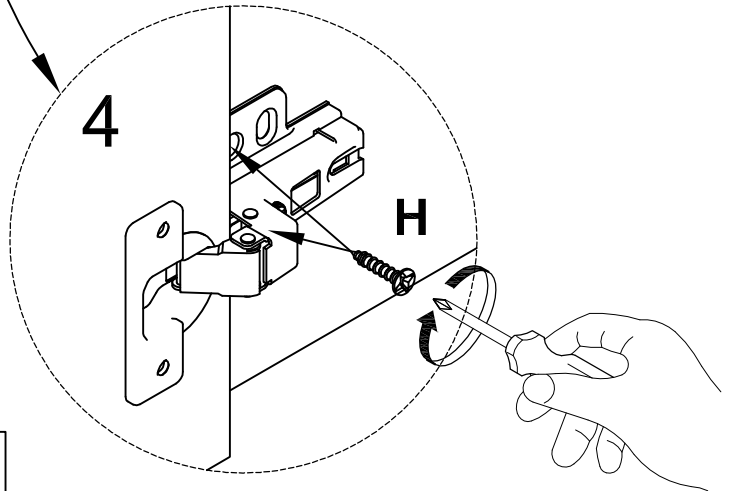
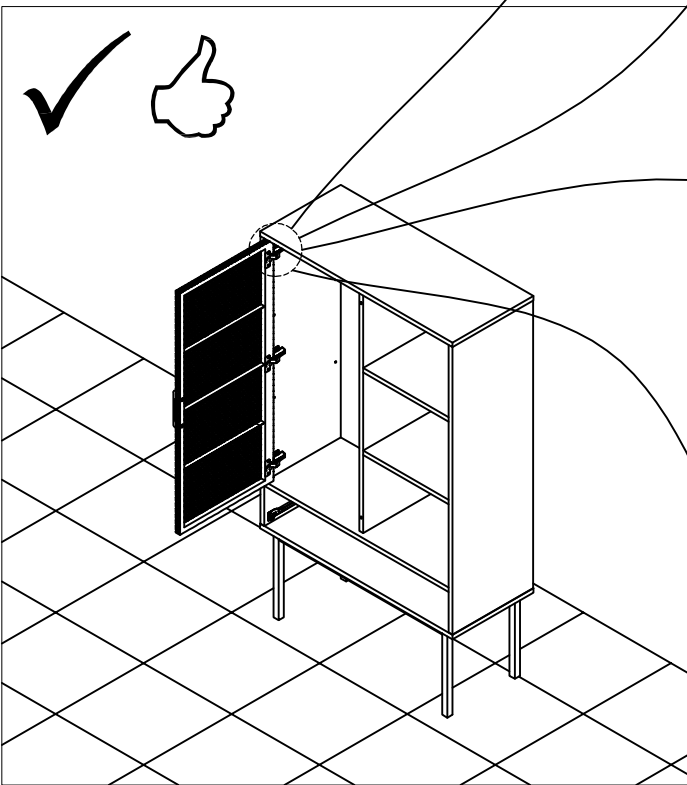
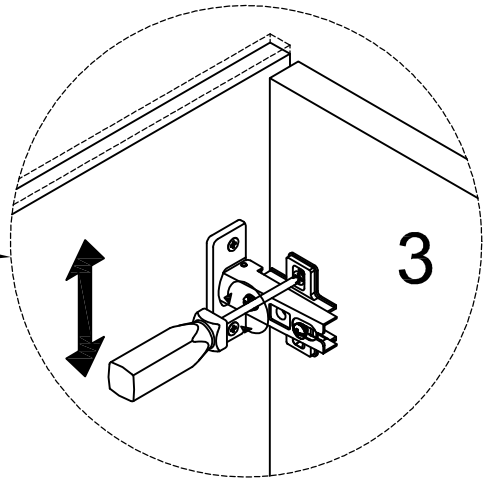
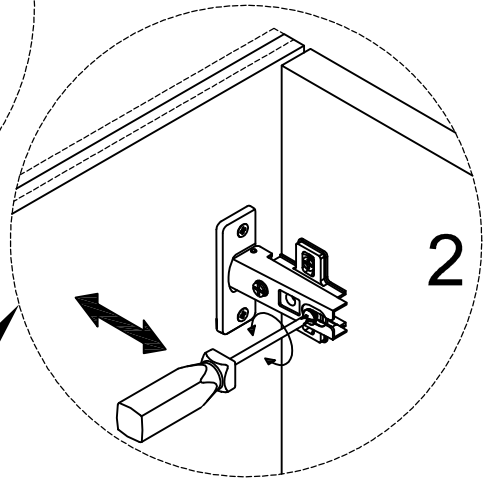
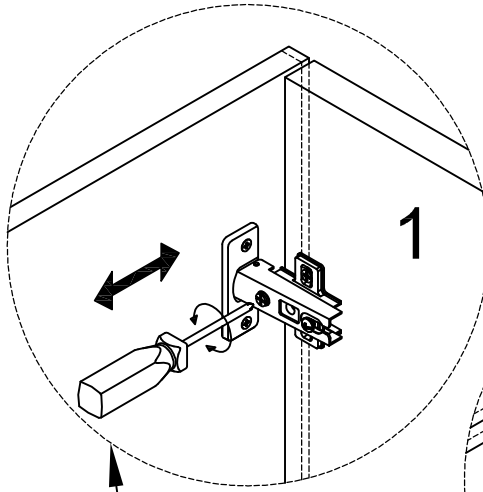
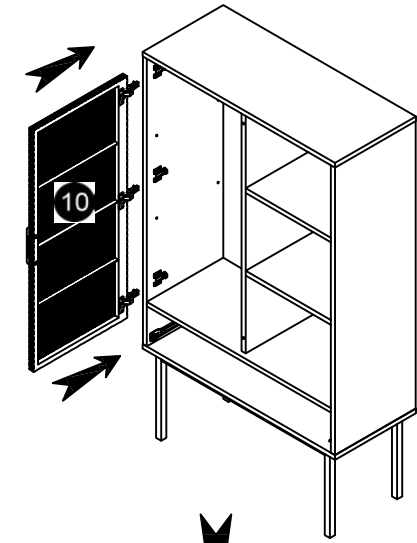
<b>E</b> Key 4  X1	<b>F</b> Ø6*40mm  X4	<b>Q</b>  X4	<b>R</b> Ø6*15mm  X8
--	---	---	---

10

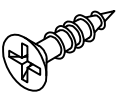




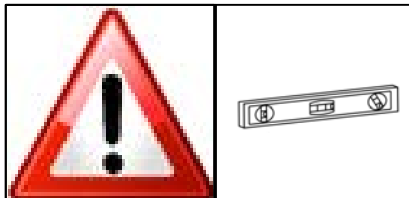
11



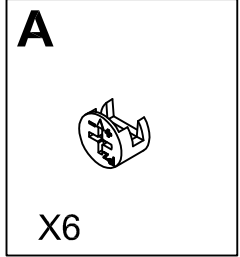
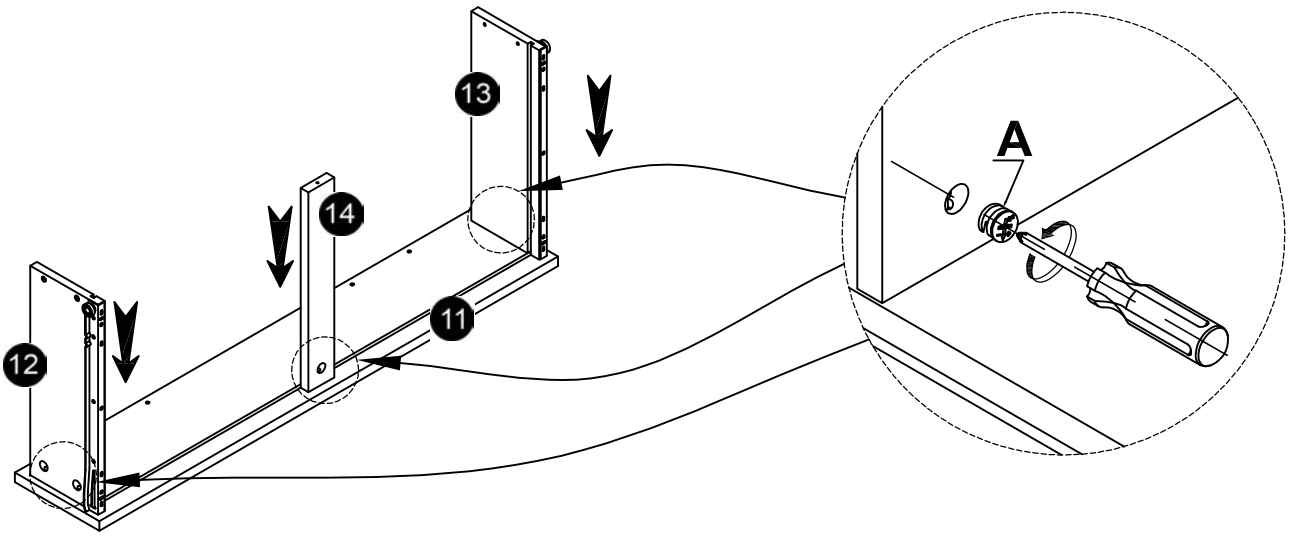
**H** M3\* 15mm



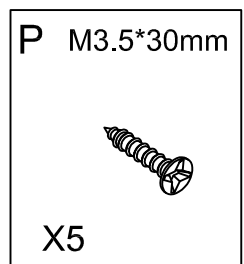
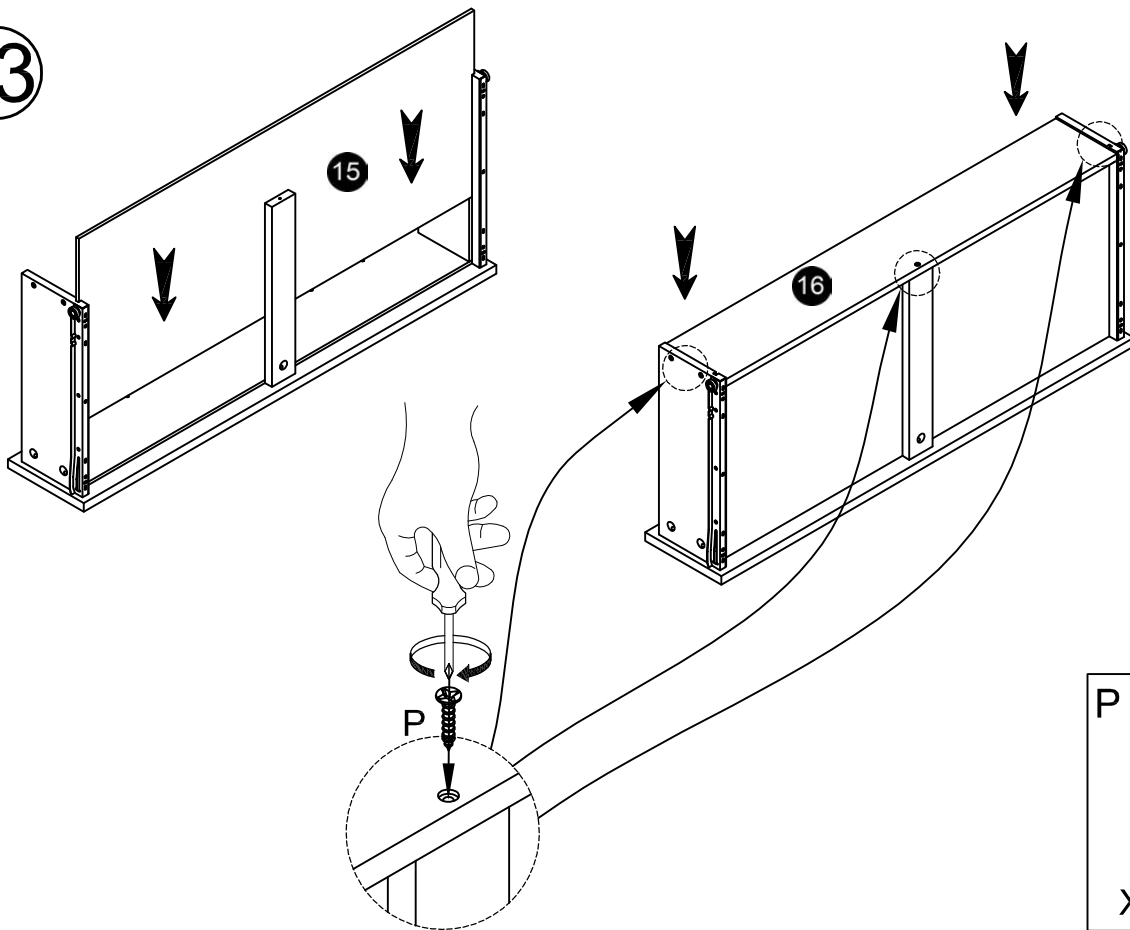
X6



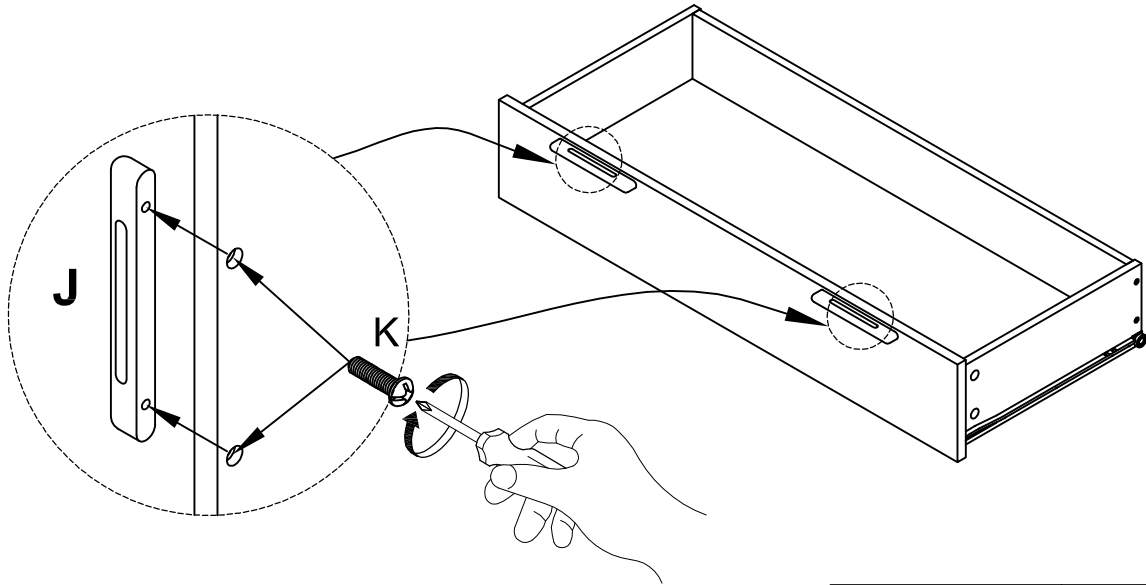
12

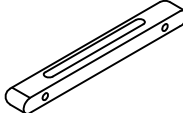
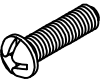


13

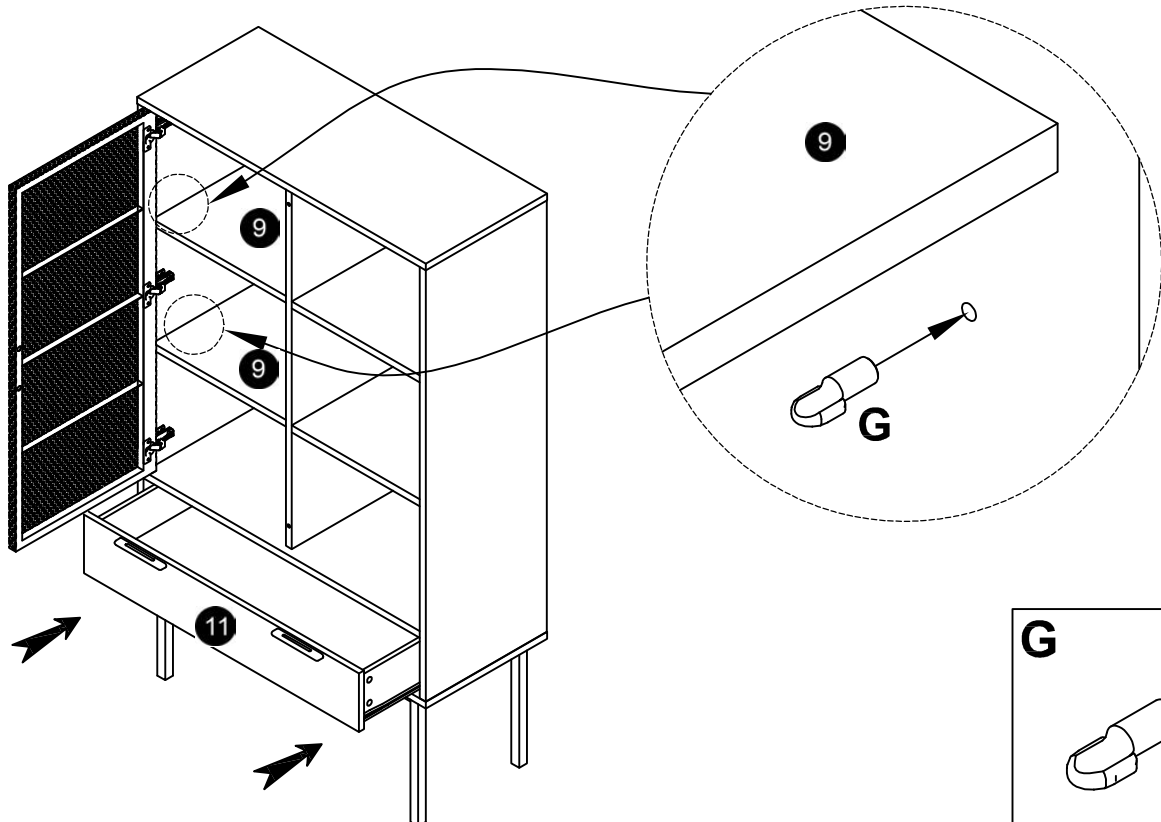



14



<b>J</b>  X2	<b>K</b> M4*25mm  X4
---	--

15



<b>G</b>  X8
---