

ANTALYA

116 664



a = 201 cm

b = 73 cm

c = 86 cm

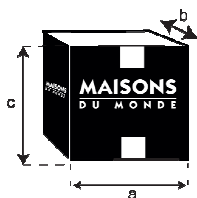
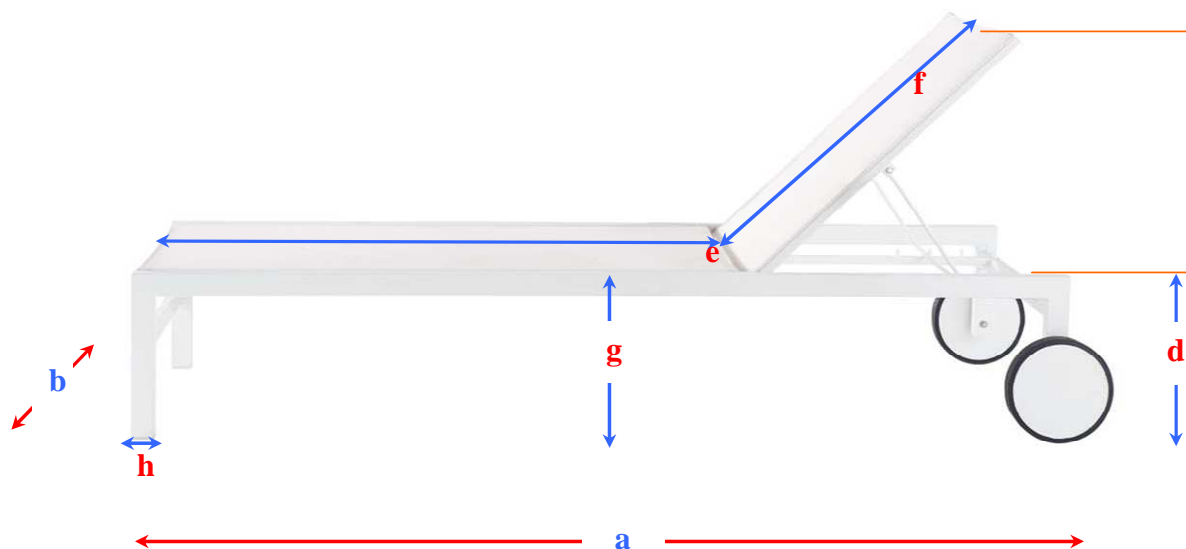
d = 34 cm

e = 125 cm

f = 75 cm

g = 29,5 cm

h = 4,5 cm



X 1

a = 76 cm

b = 36 cm

c = 210 cm

= 32 Kg