
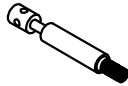

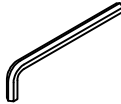
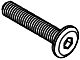
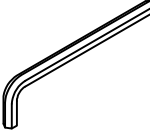
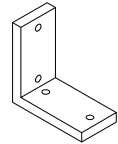
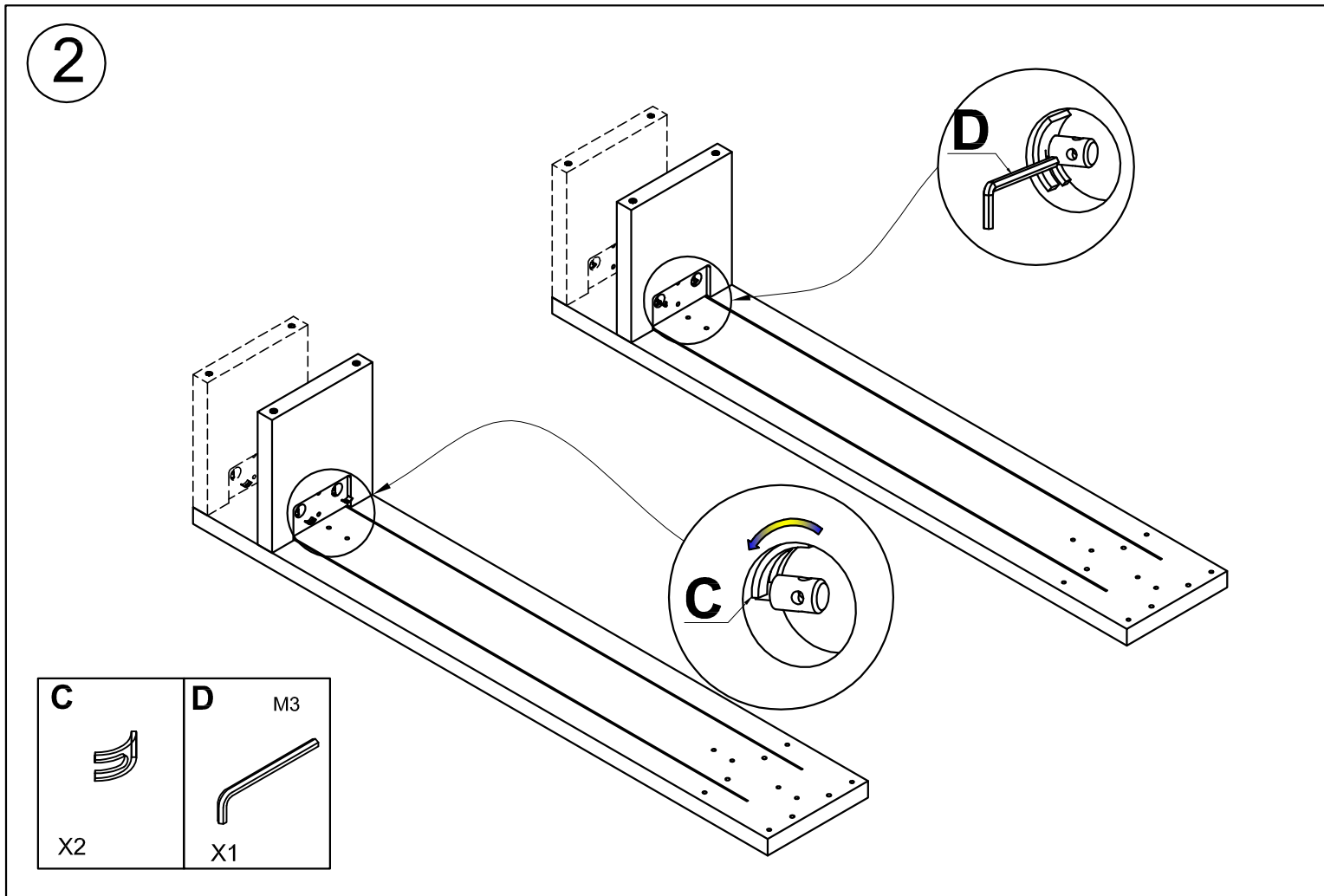
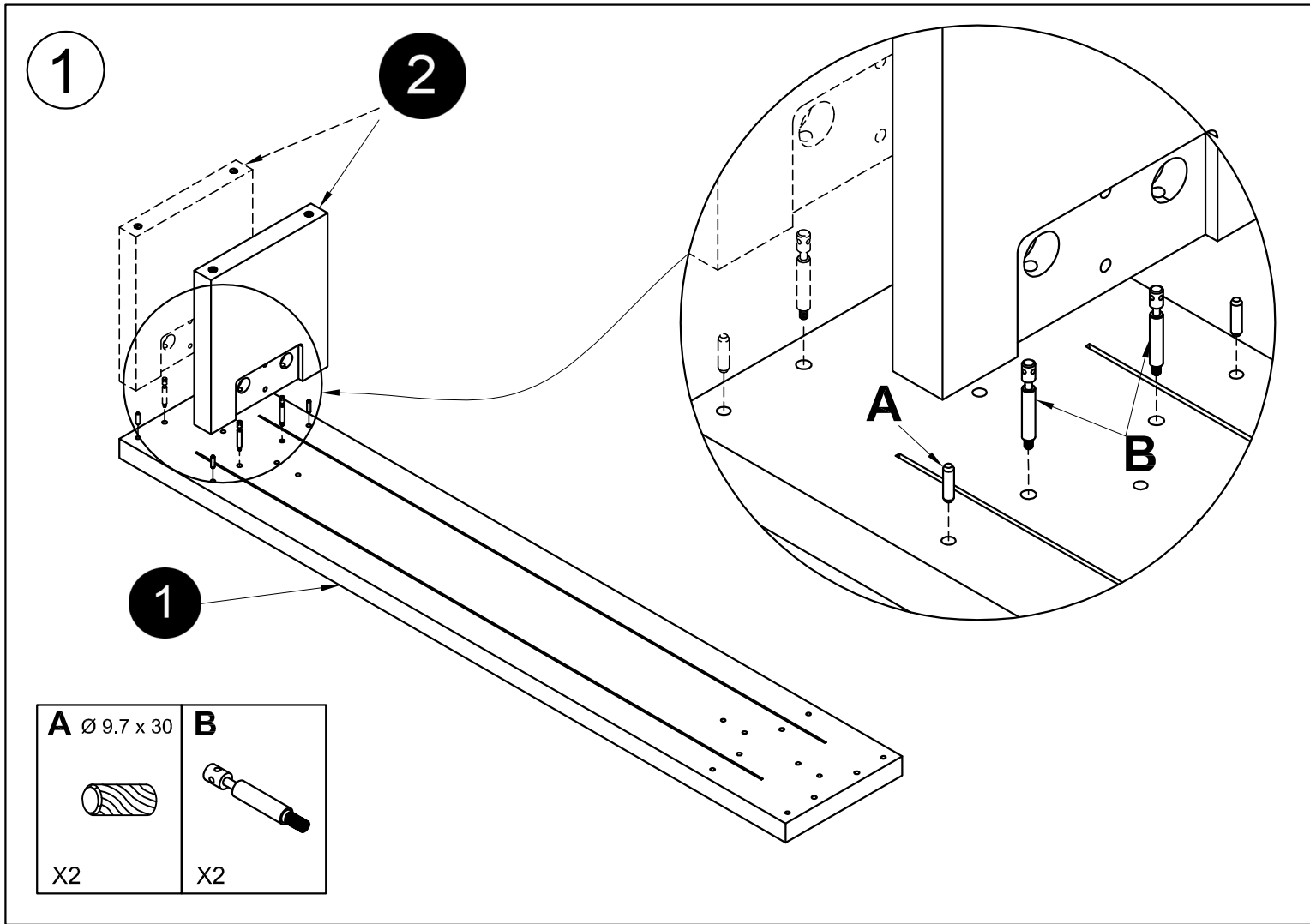
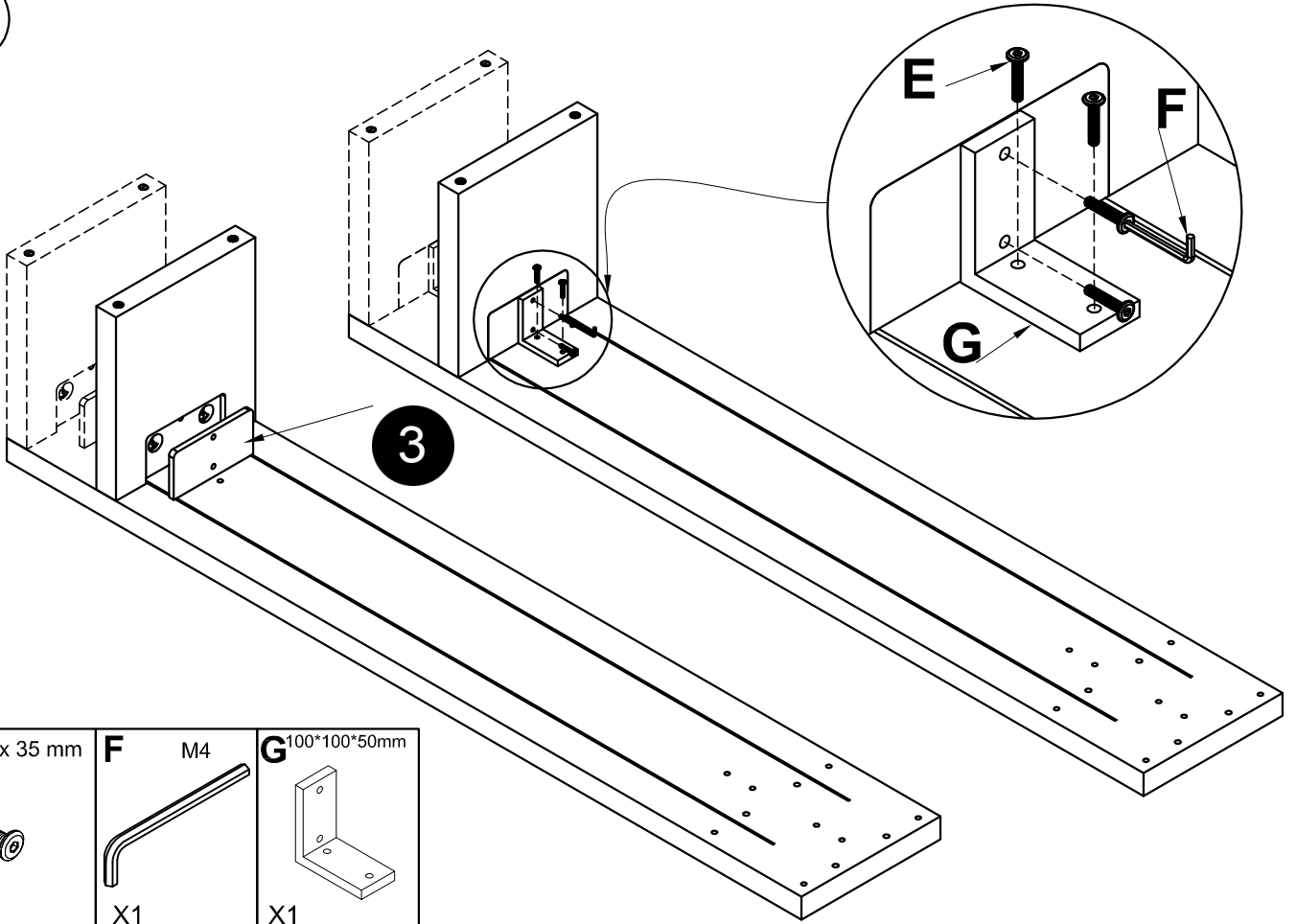


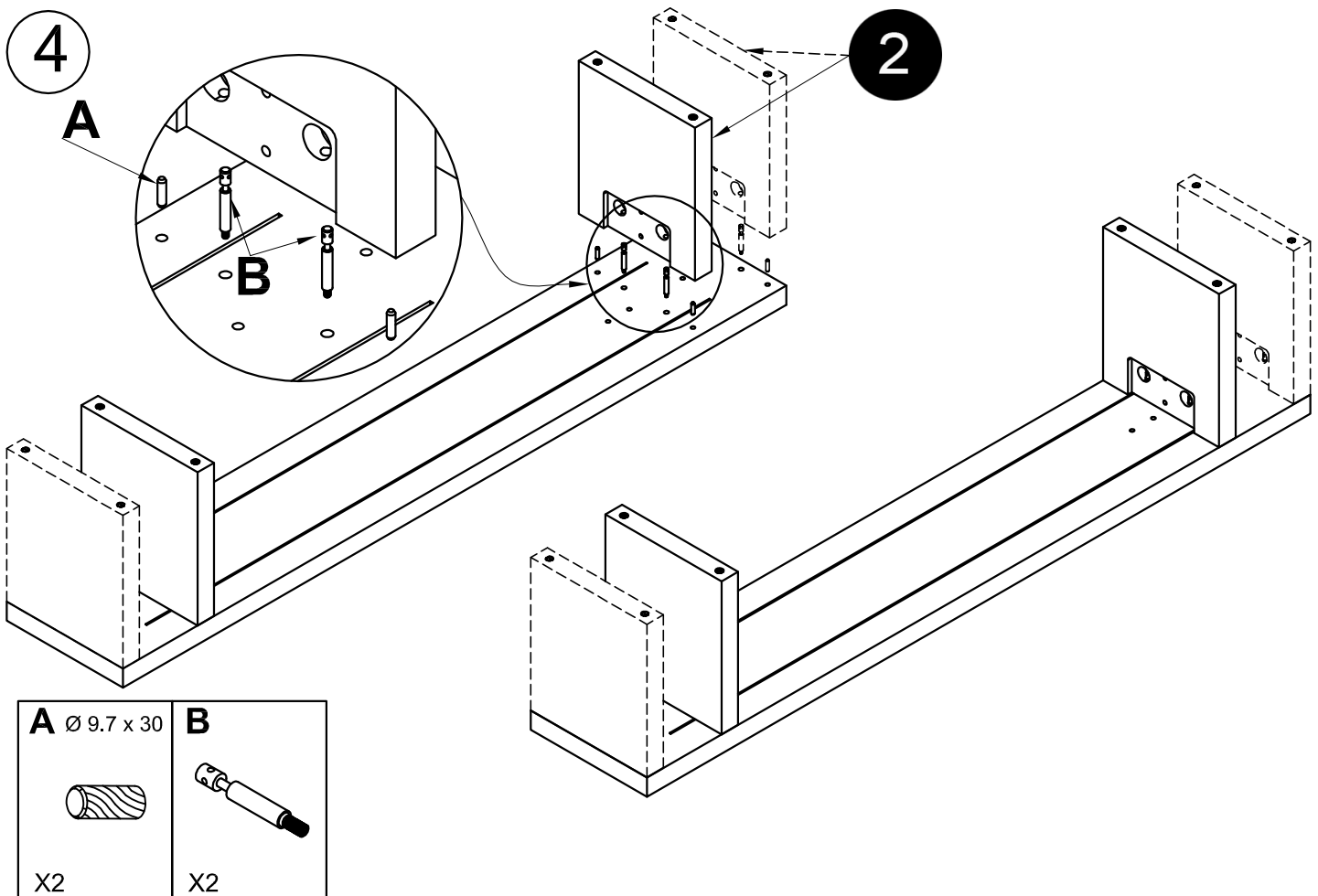
<b>A</b> Ø 9.7 x 30  X4	<b>B</b>  X4	<b>C</b>  X4	<b>D</b> M3  X1	<b>E</b> 6 x 35 mm  X8	<b>F</b> M4  X1	<b>G</b> 100*100*50mm  X2
--	---	---	--	---	---	--

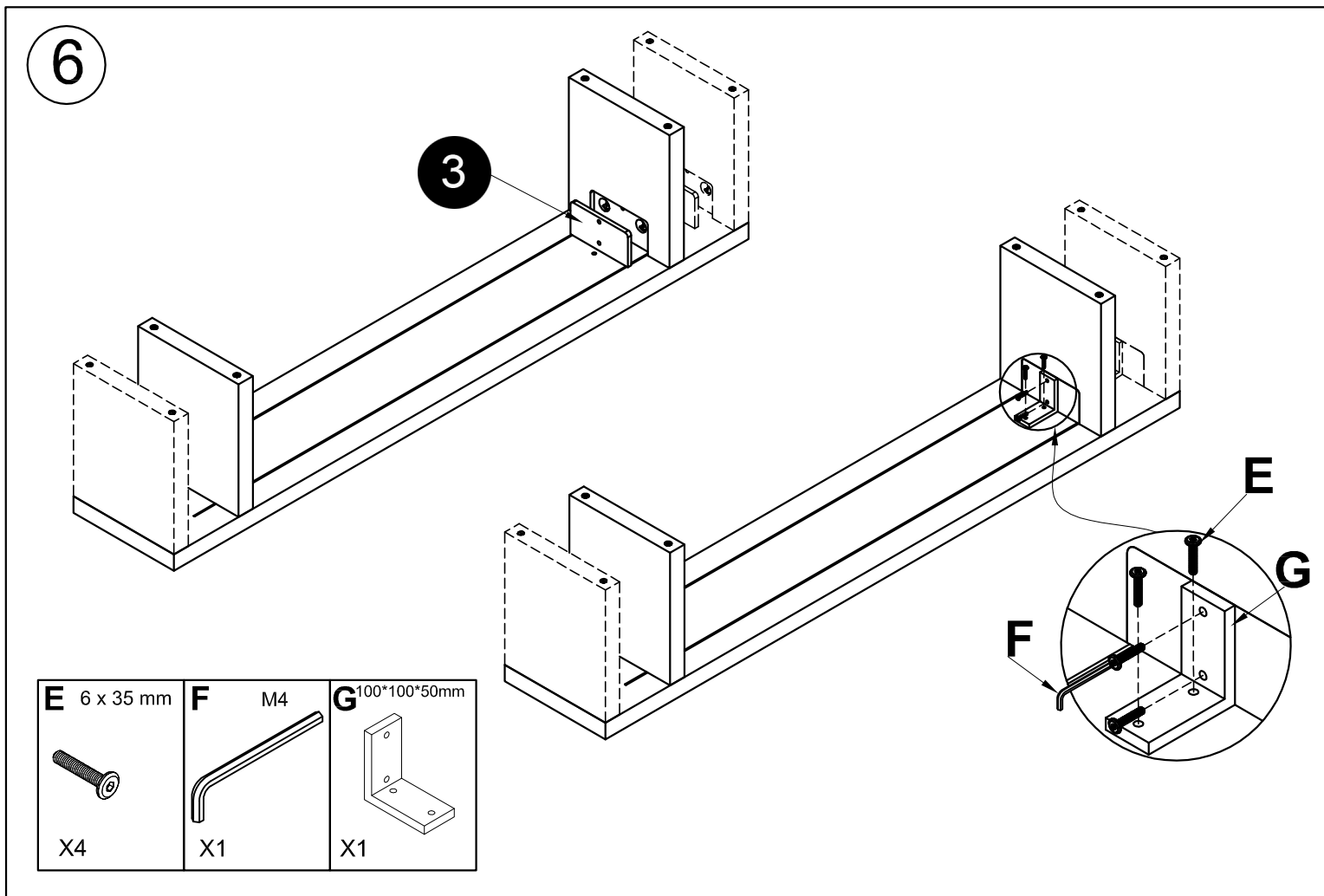
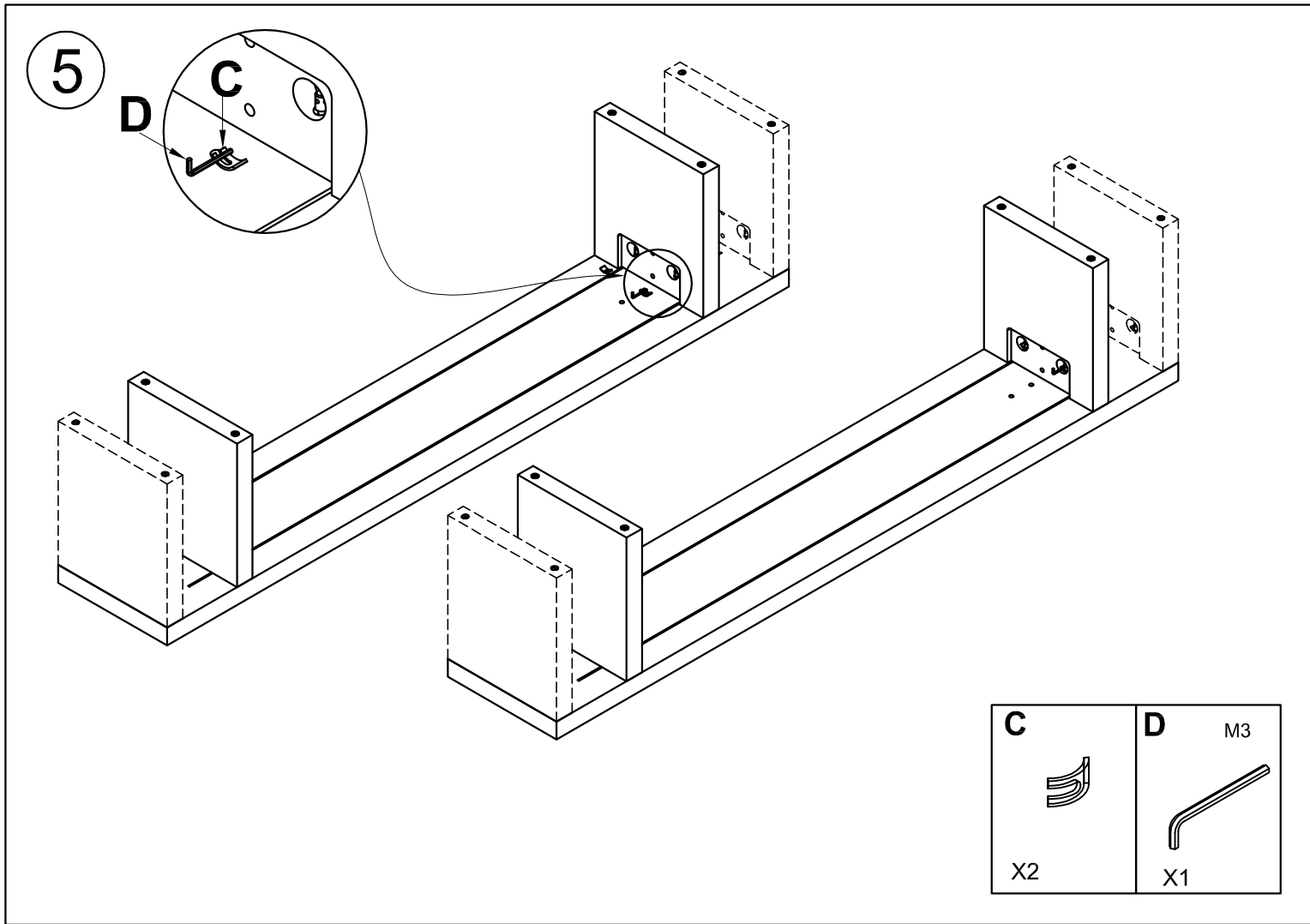


3



4





7

