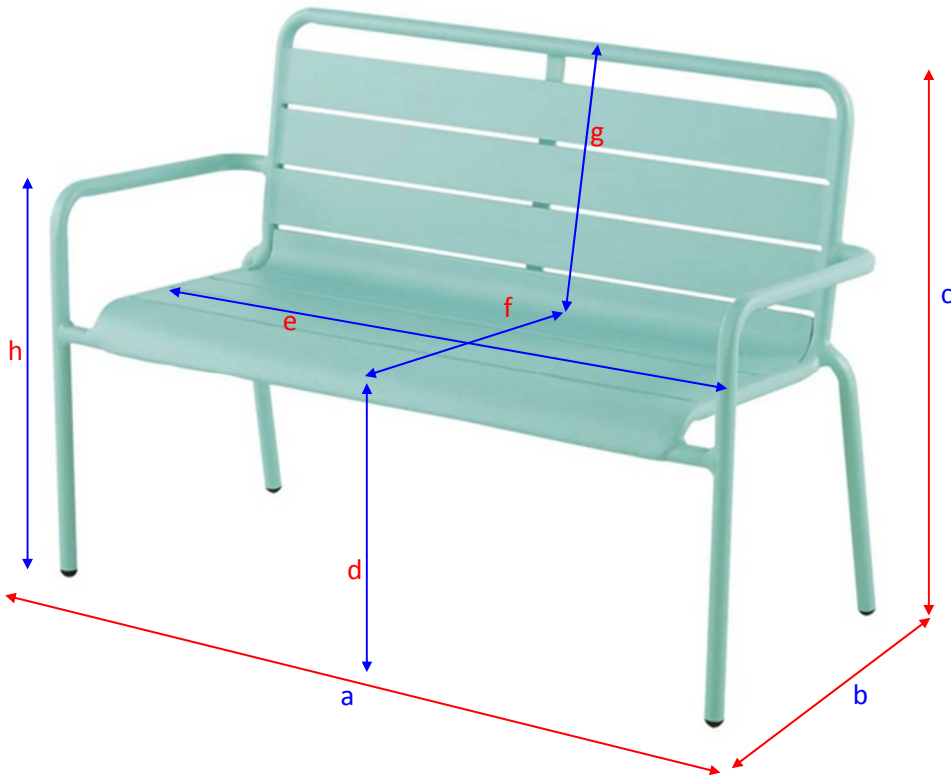


FUN SUMMER

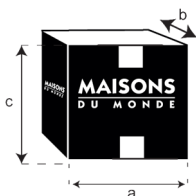
192994



a = 80 cm
b = 37 cm
c = 55 cm

d = 28,5 cm
e = 69,5 cm
f = 27 cm

g = 28 cm
h = 40,5 cm



X 1

a = 100 cm
b = 50 cm
c = 60 cm

= 5 Kg