
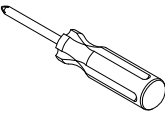
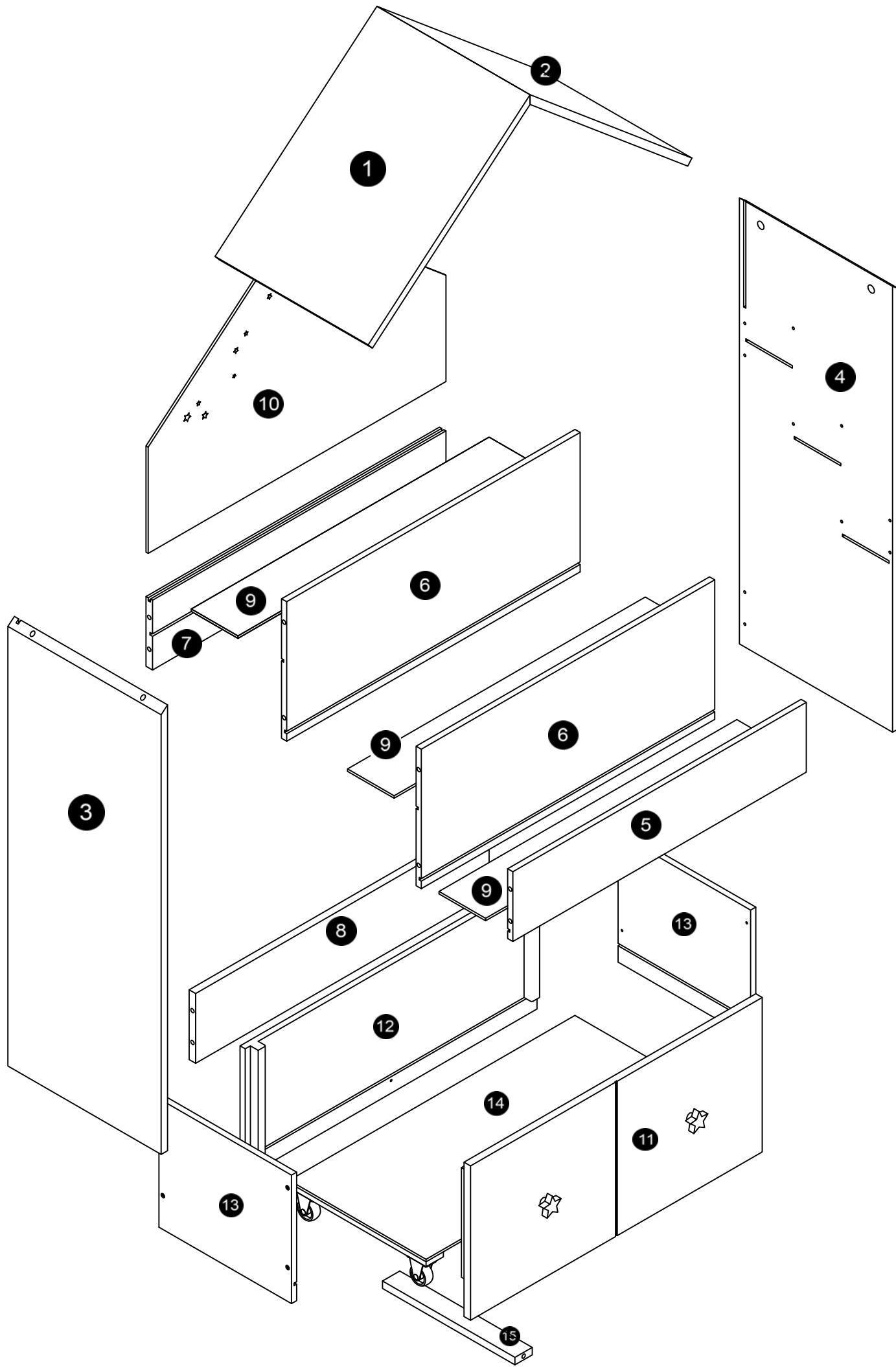
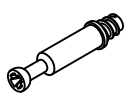

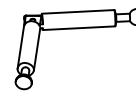
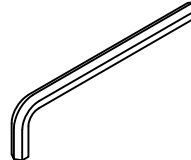
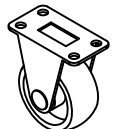




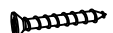
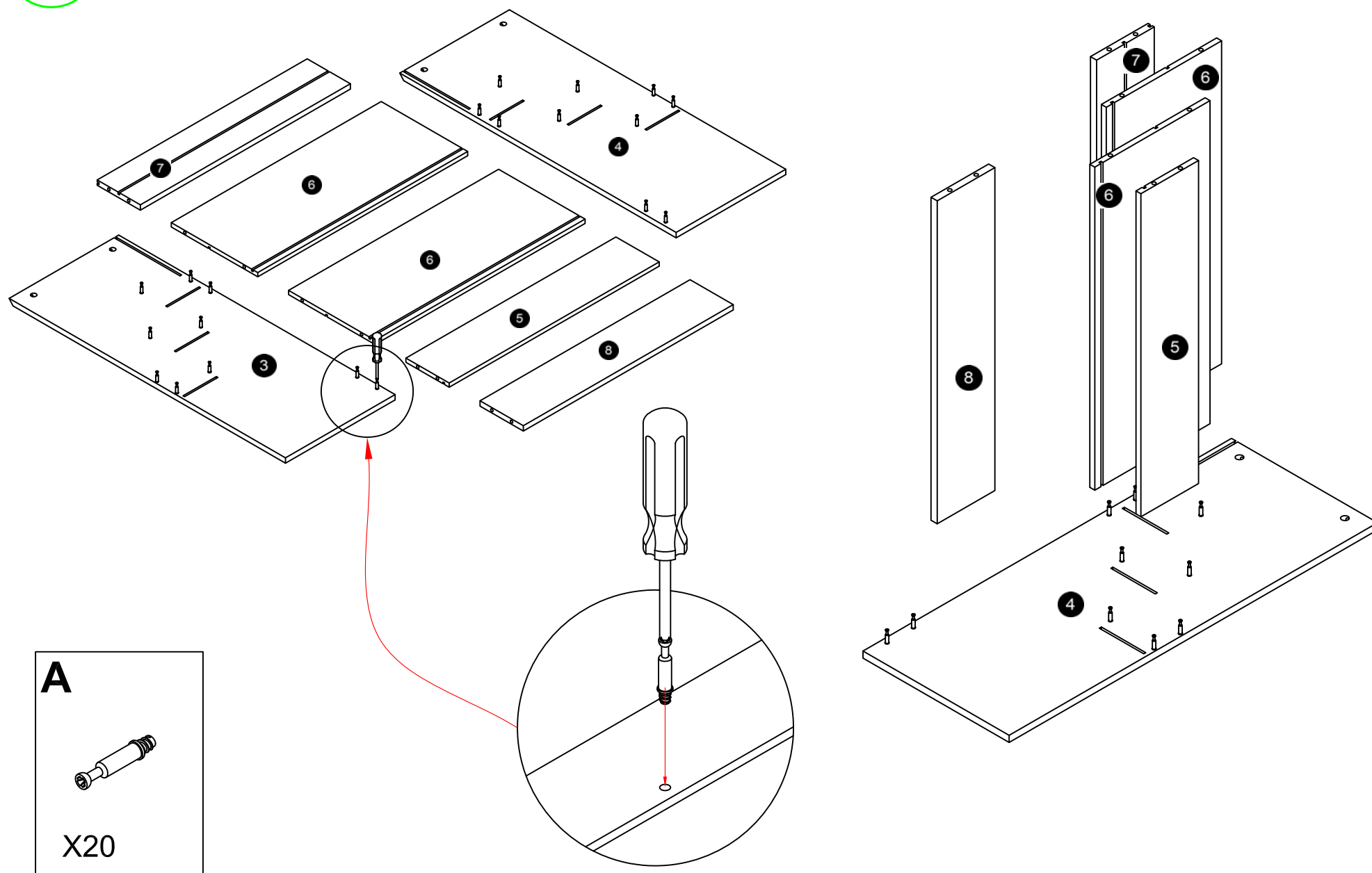
 30 MIN		
--	---	---

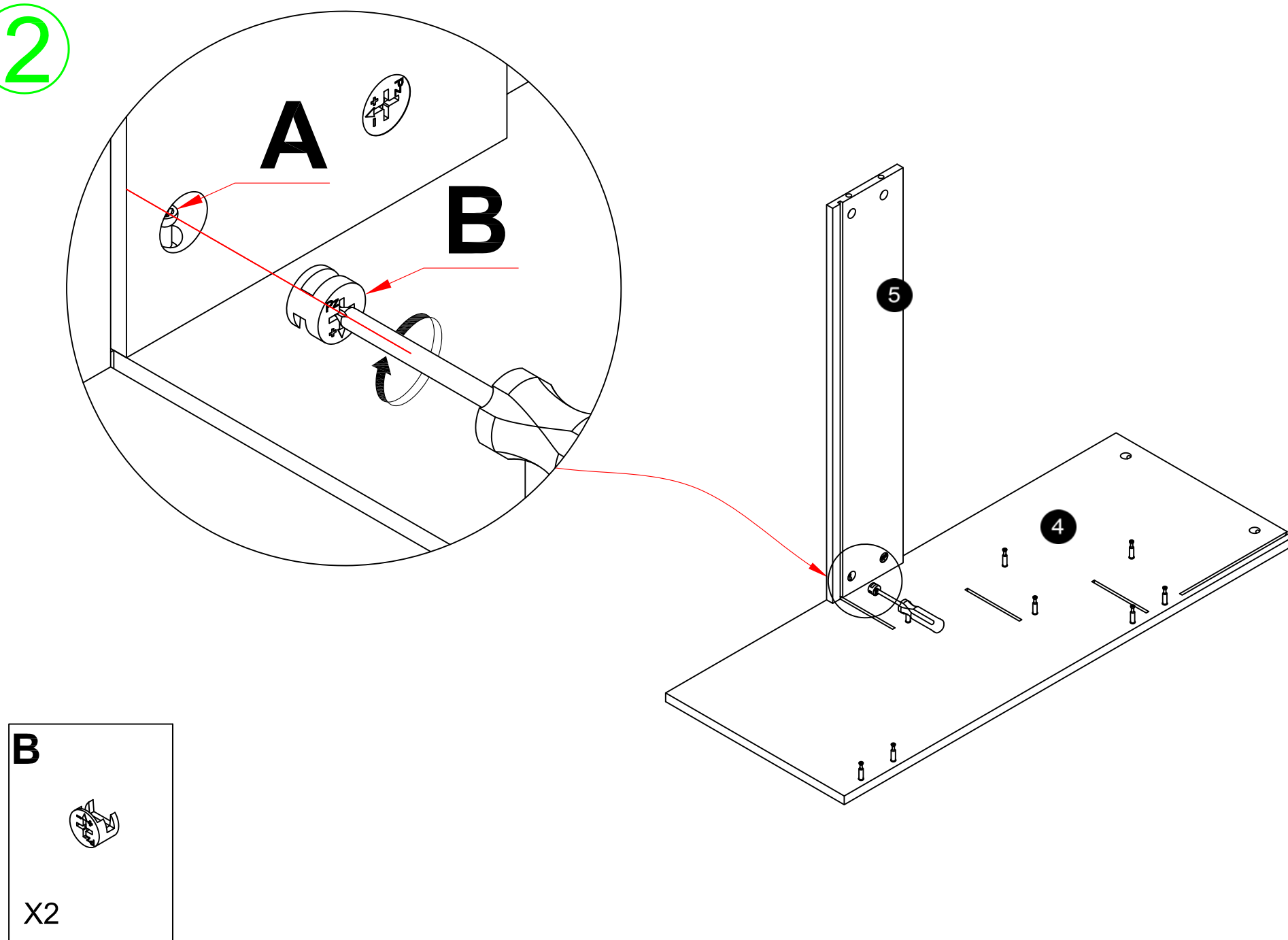


<b>A</b>  X25	<b>B</b>  X29	<b>C</b>  X2	<b>D</b> M 4  X1	<b>E</b>  X4	<b>F</b> M3.5 * 15mm  X16	<b>G</b>  X2	<b>H</b> M4 * 30mm  X2
<b>I</b>  X2	<b>J</b> M3.5 * 25mm  X9						

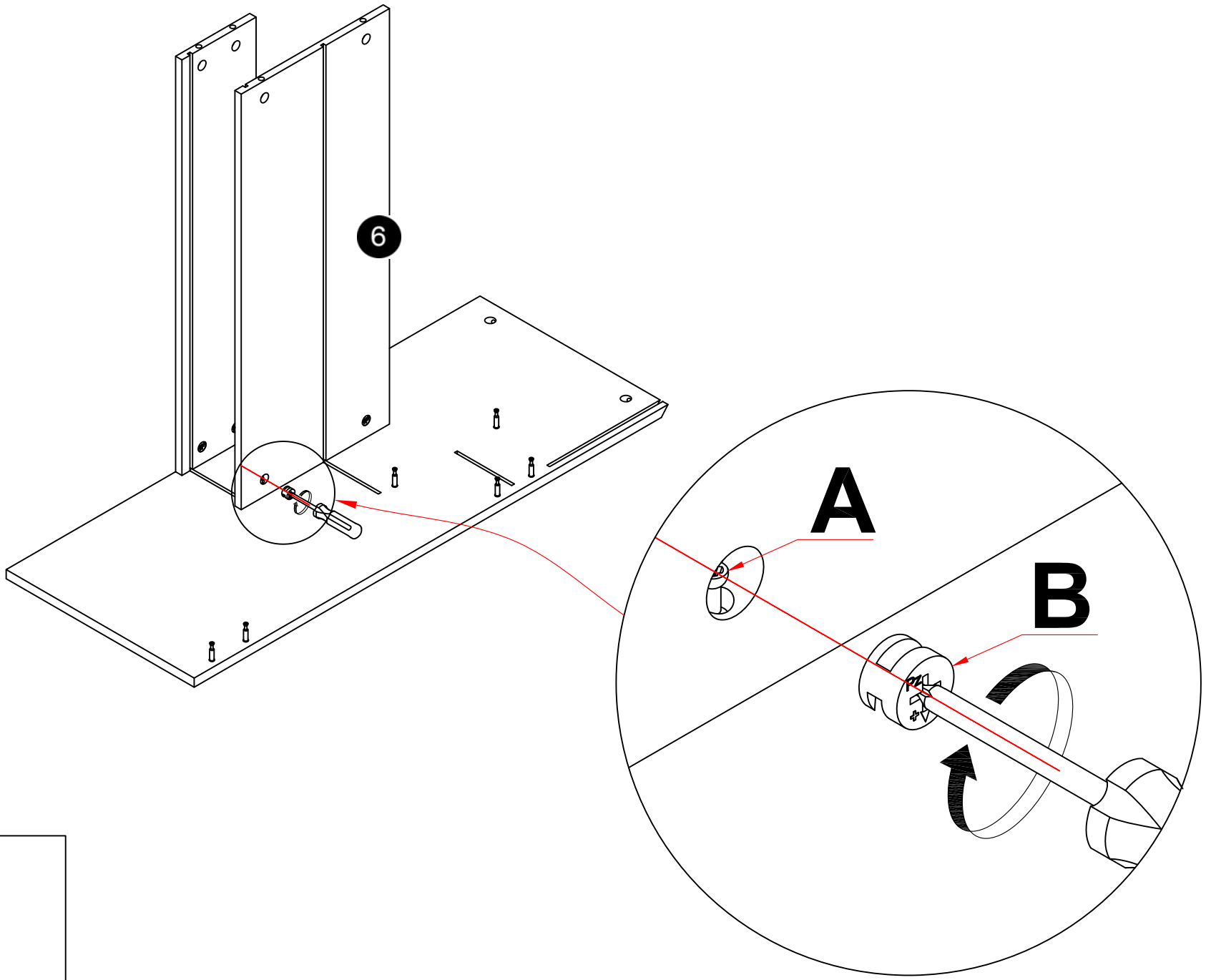
1



2



3

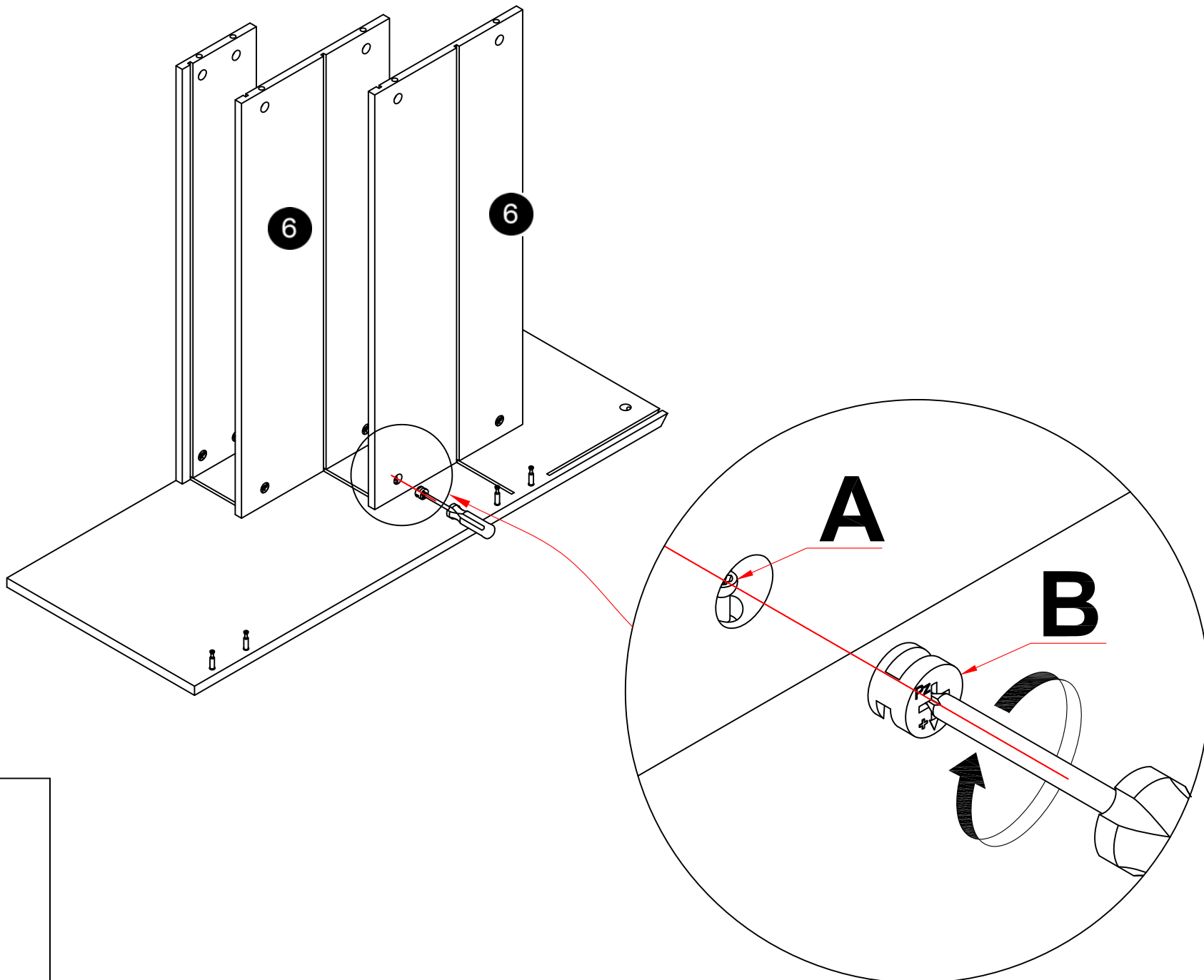


**B**



X2

4

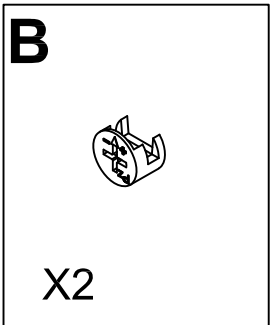
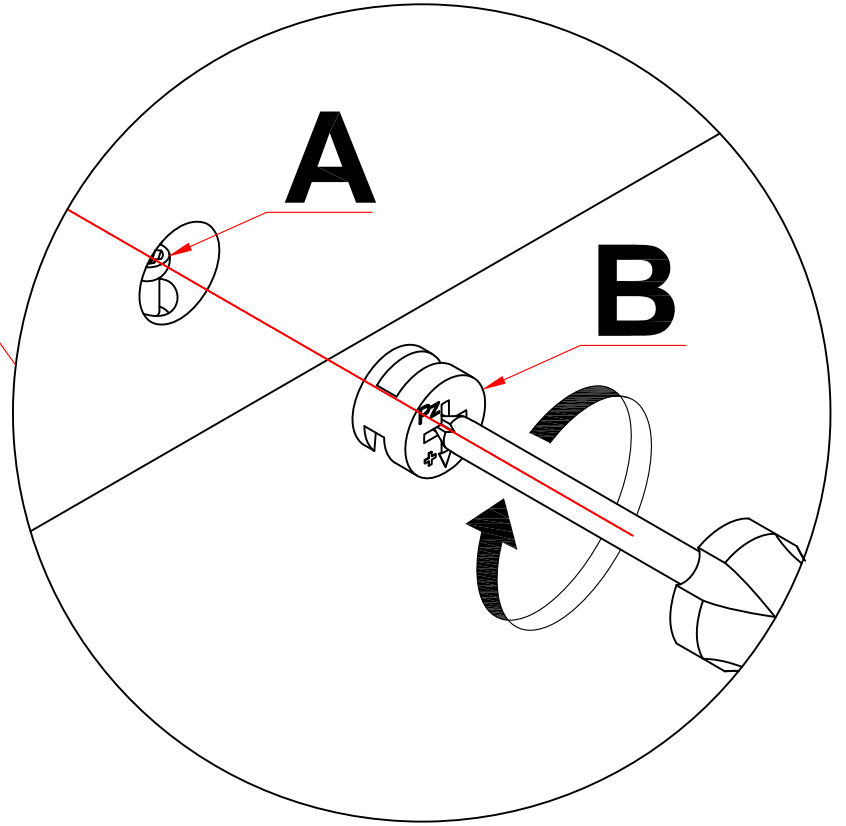
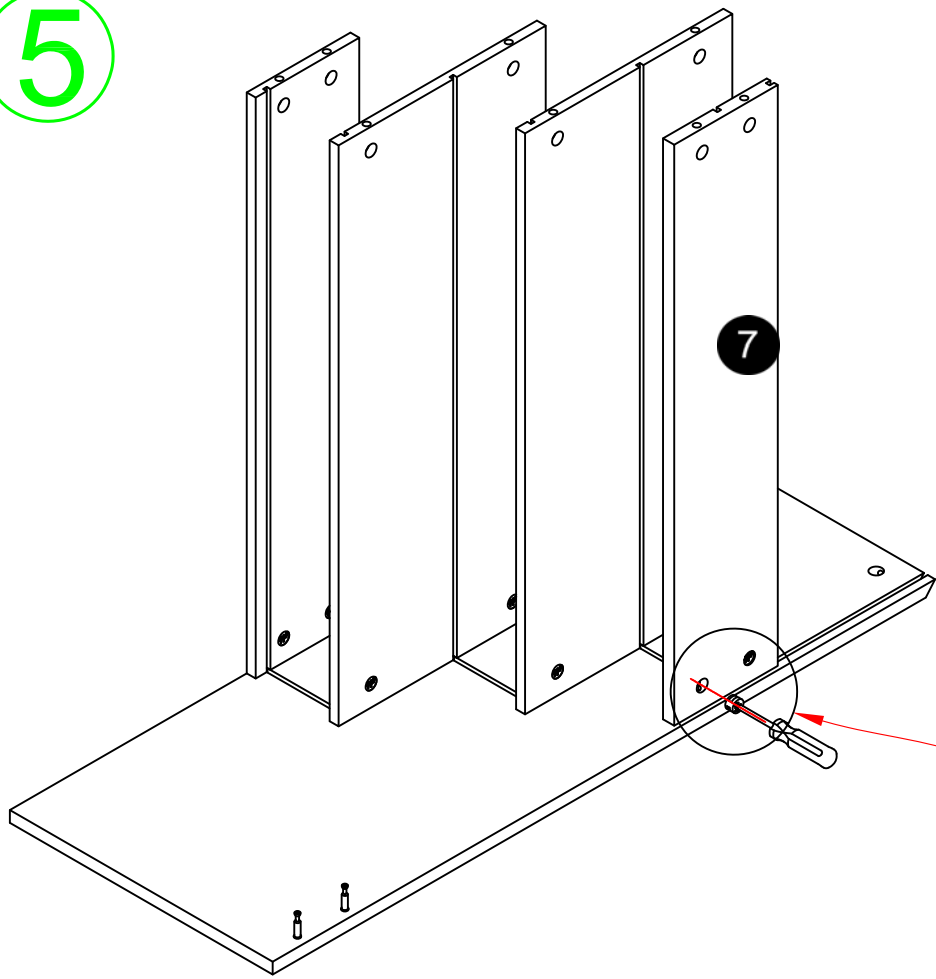


**B**

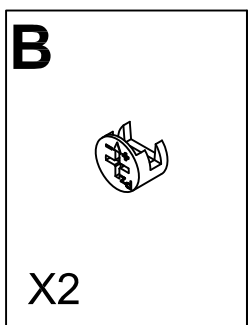
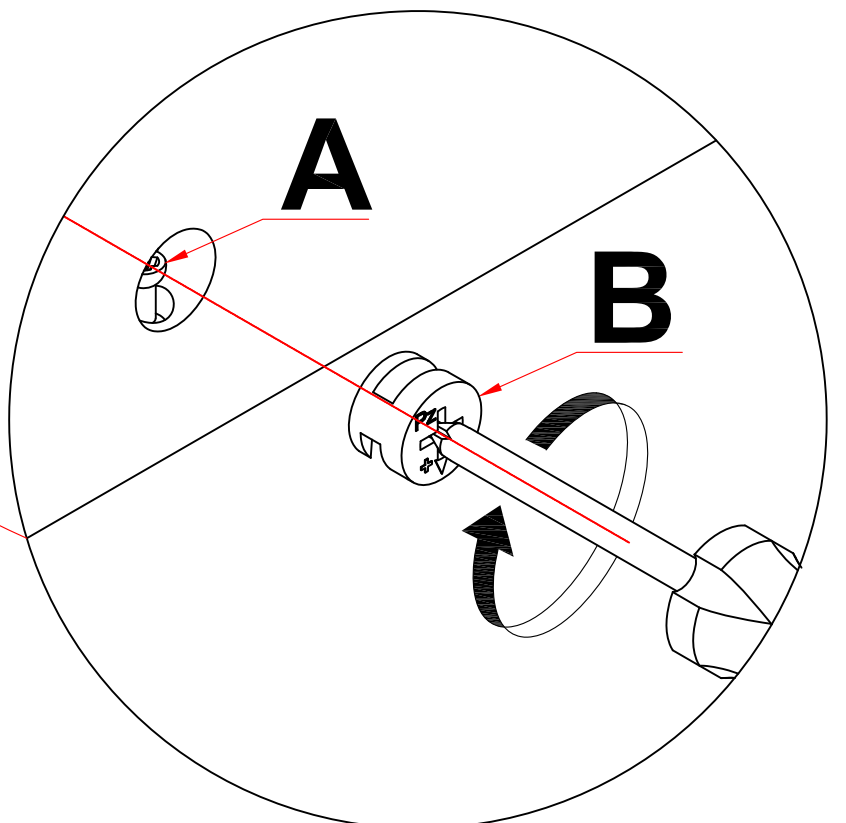
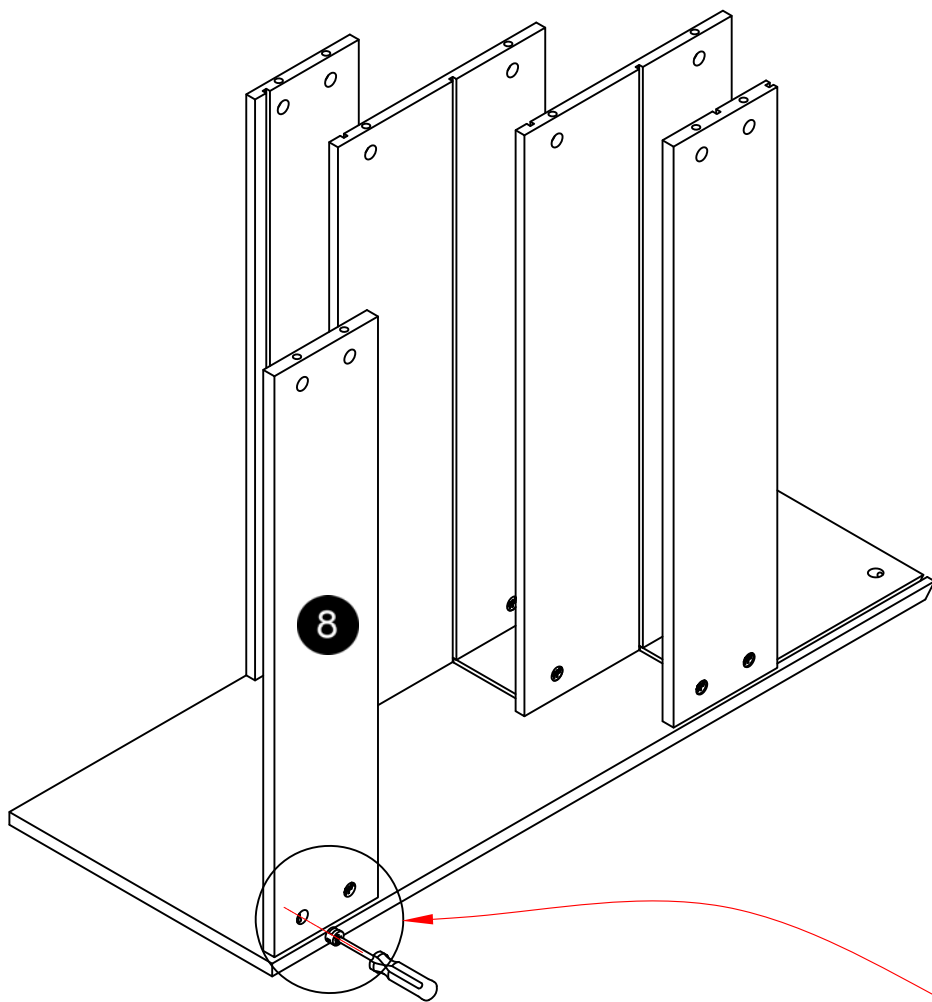


X2

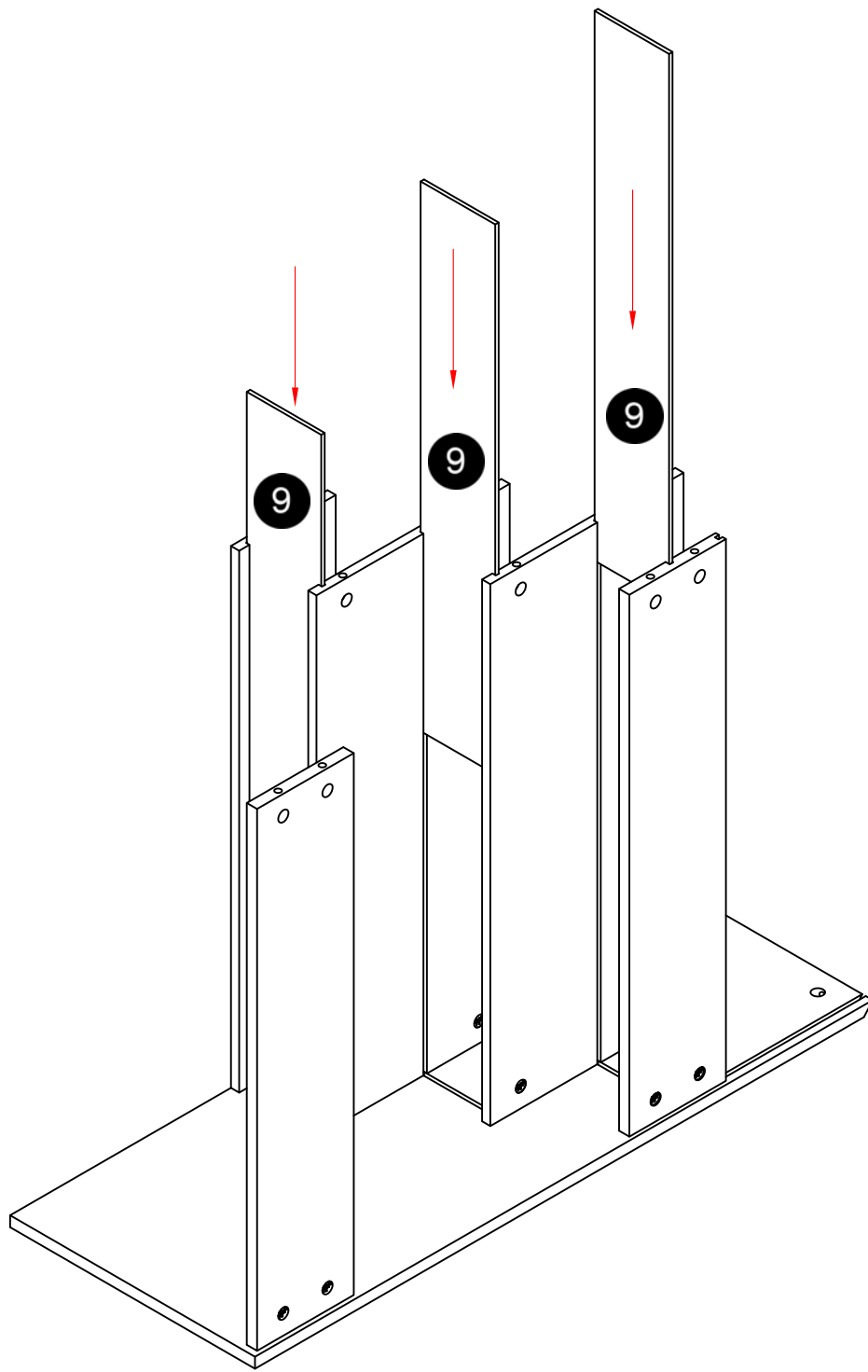
5



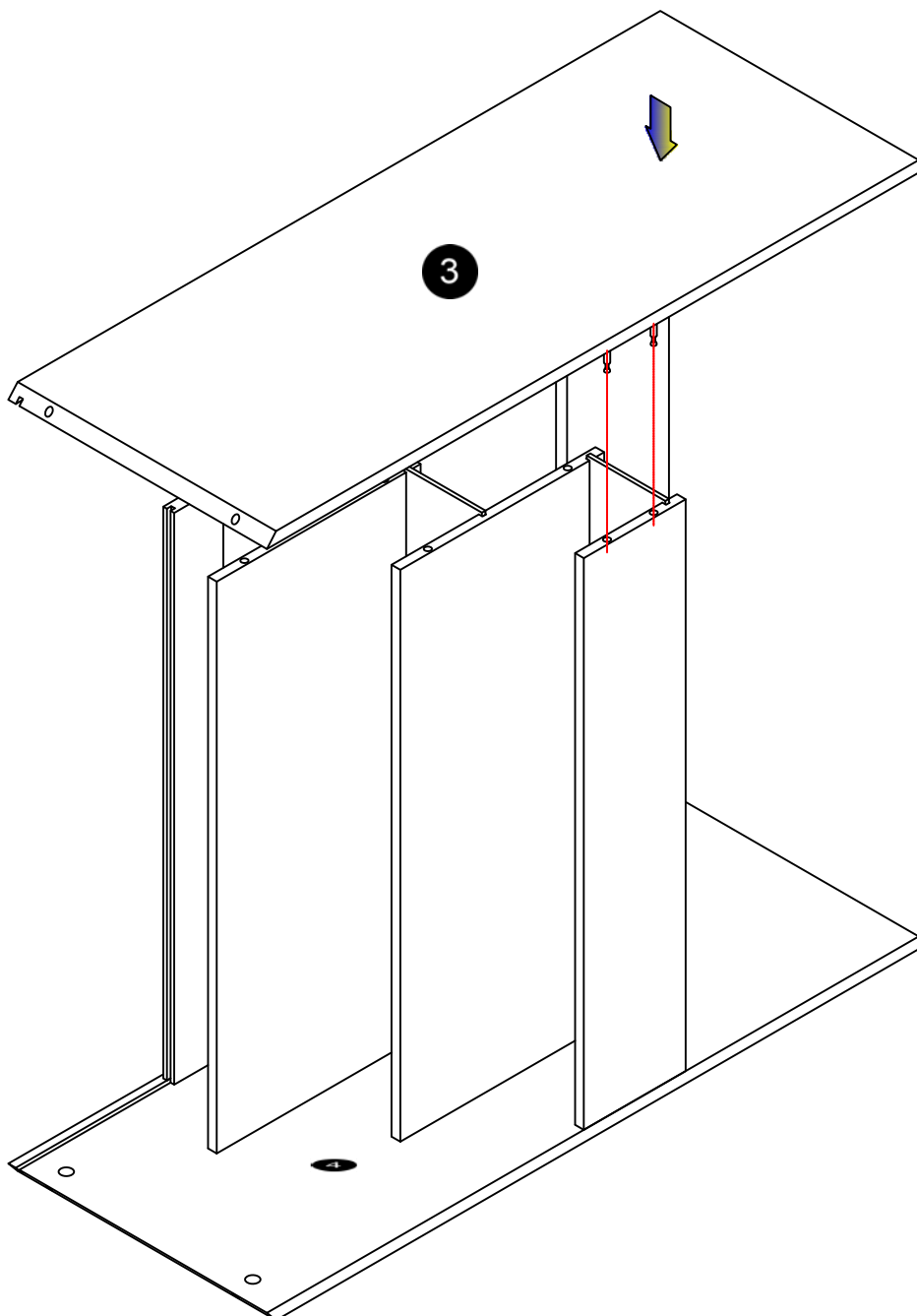
6



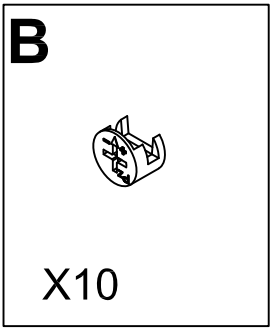
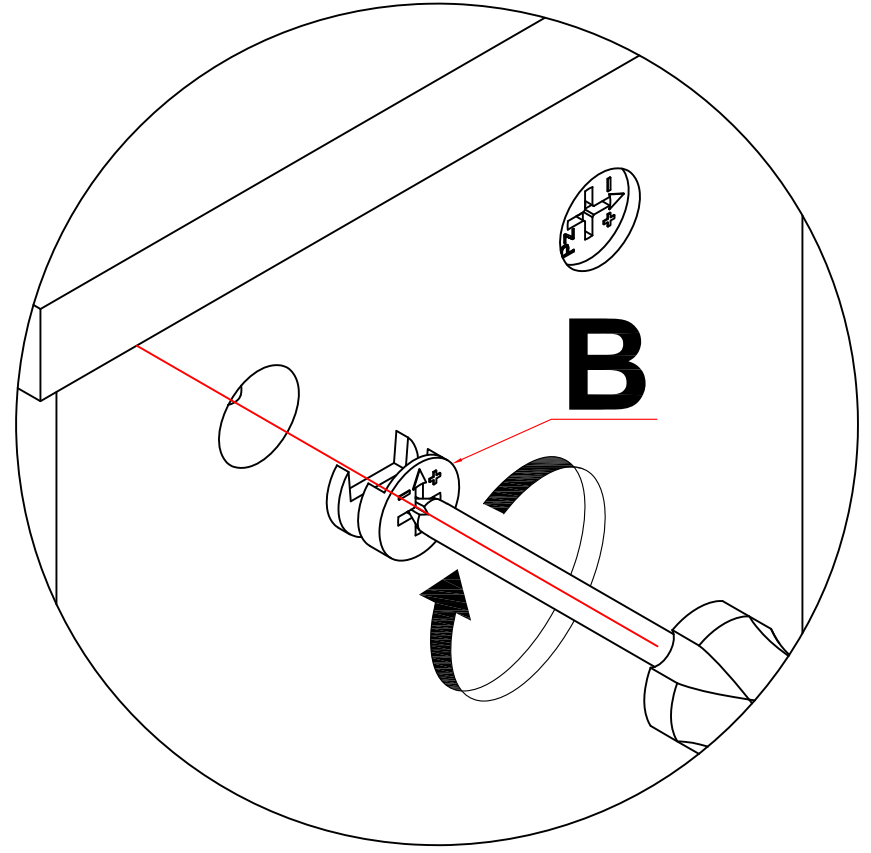
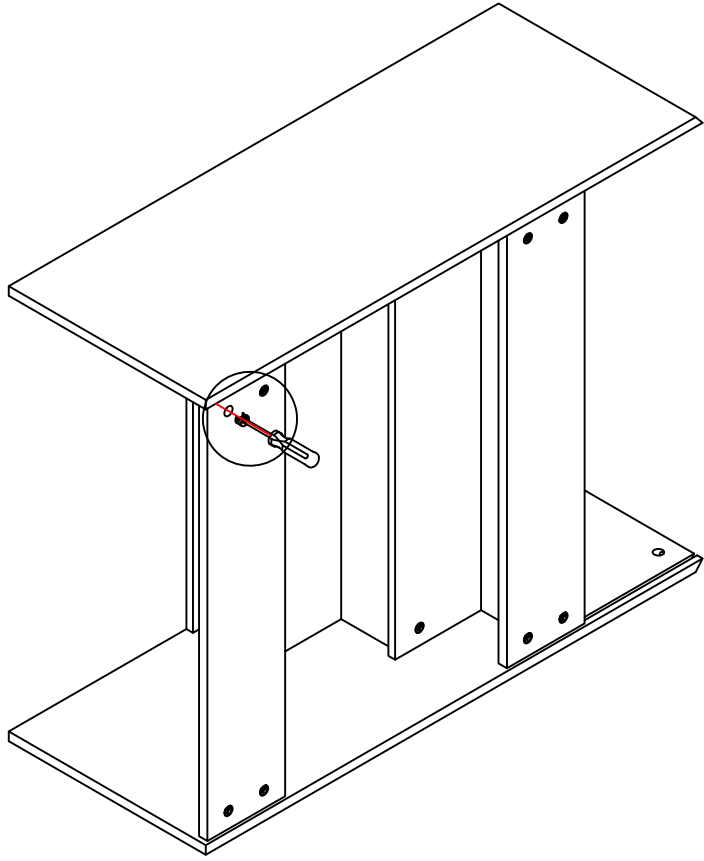
7



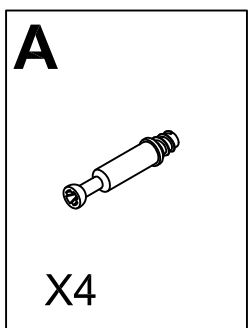
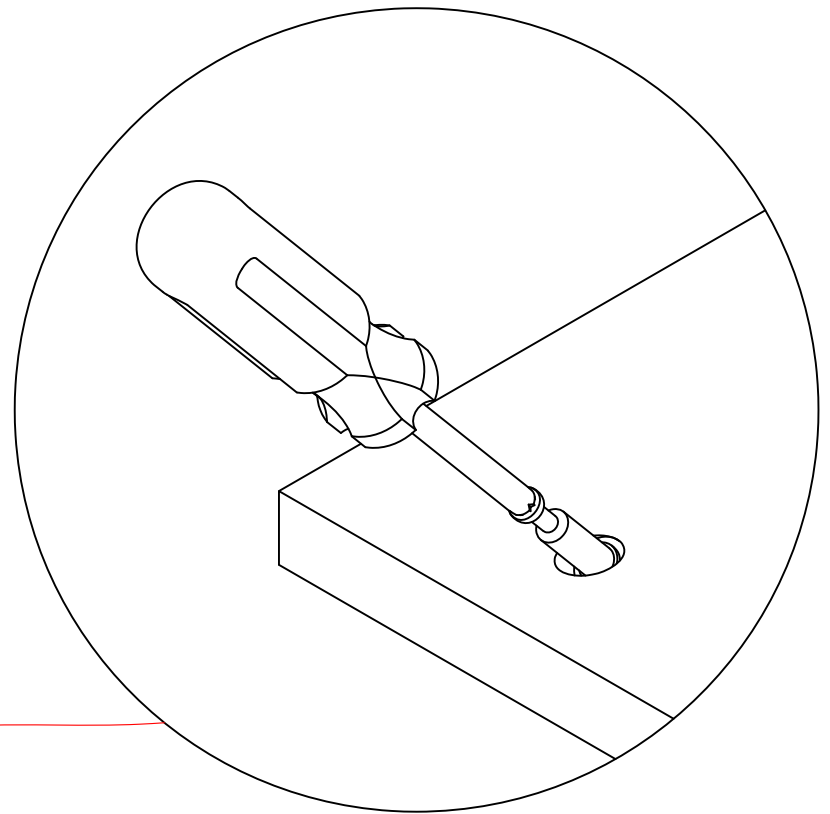
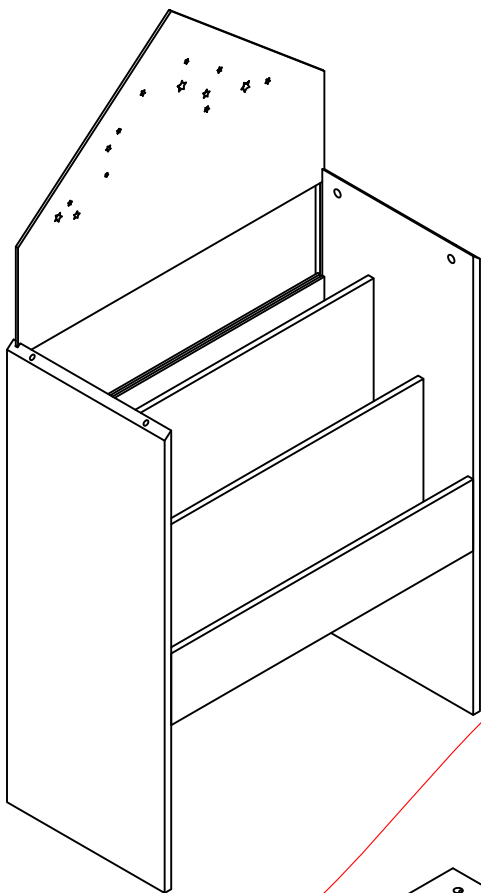
8



9

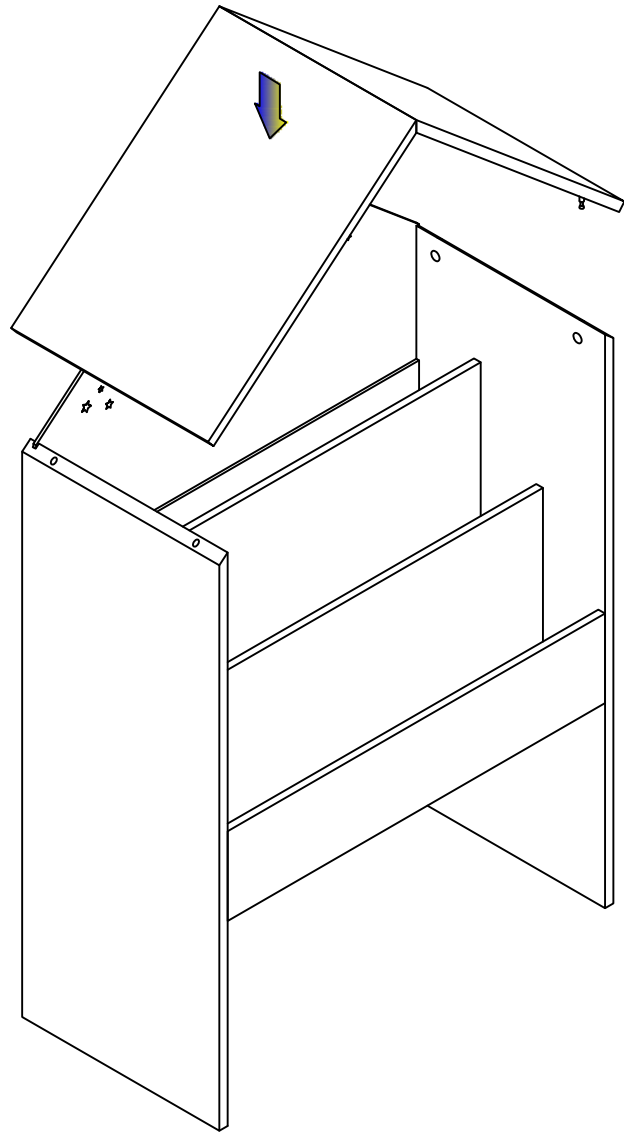


10

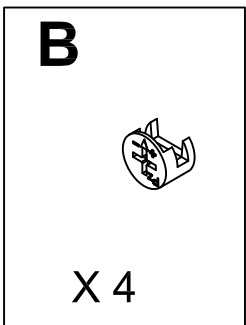
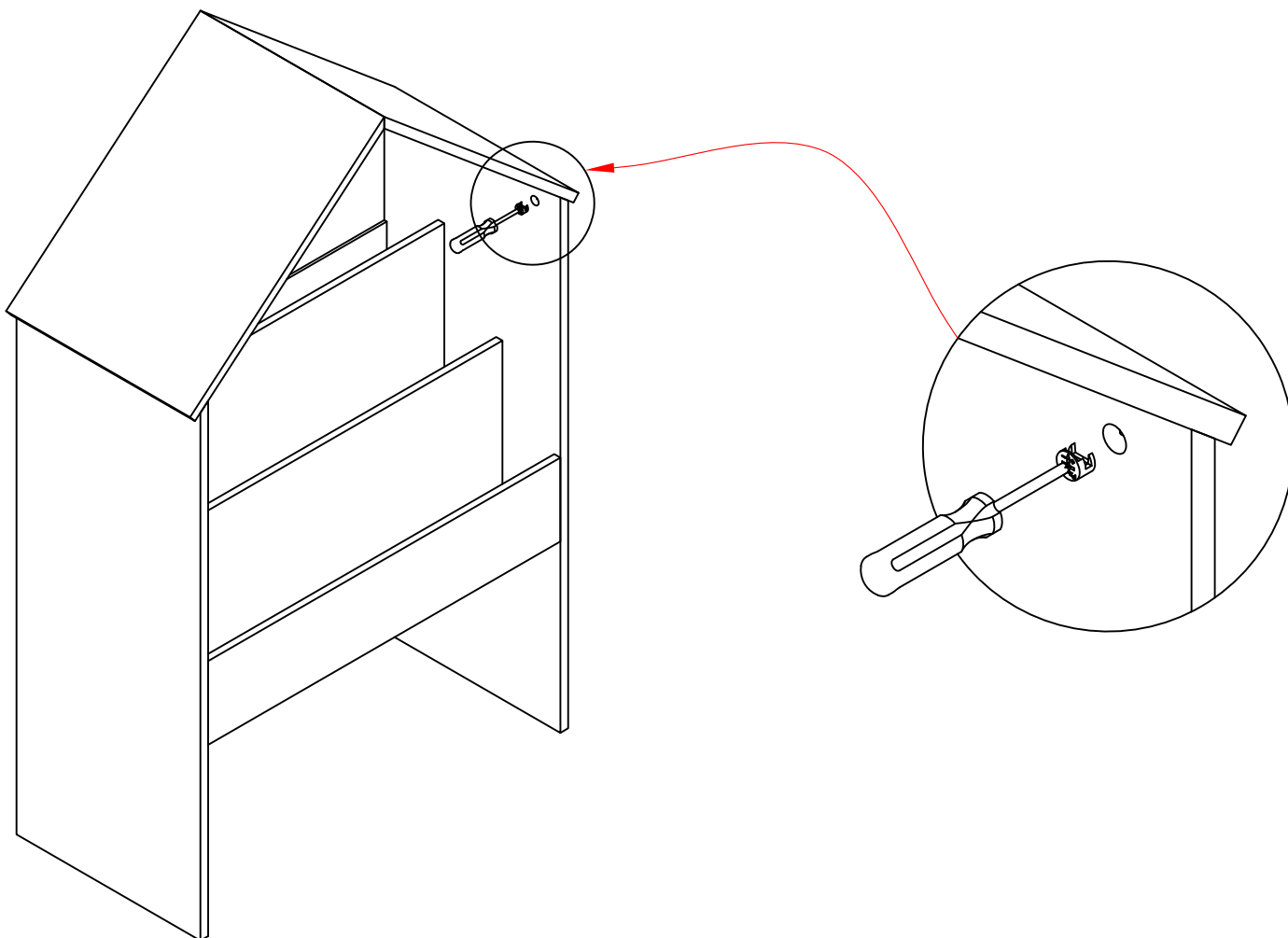


V1 - 002211

11



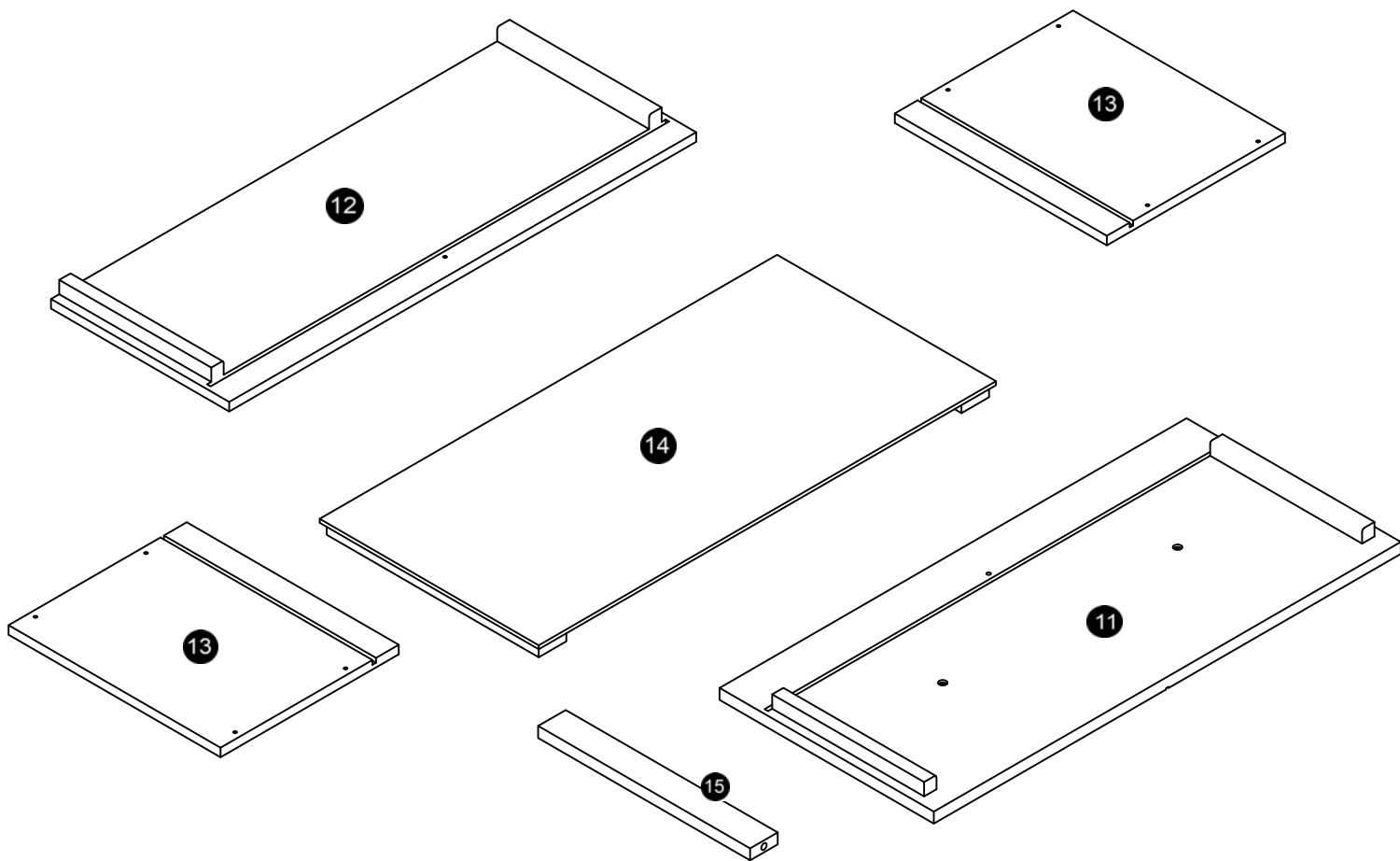
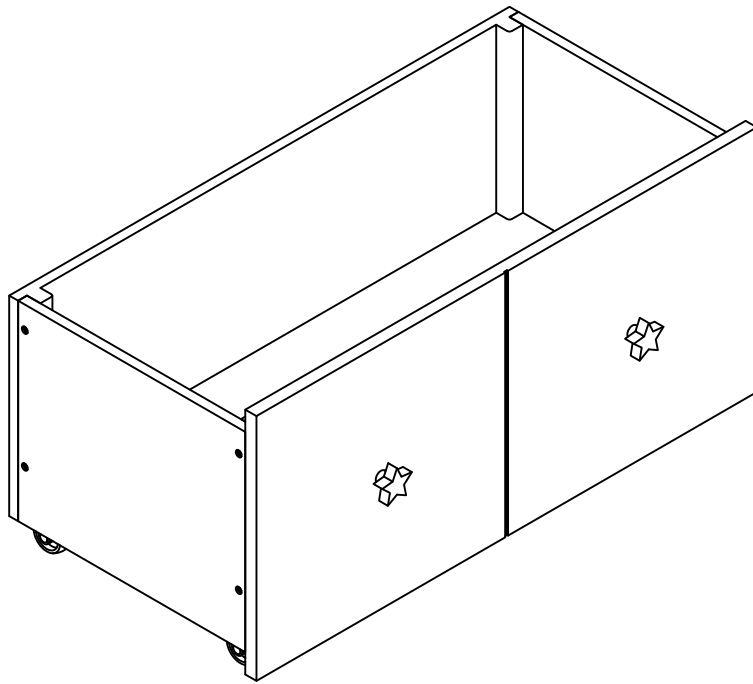
12

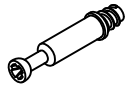

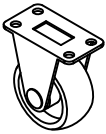




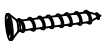


V1 - 002211

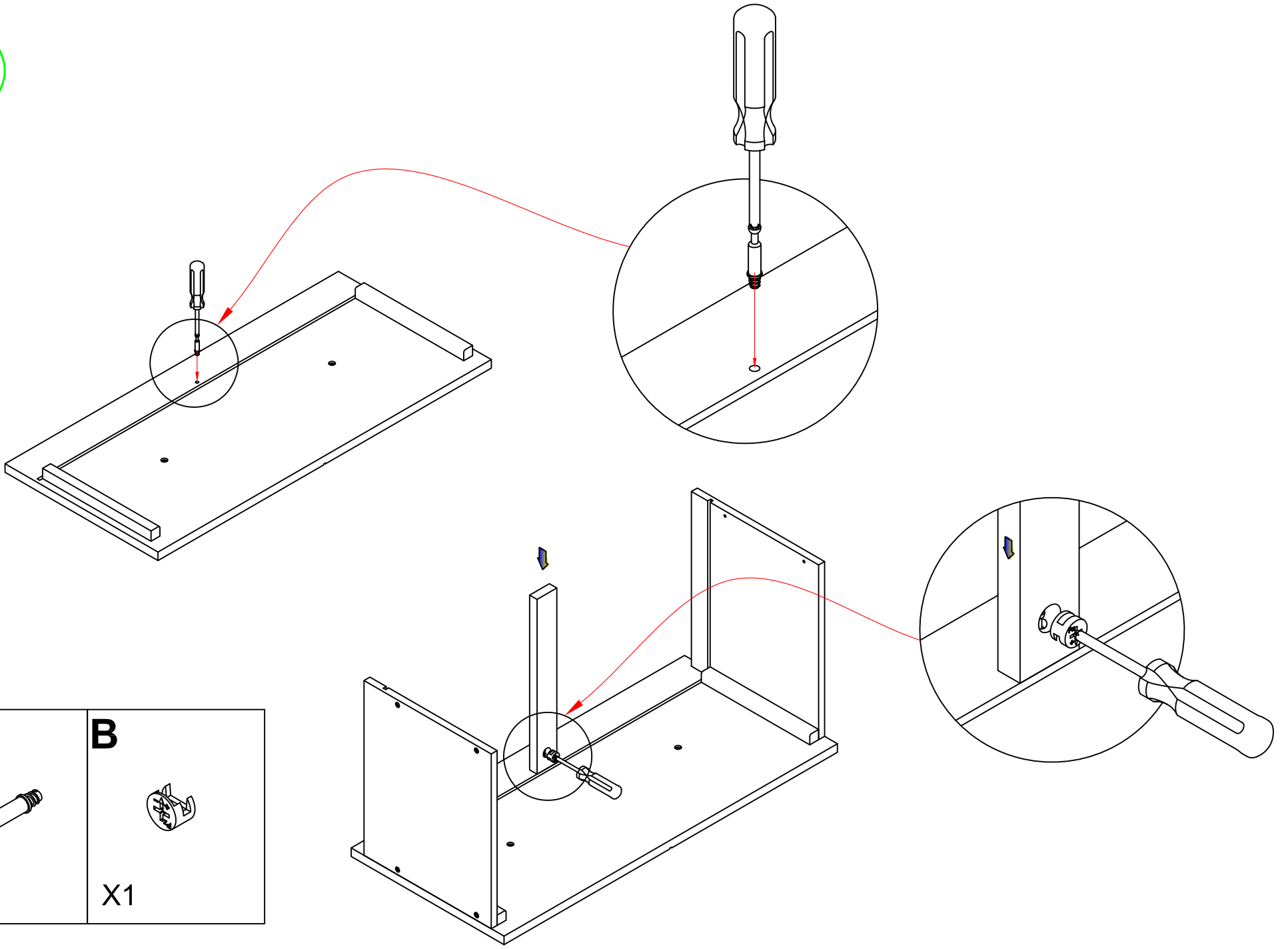


13

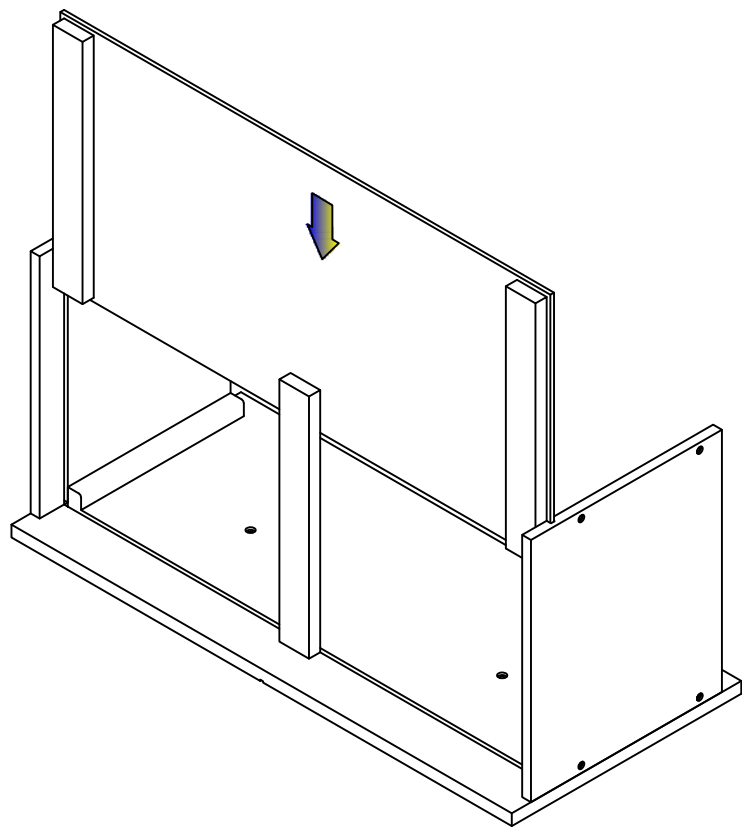


<b>A</b>  X1	<b>B</b>  X1	<b>E</b>  X4	<b>F</b> M3.5 * 15mm  X16	<b>G</b>  X2	<b>H</b> M4 * 30mm  X2	<b>I</b>  X2	<b>J</b> M3.5 * 25mm  X9
---	---	---	--	---	---	---	---

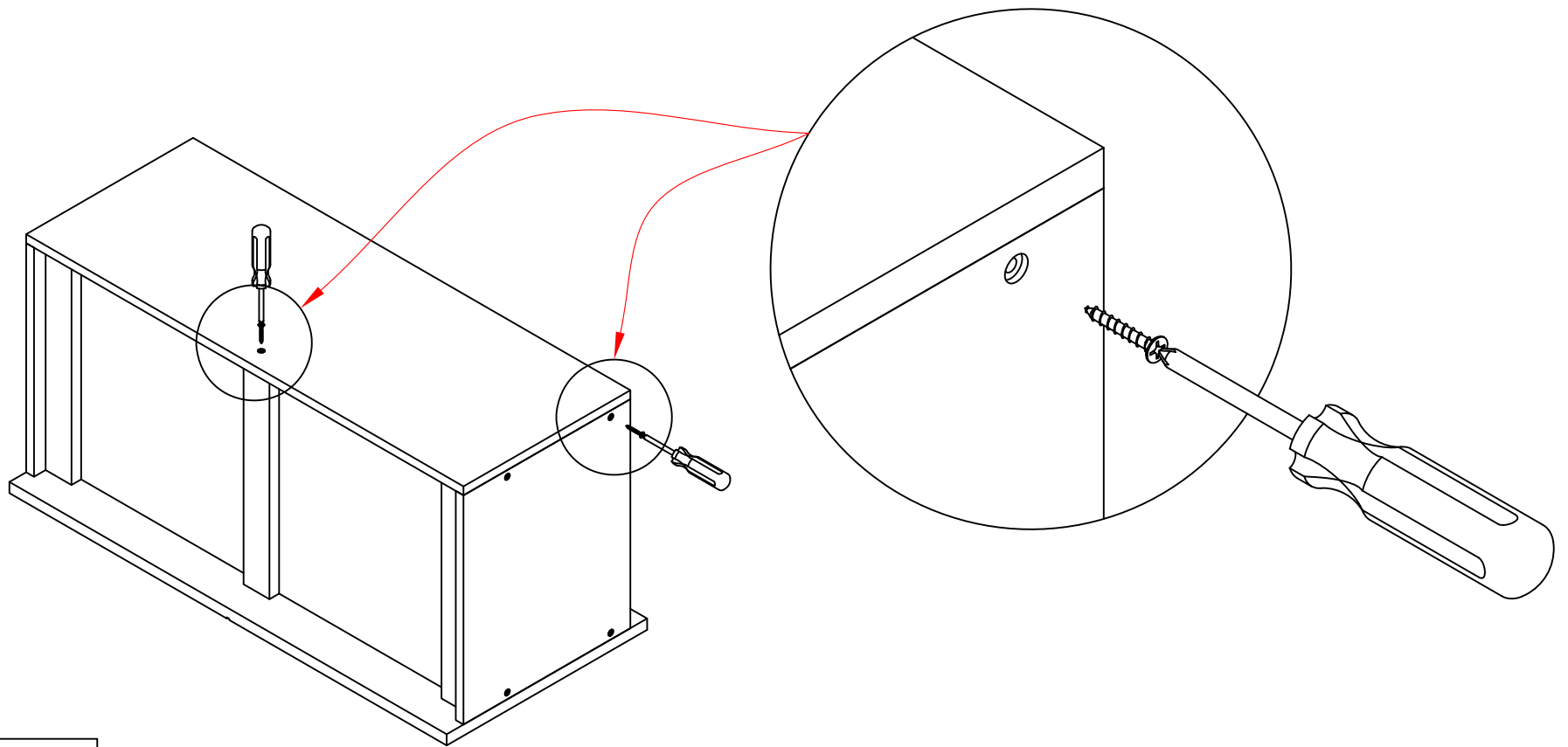
14



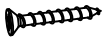
15



16

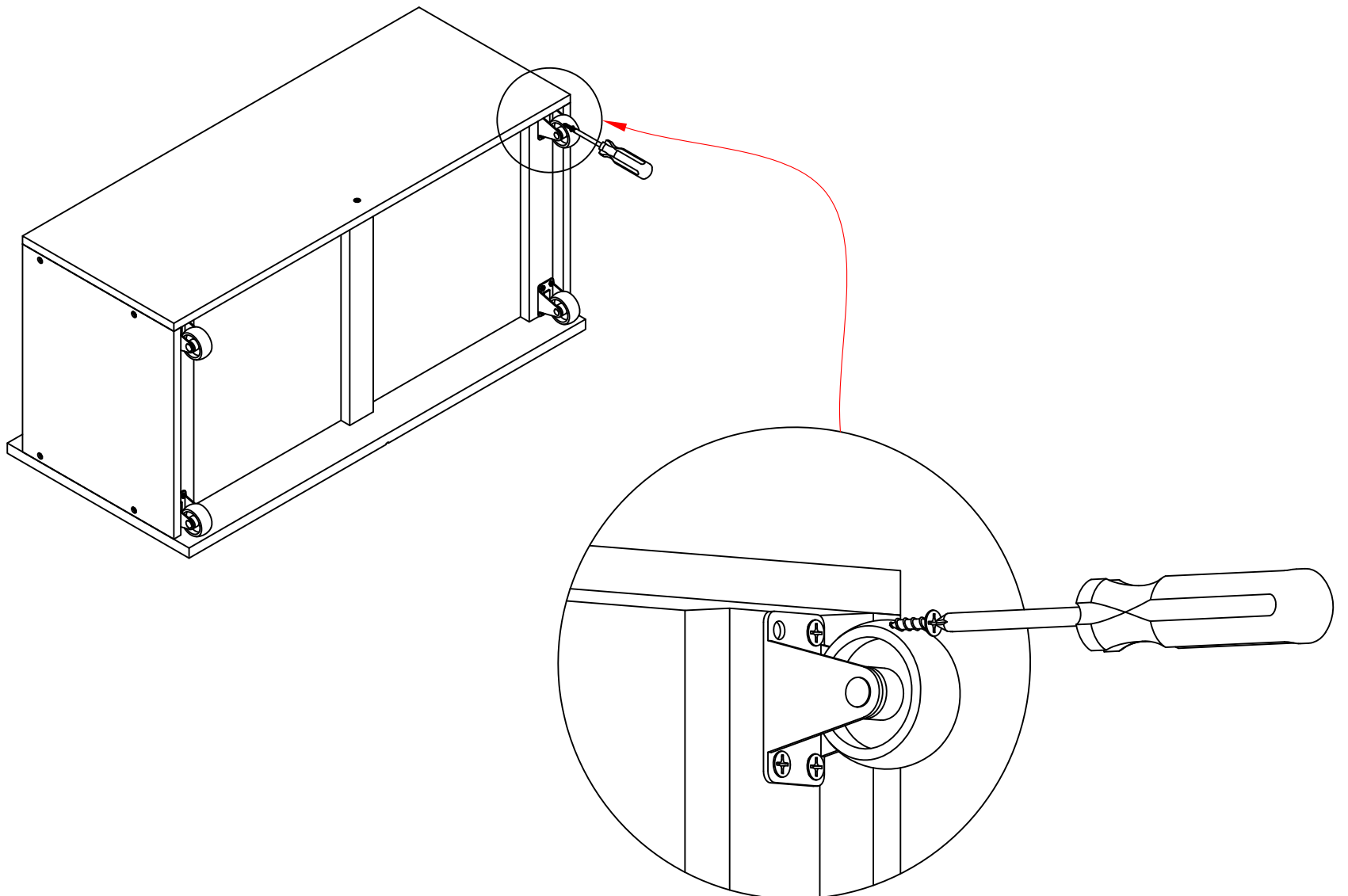


**J** M3.5 \* 25mm




X9

17

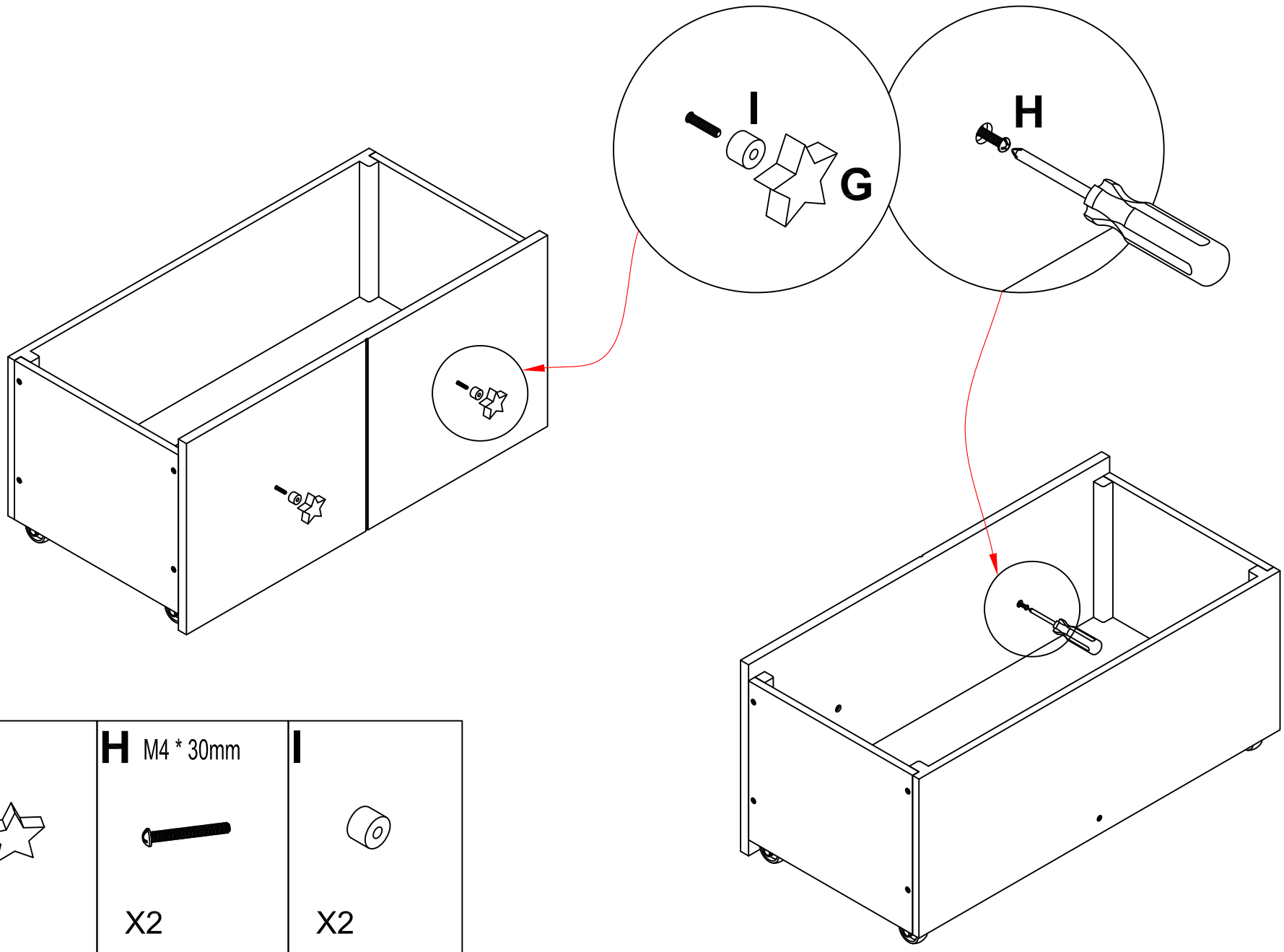


**F** M3.5 \* 15mm



X16

18



19

