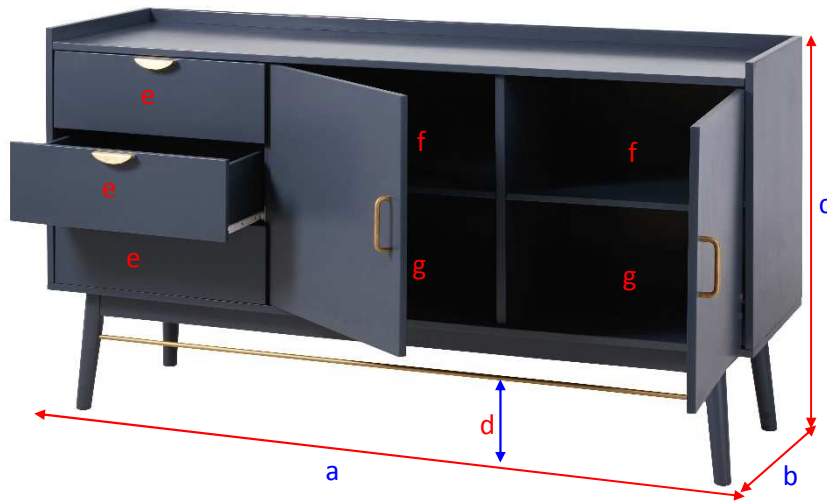


PENELOPE

187601



a = 145 cm

b = 45 cm

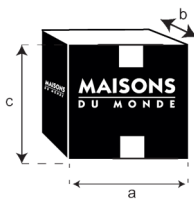
c = 80 cm

d = 15 cm

e = 41,5x34x11,5 cm

f = 45,5x40x23 cm

g = 45,5x40x24,5 cm



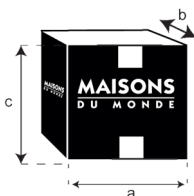
X 1

a = 156 cm

b = 52 cm

c = 17 cm

= 34 Kg



X 1

a = 111 cm

b = 54 cm

c = 15 cm

= 28 Kg