
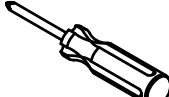
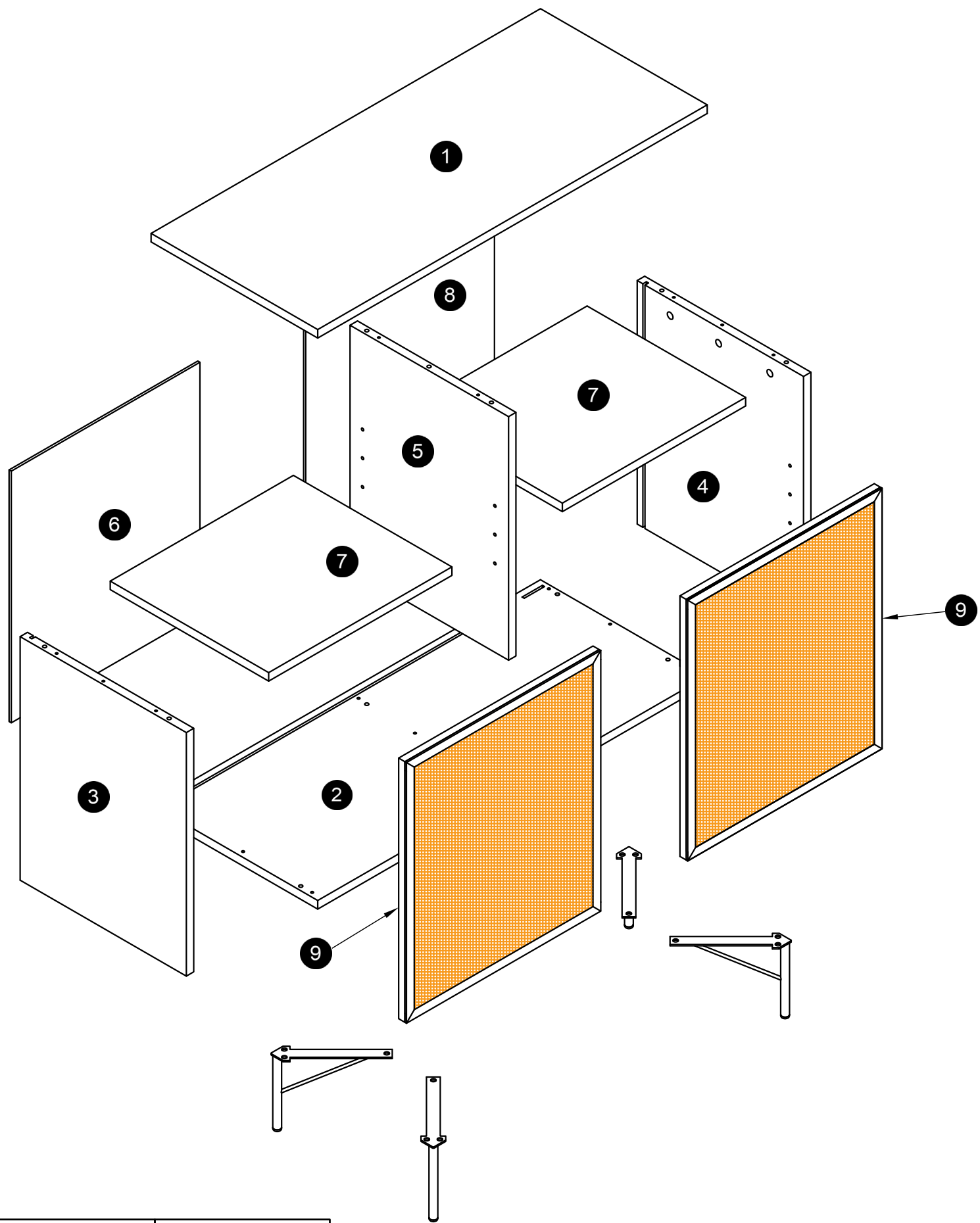
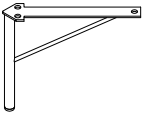
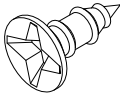
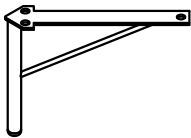
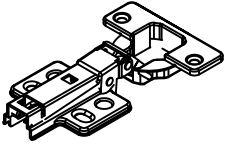
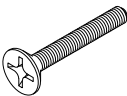
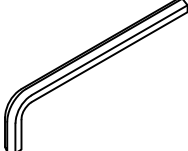
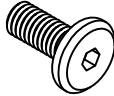
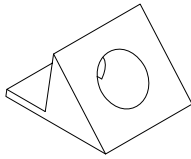
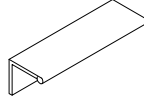
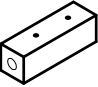

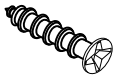
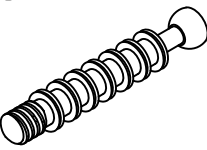


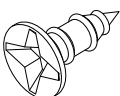
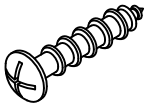
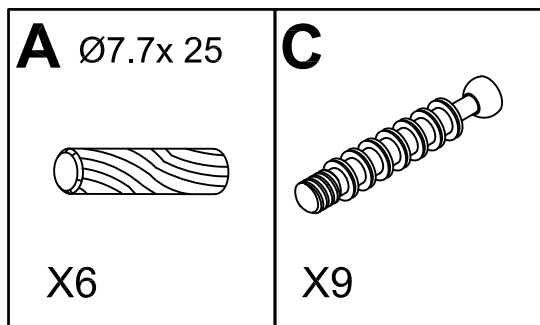
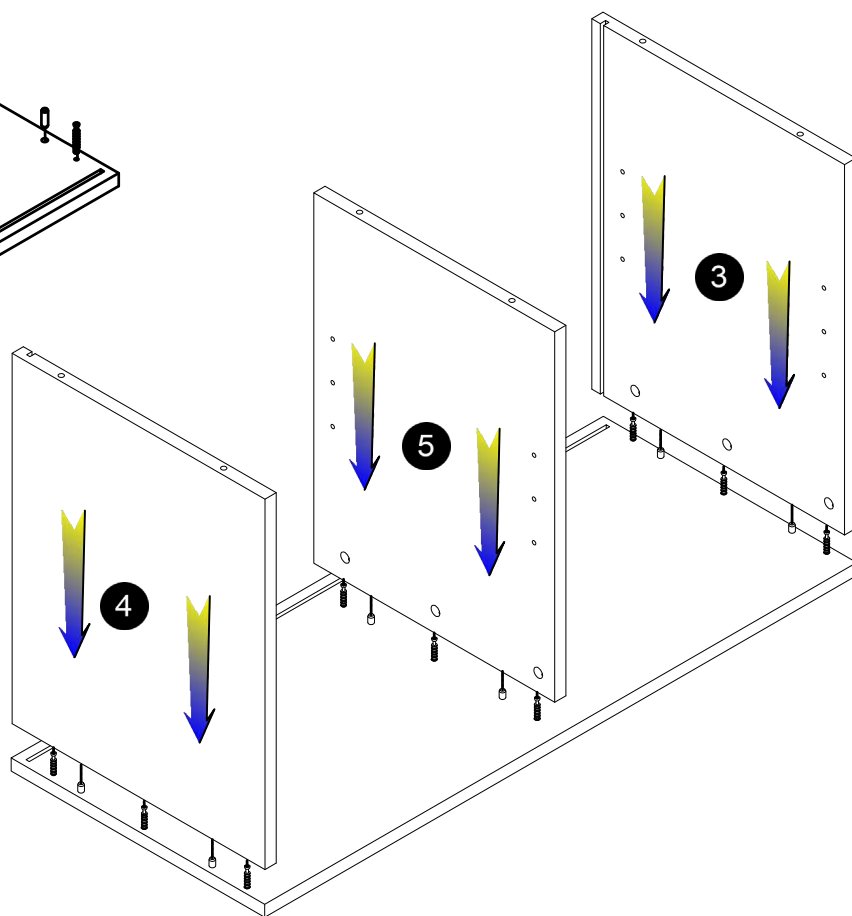
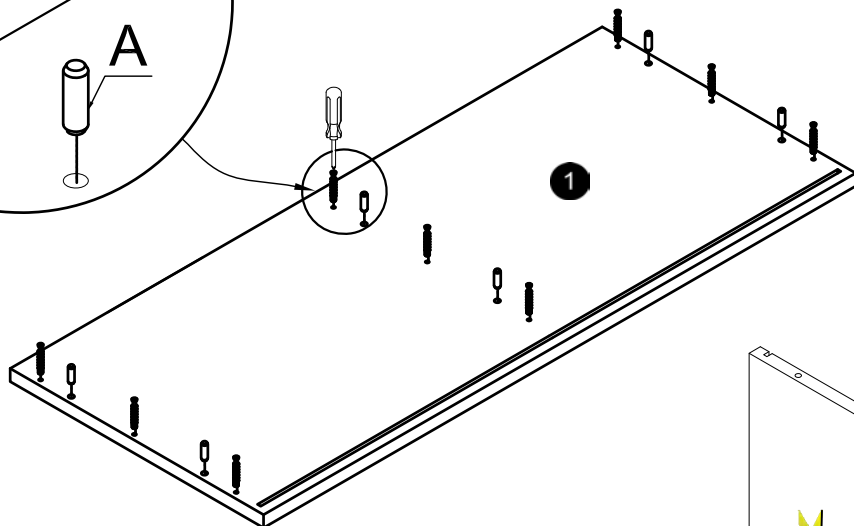
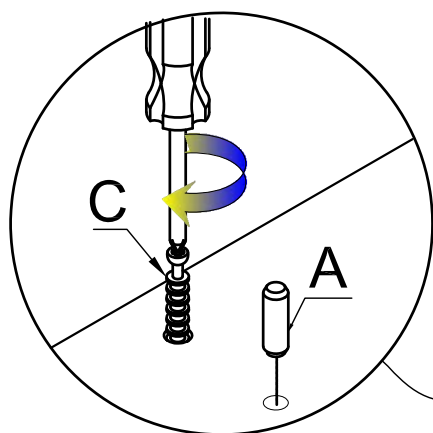
 30 MIN		
--	---	---

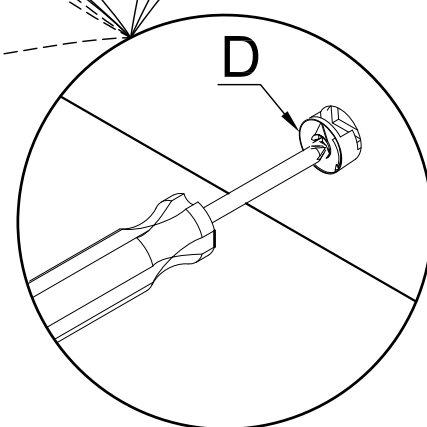
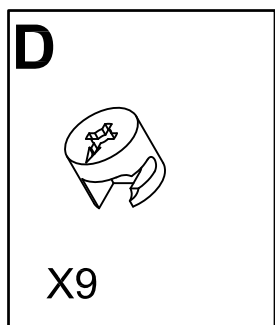
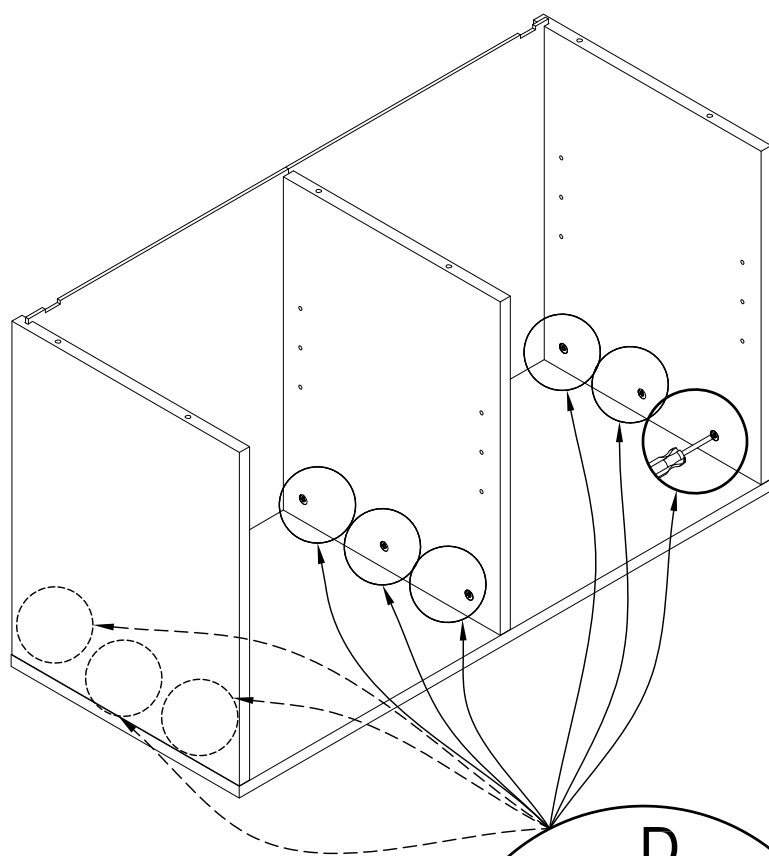
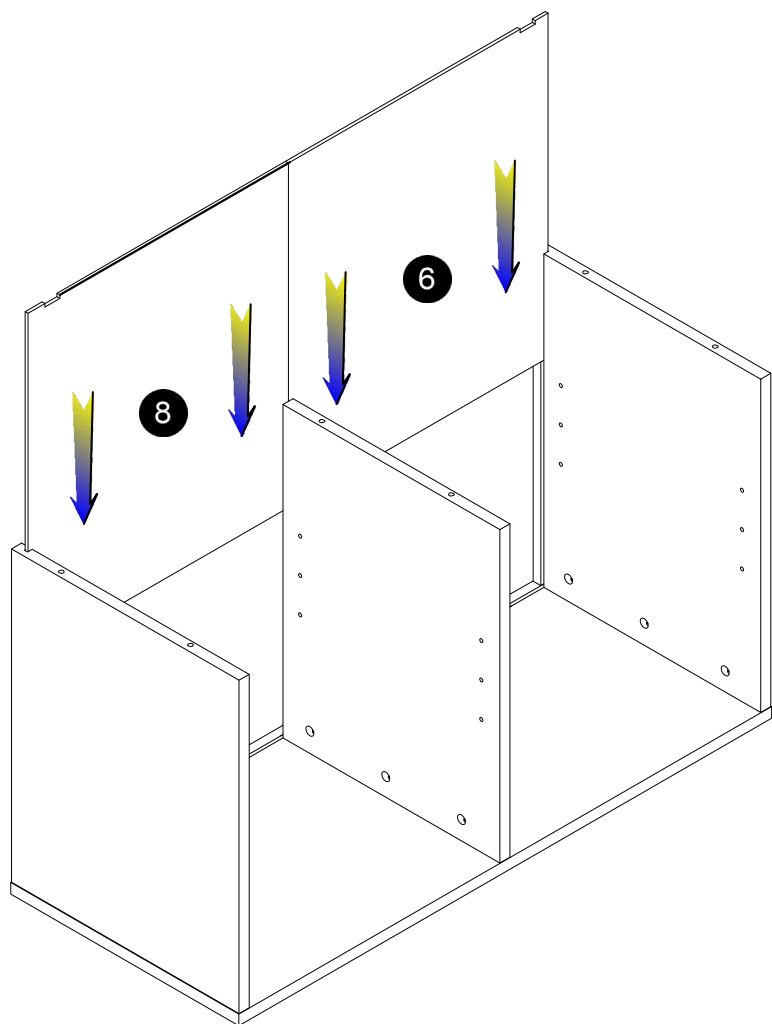


O  X4	P M3 x 15mm  X4	Q  X4				
H  X4	I 4 * 15mm  X8	J M 4  X4	K Ø6*15mm  X12	L  X6	M  X2	N  X4
A Ø7.7x 25  X12	B M3.5 x 35mm  X9	C  X9	D  X9	E  X8	F M3.5 x 15mm  X22	G P3.5 x 30mm  X12

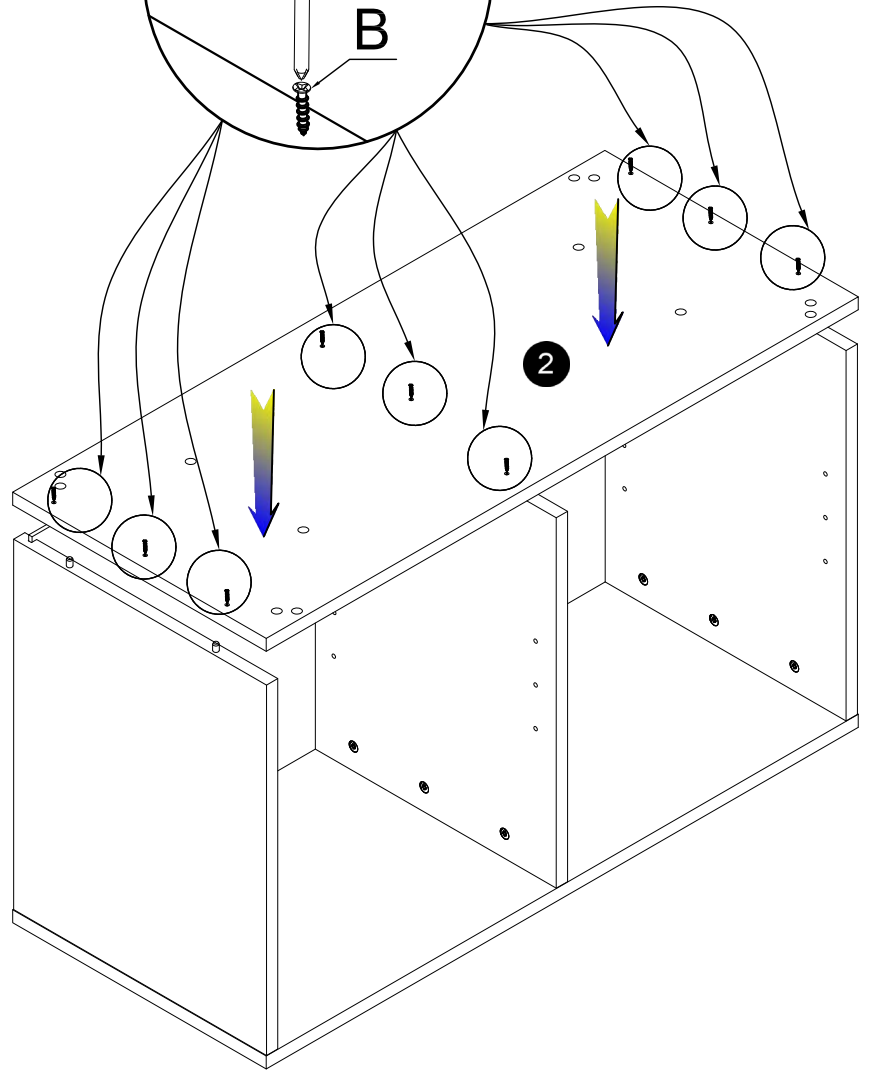
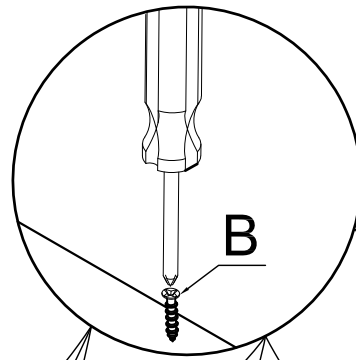
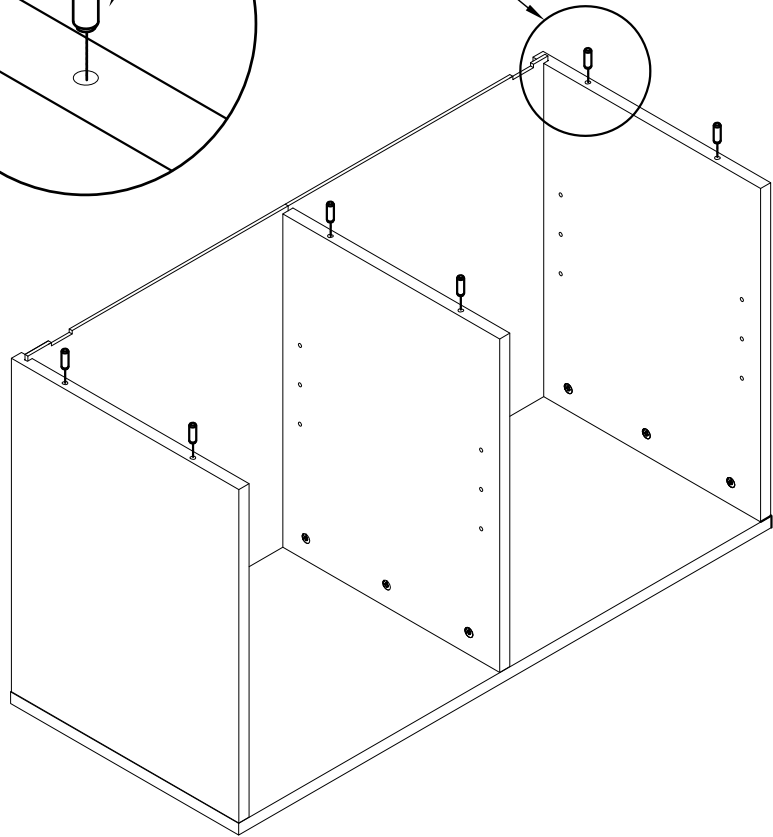
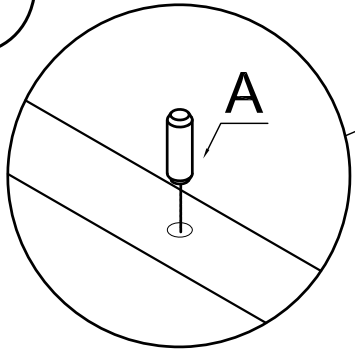
1



2

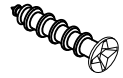


3



A Ø7.7x 25

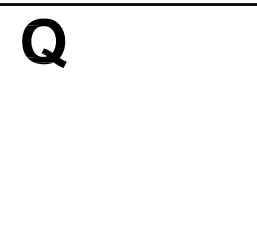
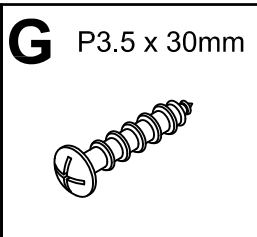
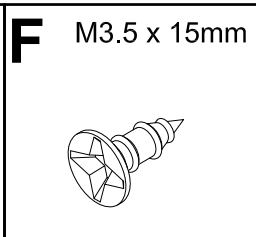
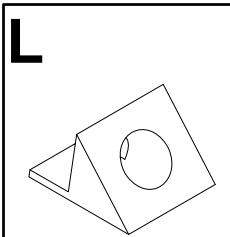
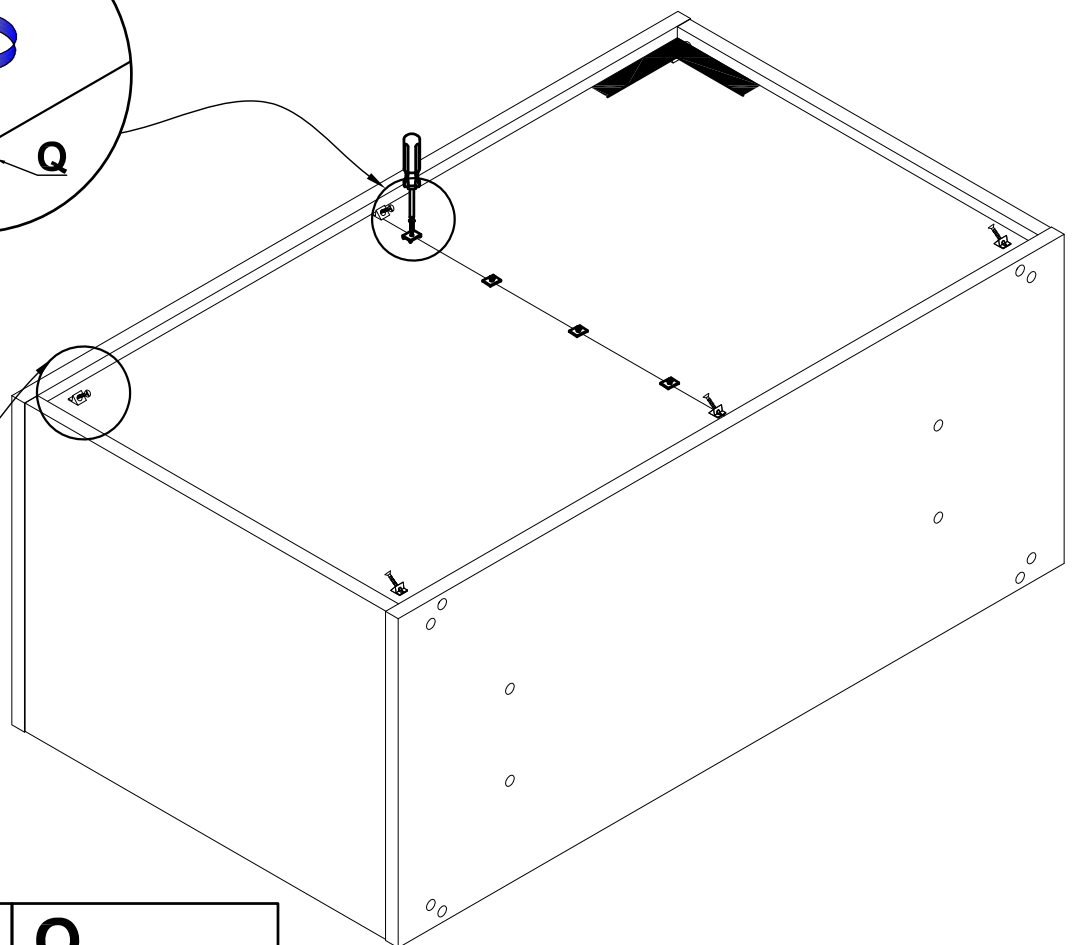
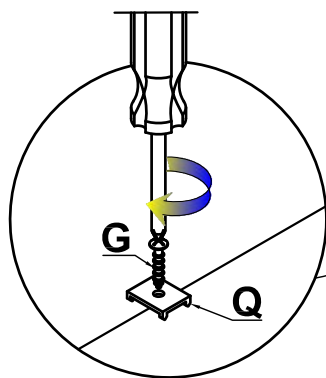
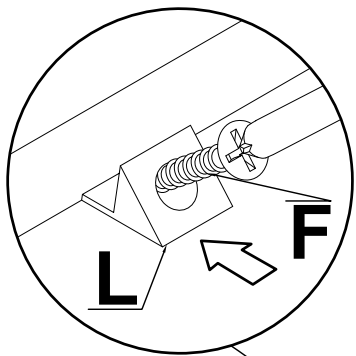
B M3.5 x 35mm



X6

X9

4



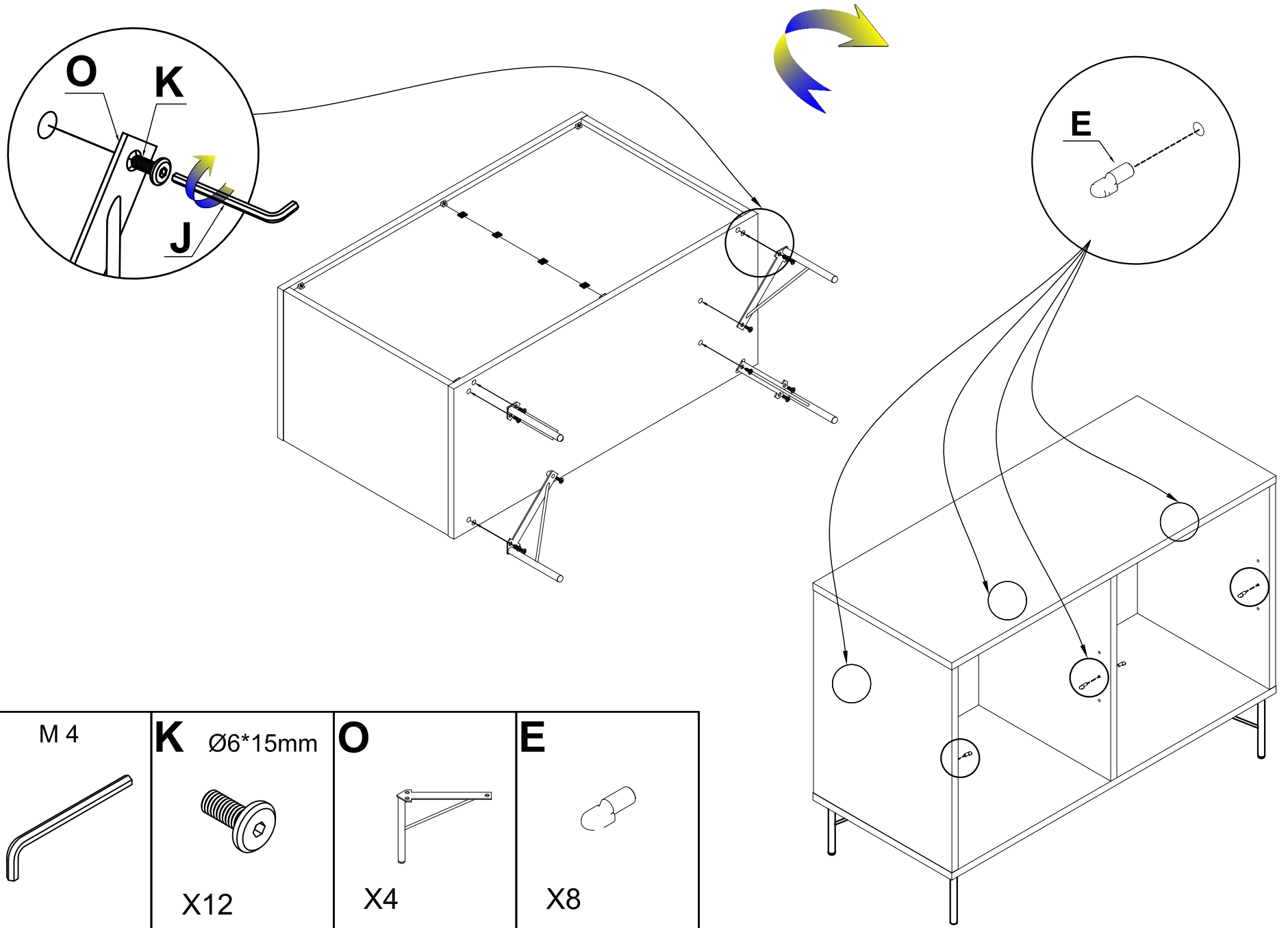
X6

X6

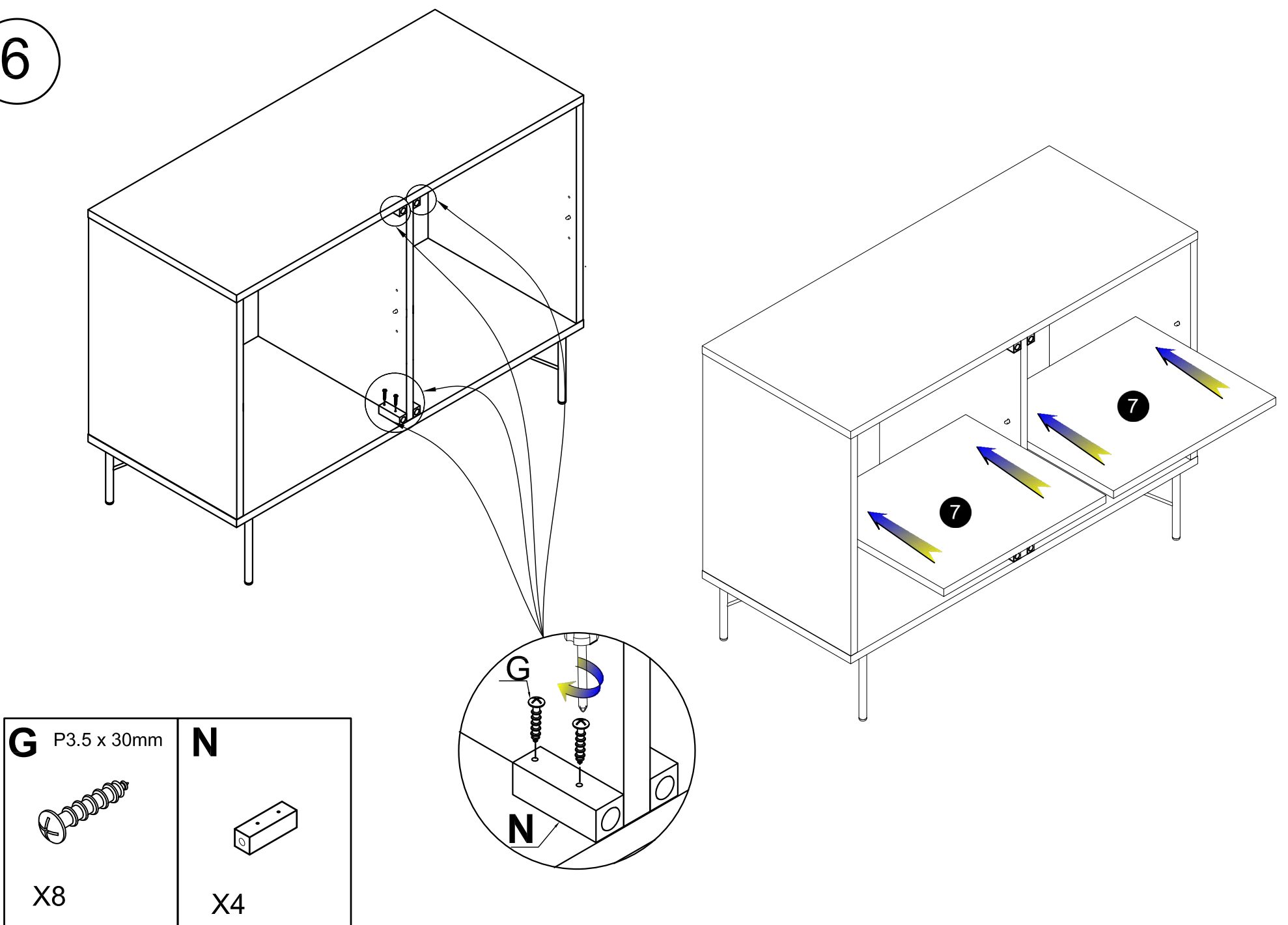
X4

X4

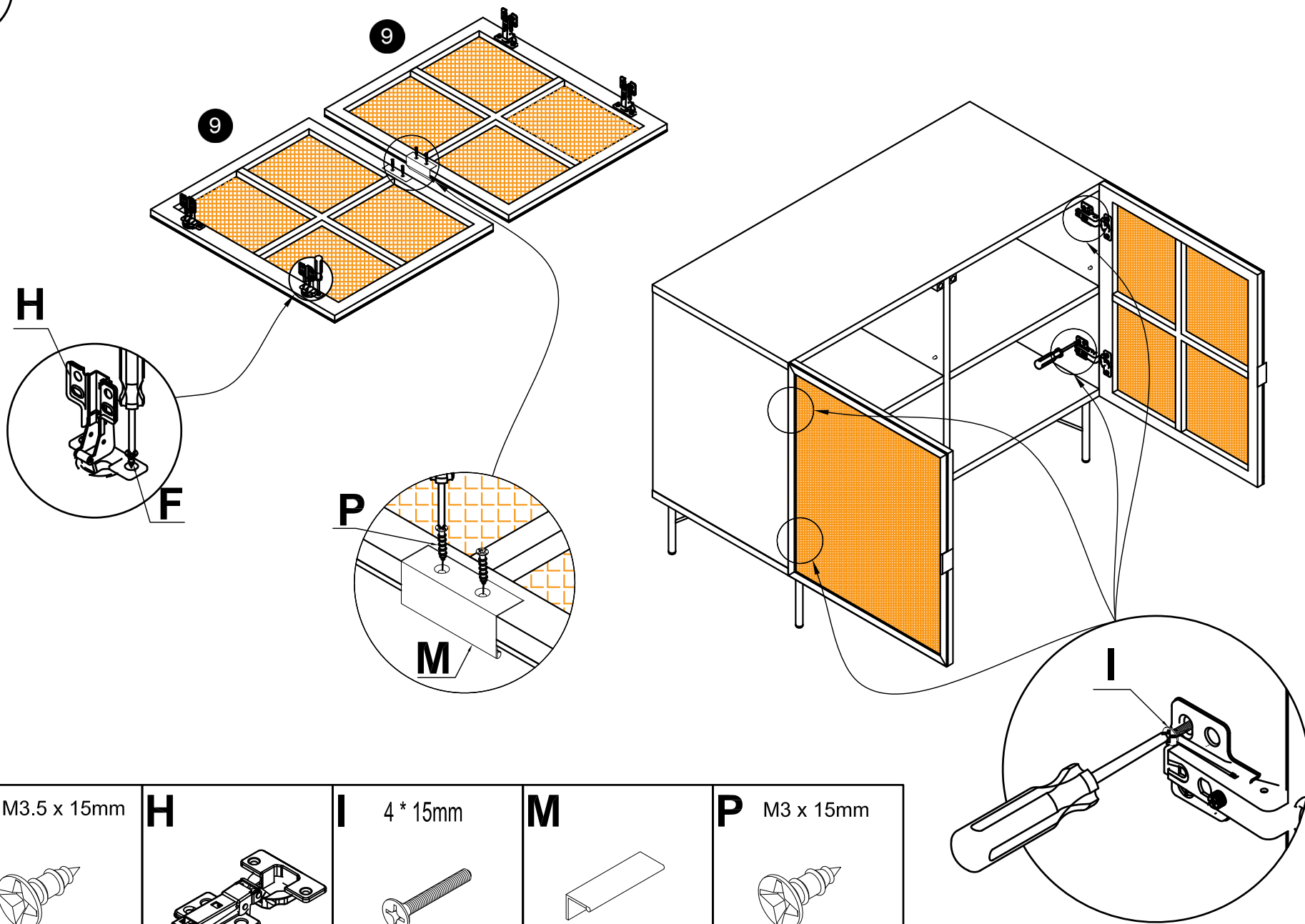
5

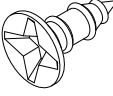
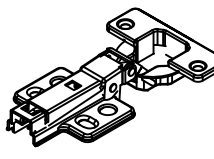
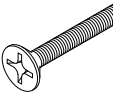
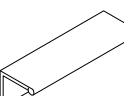
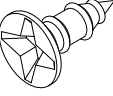


6

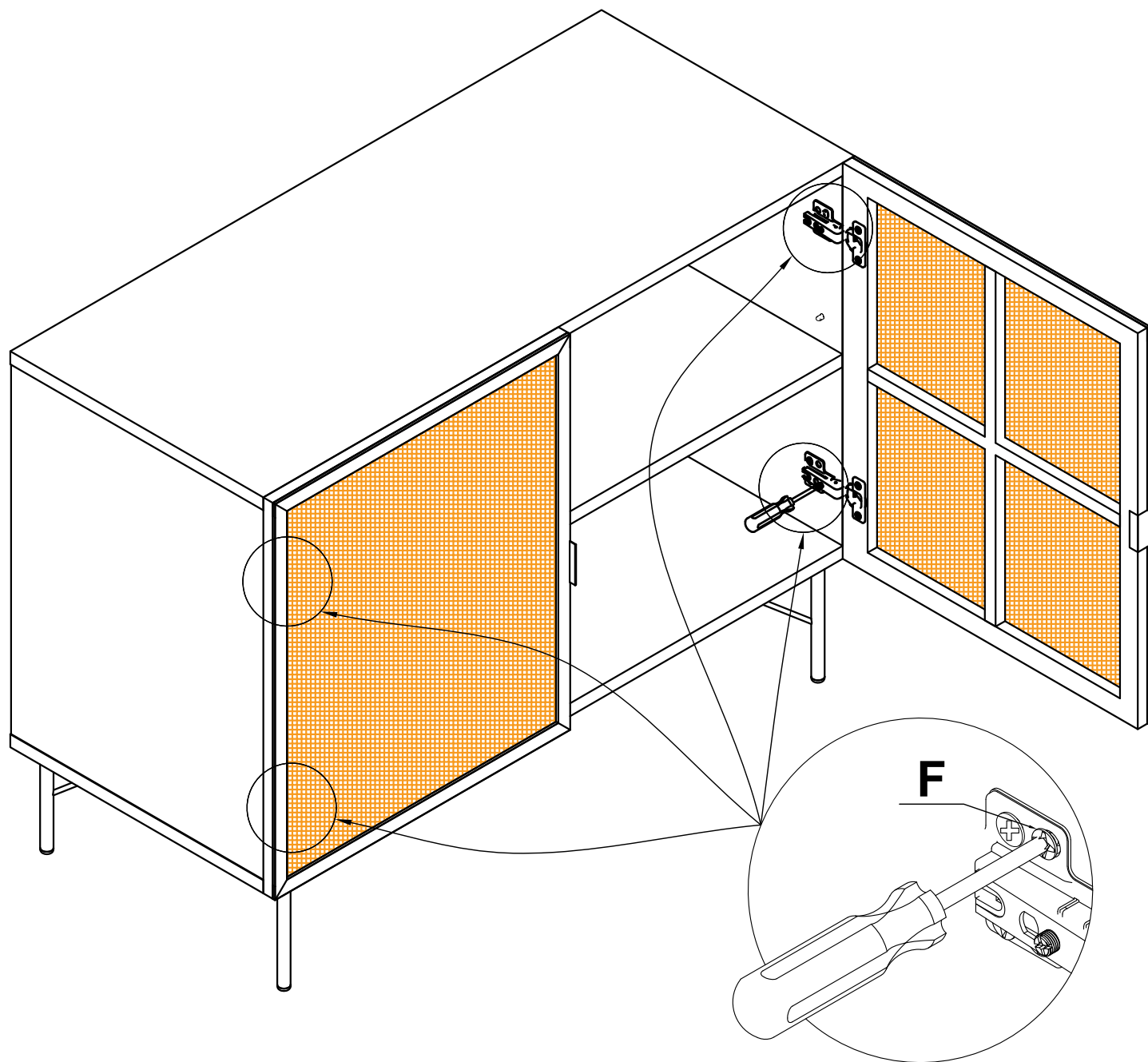


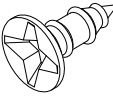
7



F M3.5 x 15mm  X8	H  X4	I 4 * 15mm  X8	M  X2	P M3 x 15mm  X4
---	---	--	--	---

8



F M3.5 x 15mm  X8
