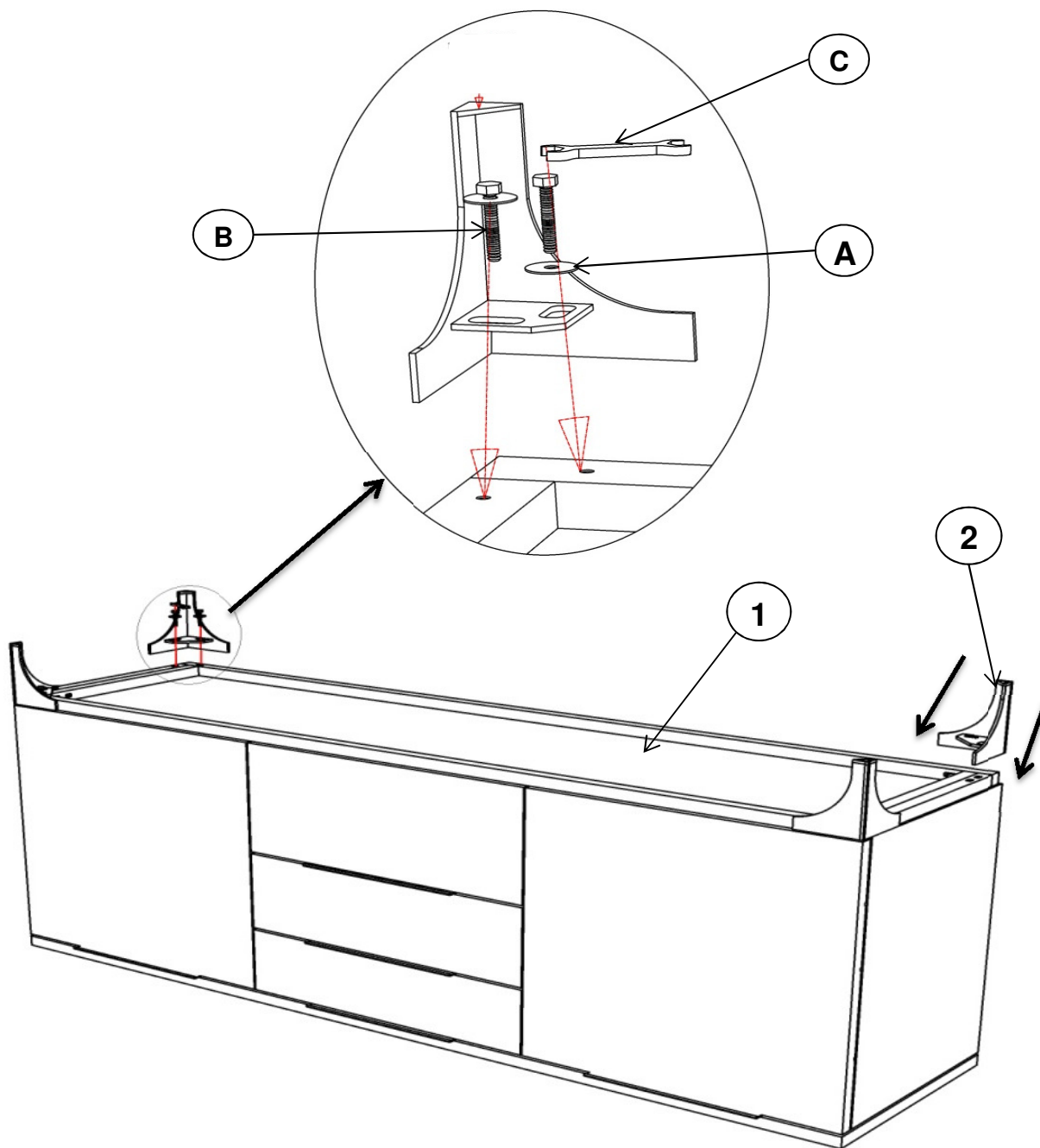

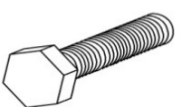
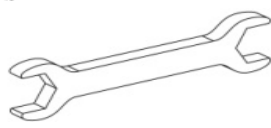
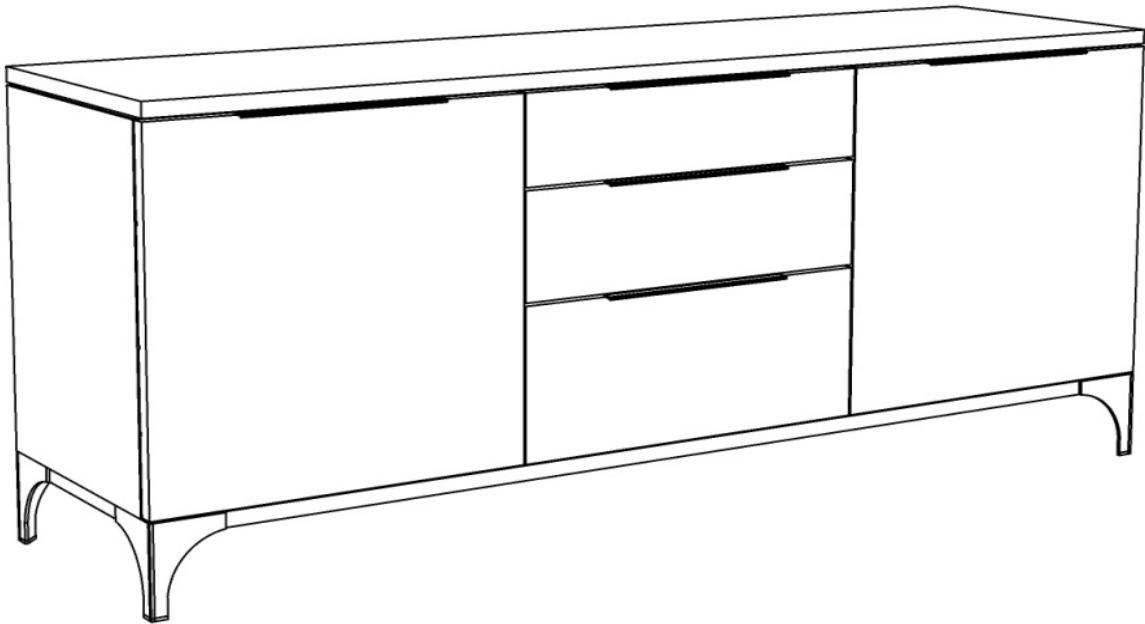
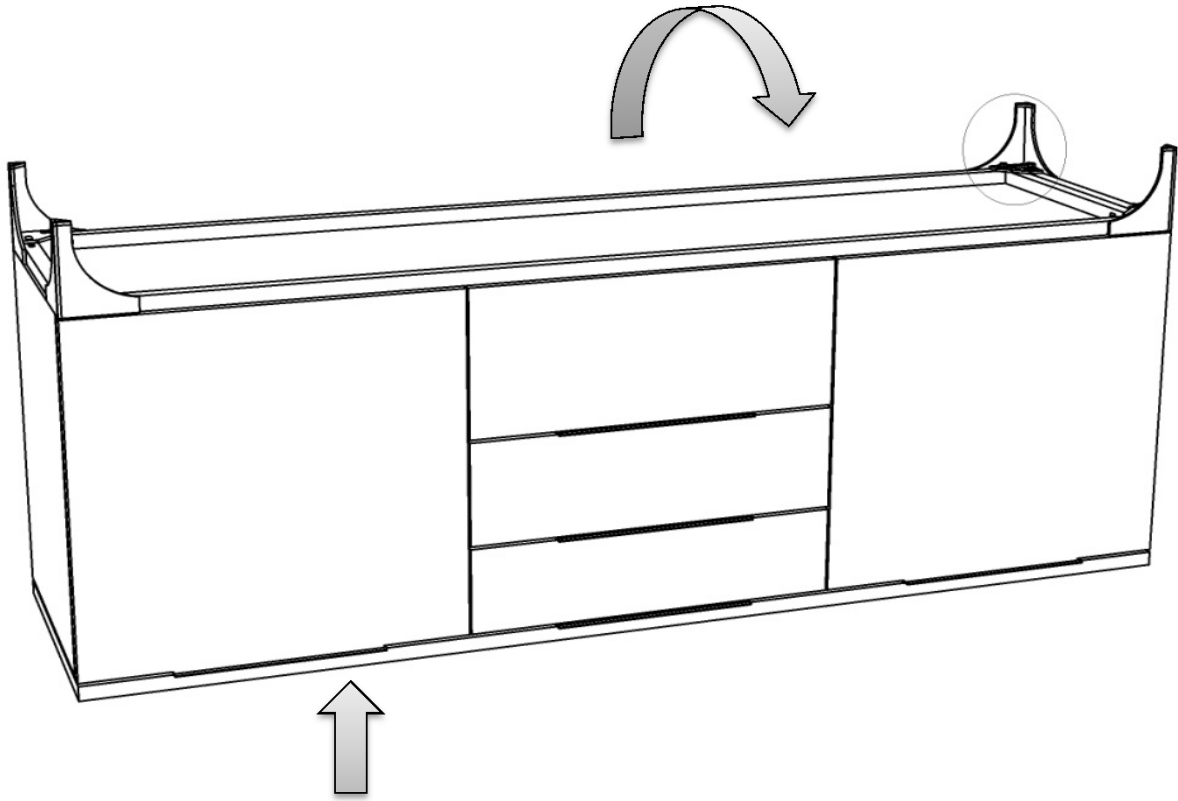


1



<p>A</p>  <p>M8 X8</p>	<p>B</p>  <p>Ø8X20MM X8</p>	<p>C</p>  <p>X1</p>
---	--	---



3

