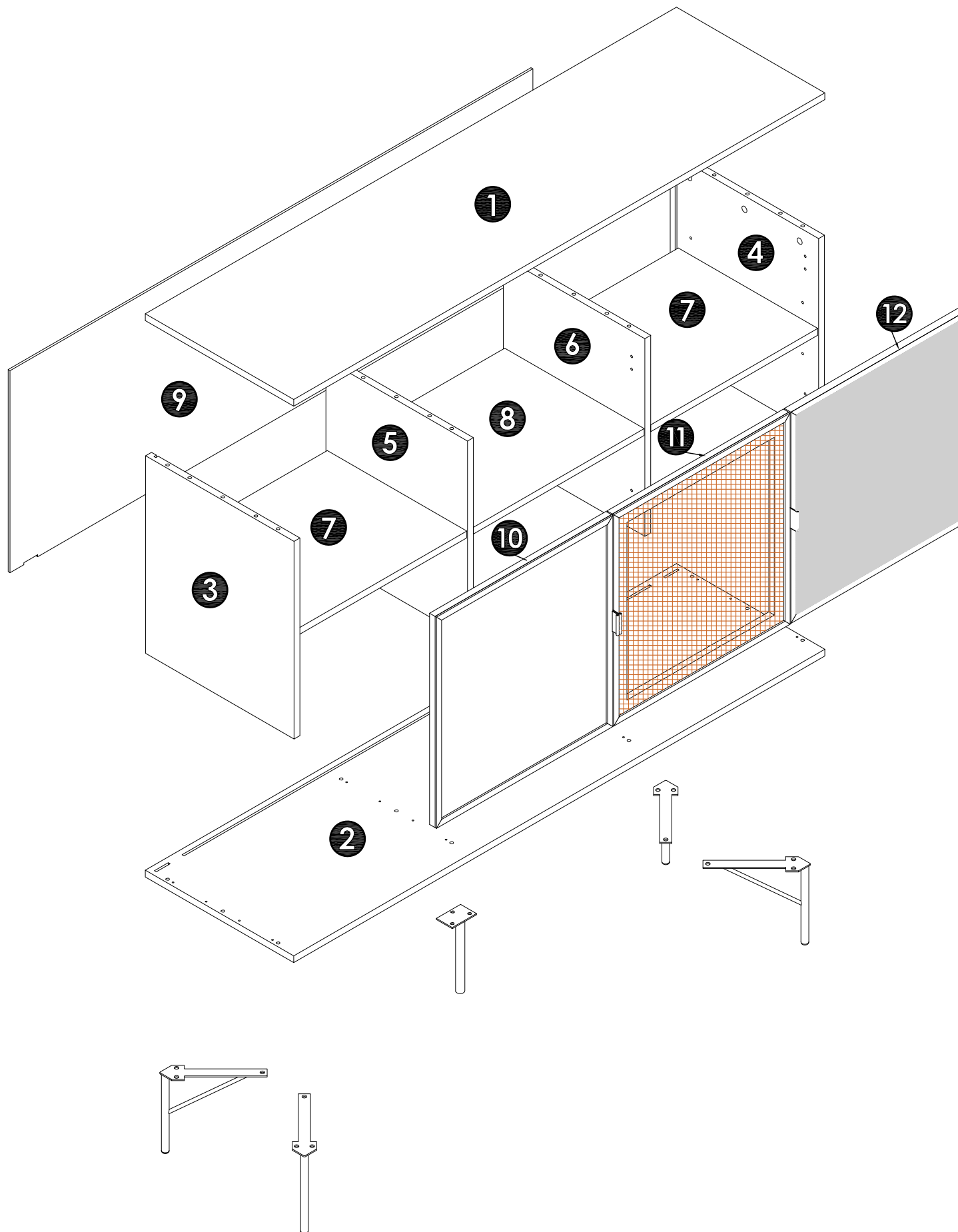
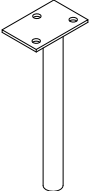
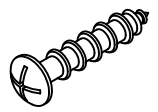
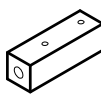
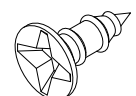
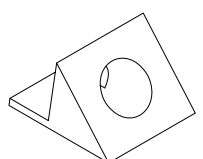

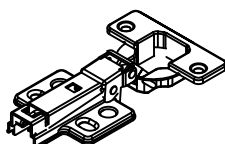
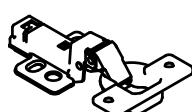
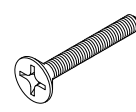
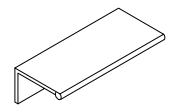
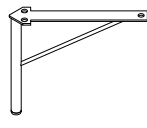


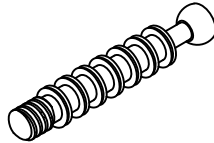

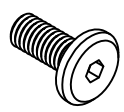
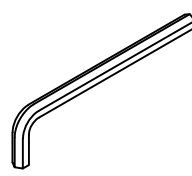
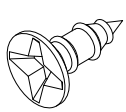
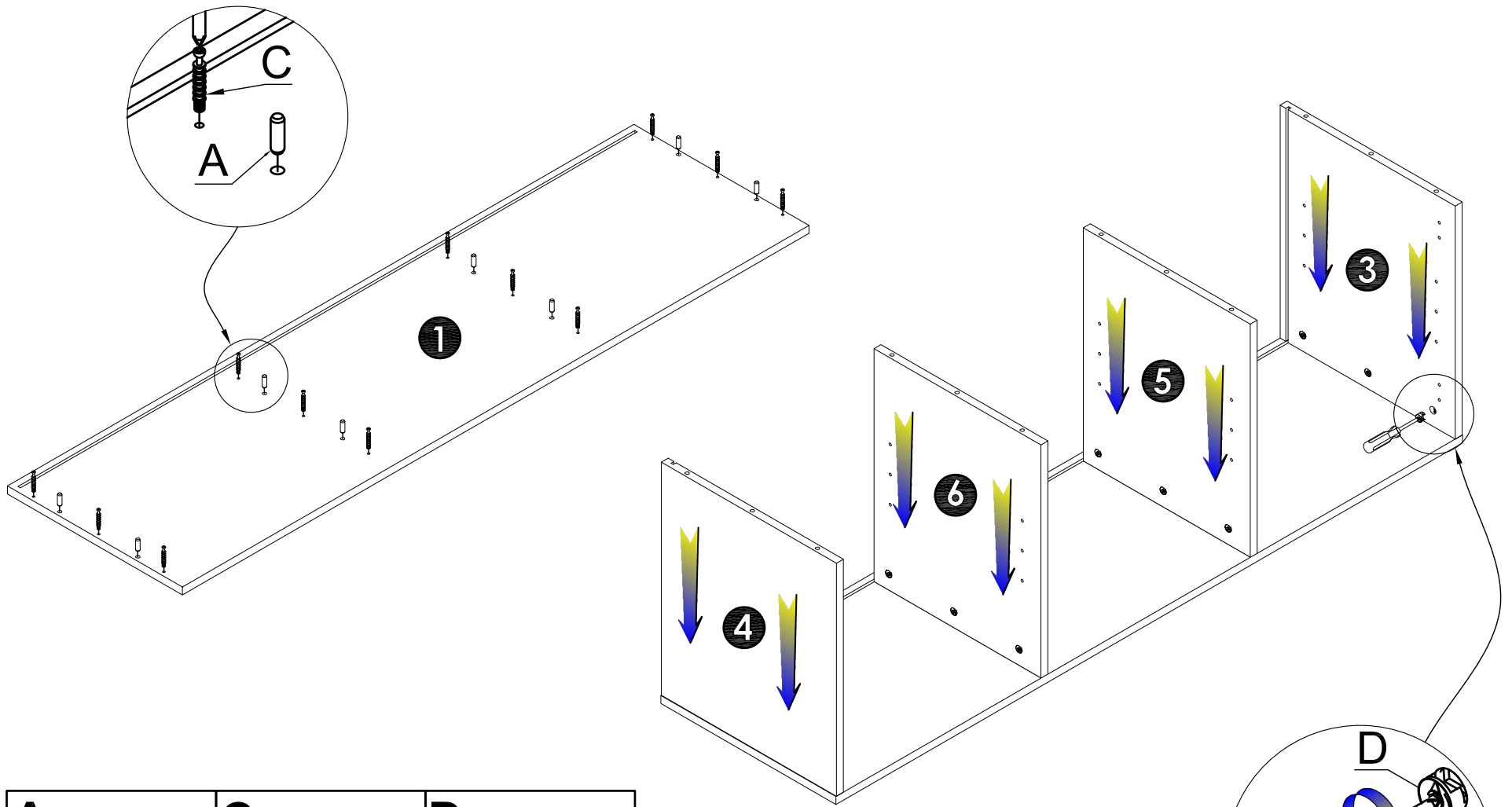



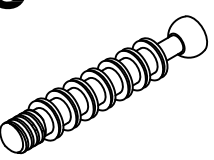

⌚ 30 MIN	👤 👤	🔪
----------	-----	---

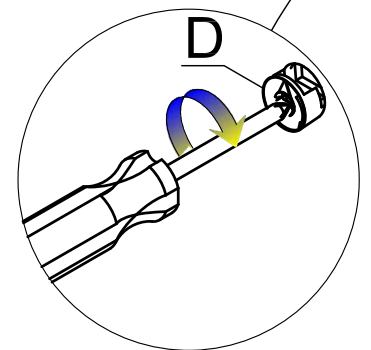


O  X1	P P3.5 x 30mm  X18	Q  X6	R M3 x 12mm  X6			
H  X6	I  X12	J  X4	K  X2	L M4 x 15mm  X12	M  X3	N  X4
A Ø7.7x 25  X20	B M3.5 x 35mm  X16	C  X12	D  X12	E Ø6*15mm  X15	F M 4  X1	G M3.5 x 15mm  X30

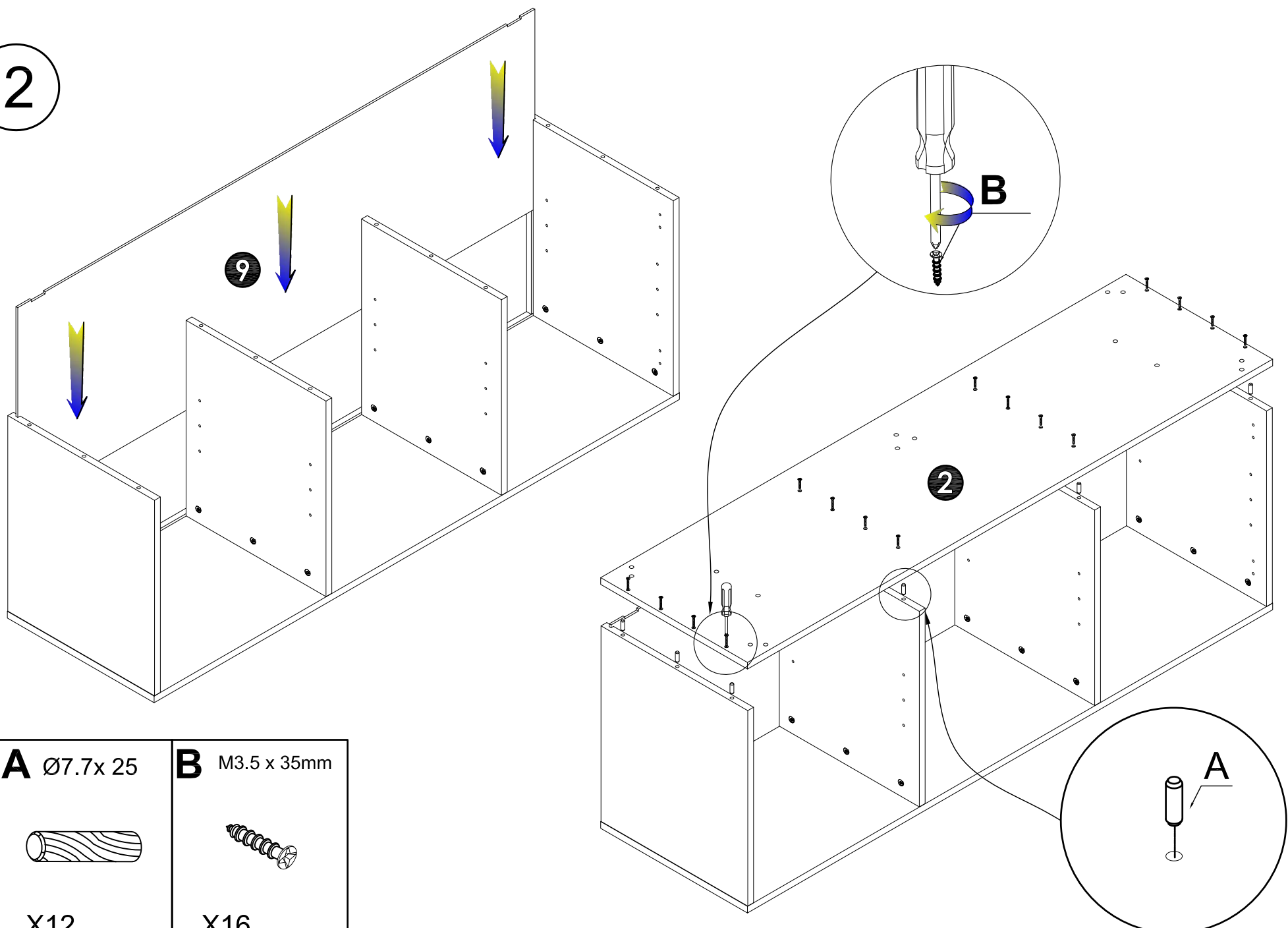
1


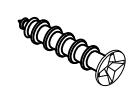


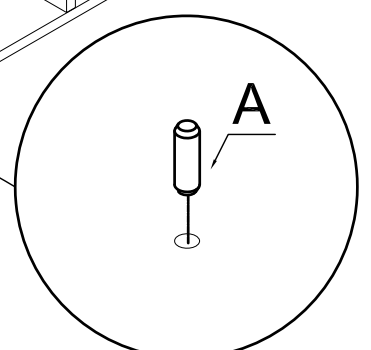
A Ø7.7x 25	C	D
		
X8	X12	X12



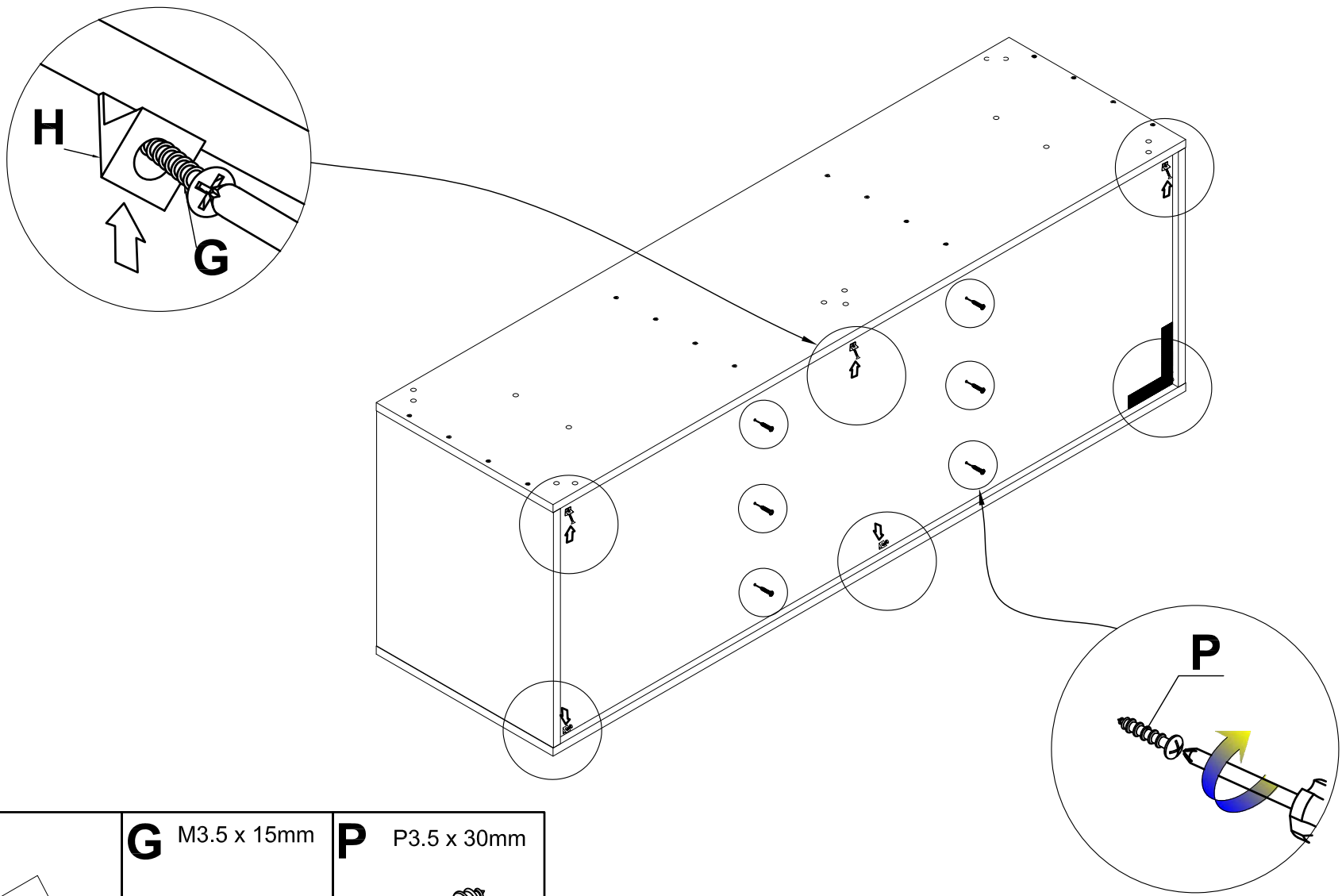
2

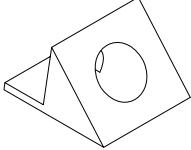
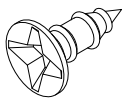
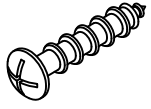


A Ø7.7x 25	B M3.5 x 35mm
	
X12	X16

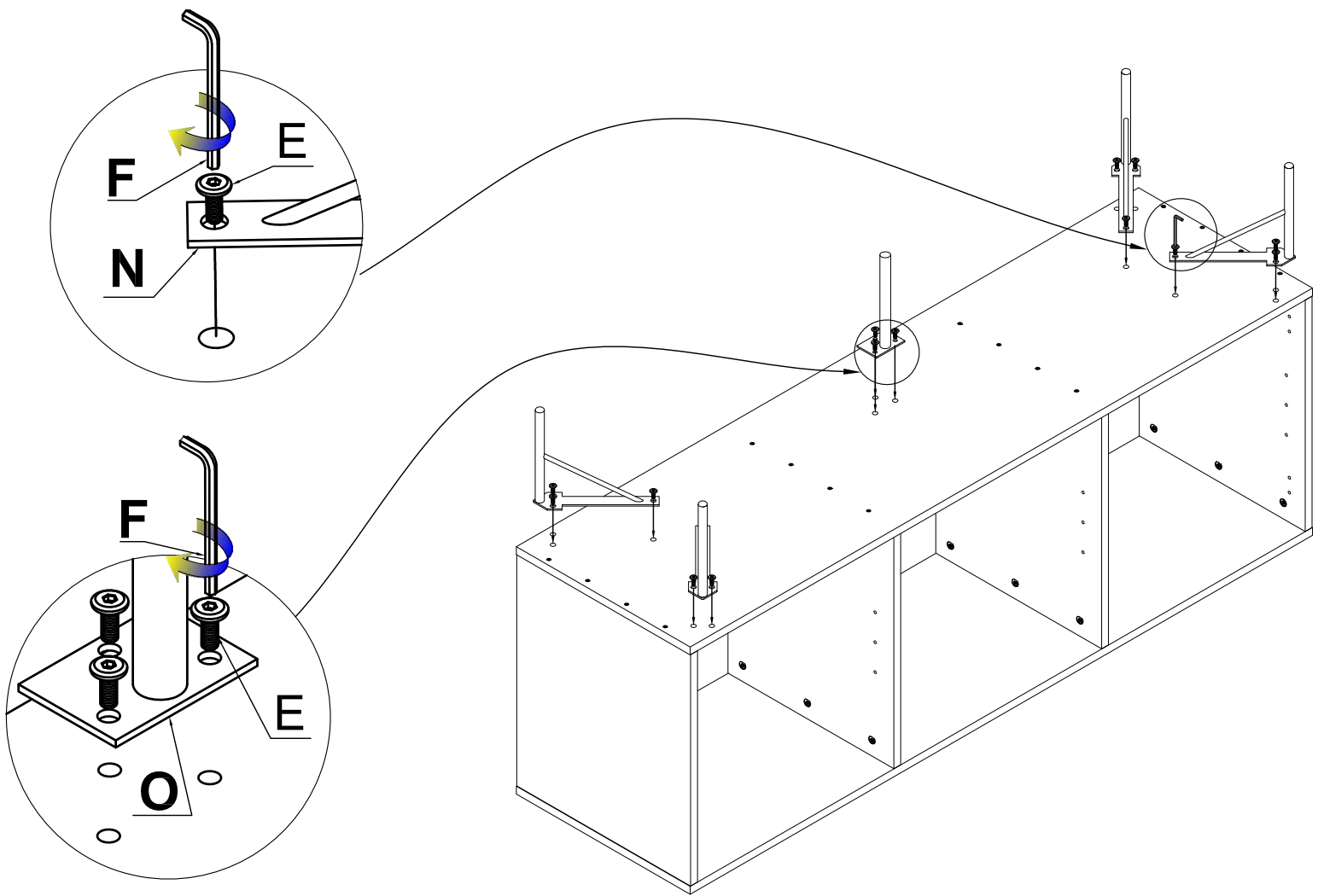


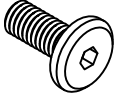
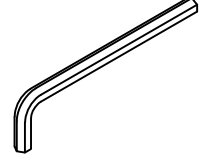
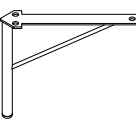
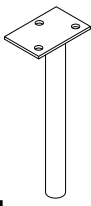
3



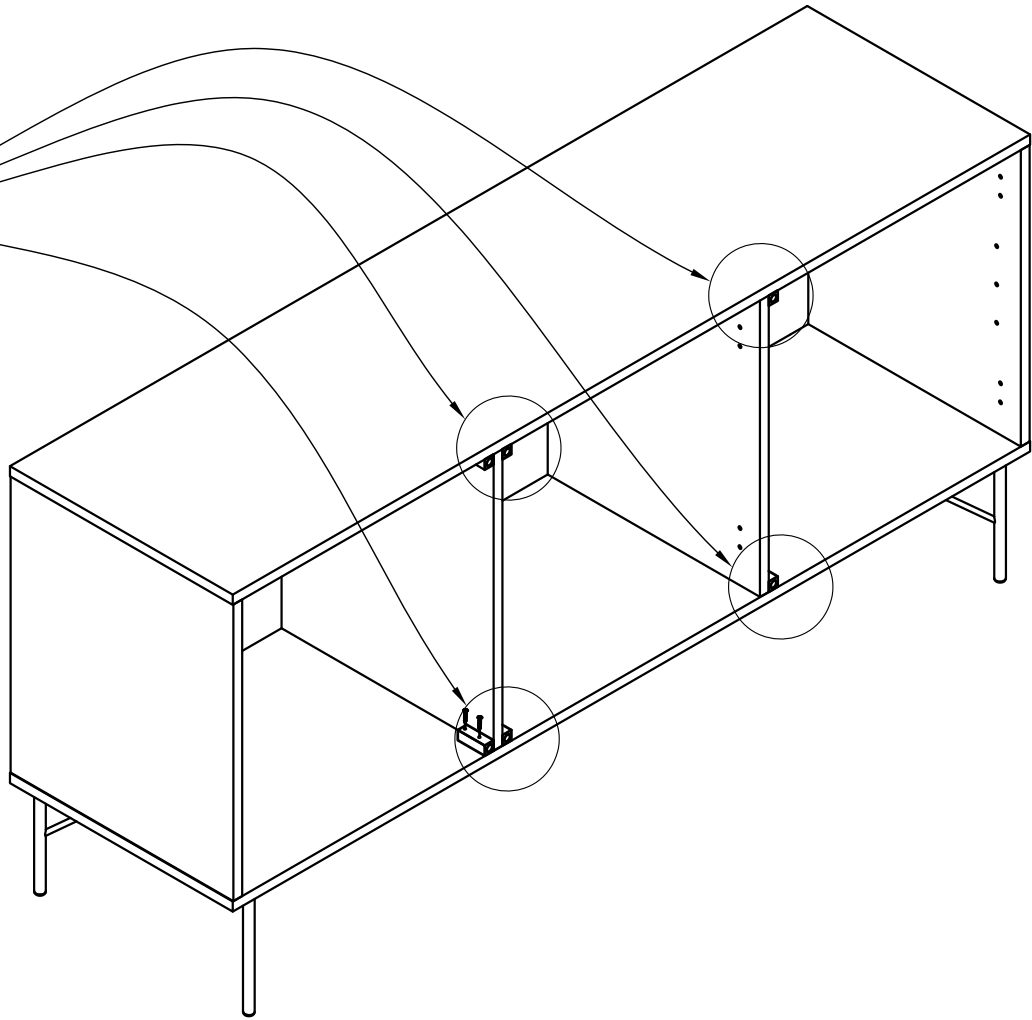
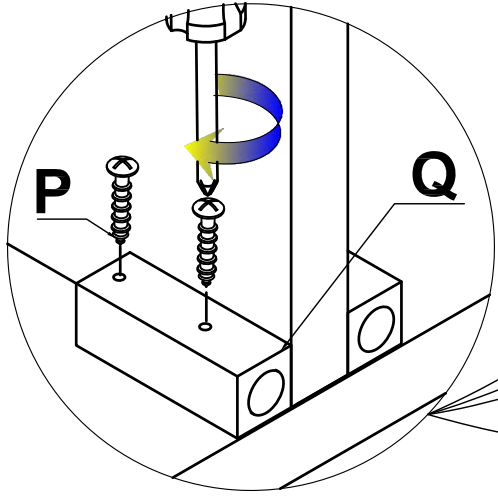
H	G M3.5 x 15mm	P P3.5 x 30mm
		
X6	X6	X6

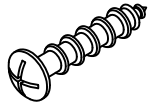
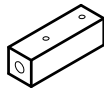
4



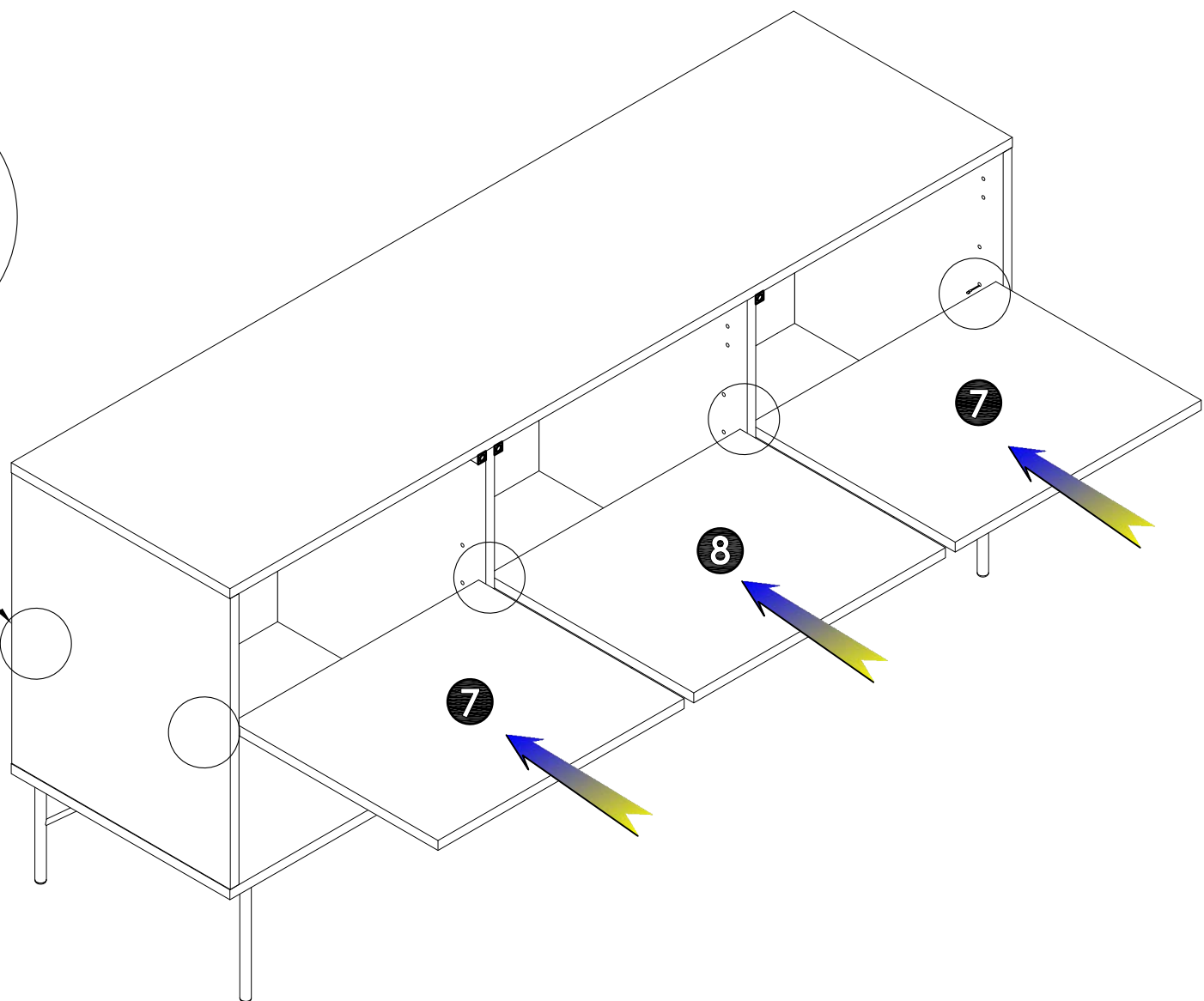
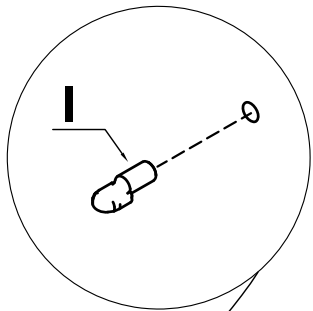
E Ø6*15mm	F M 4	N	O
			
X15	X1	X4	X1


5



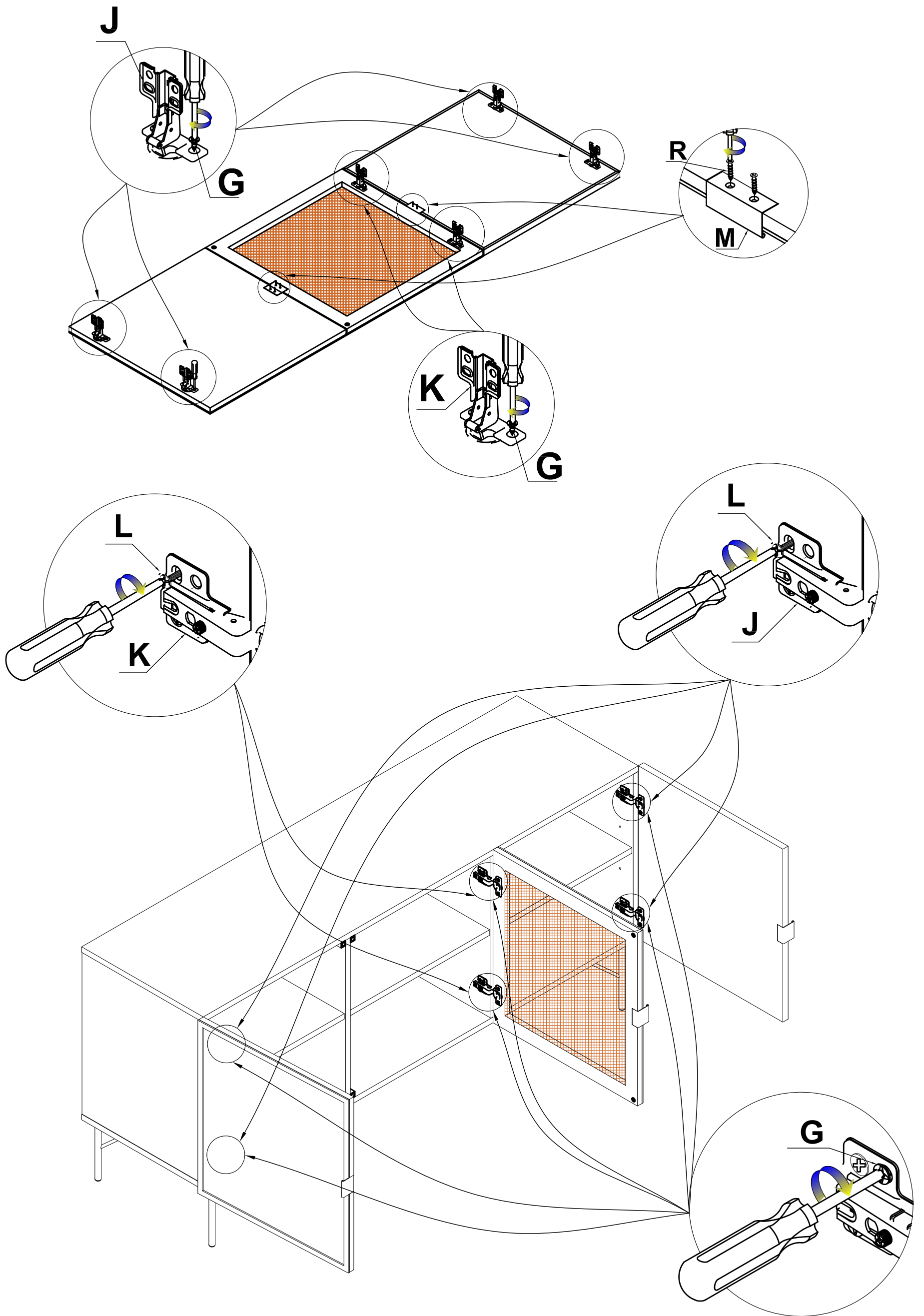
P P3.5 x 30mm  X12	Q  X6
--	---

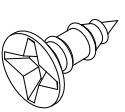
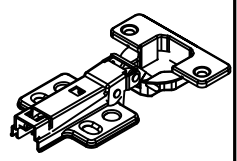
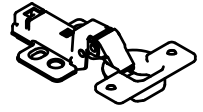
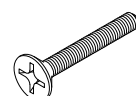
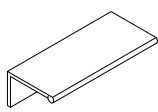
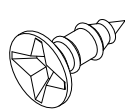
6



I  X12
--

7



G M3.5 x 15mm  X24	J  X4	K  X2	L M4 x 15mm  X12	M  X3	R M3 x 12mm  X6
--	---	---	---	---	---