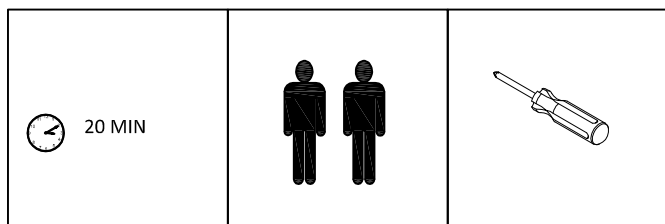
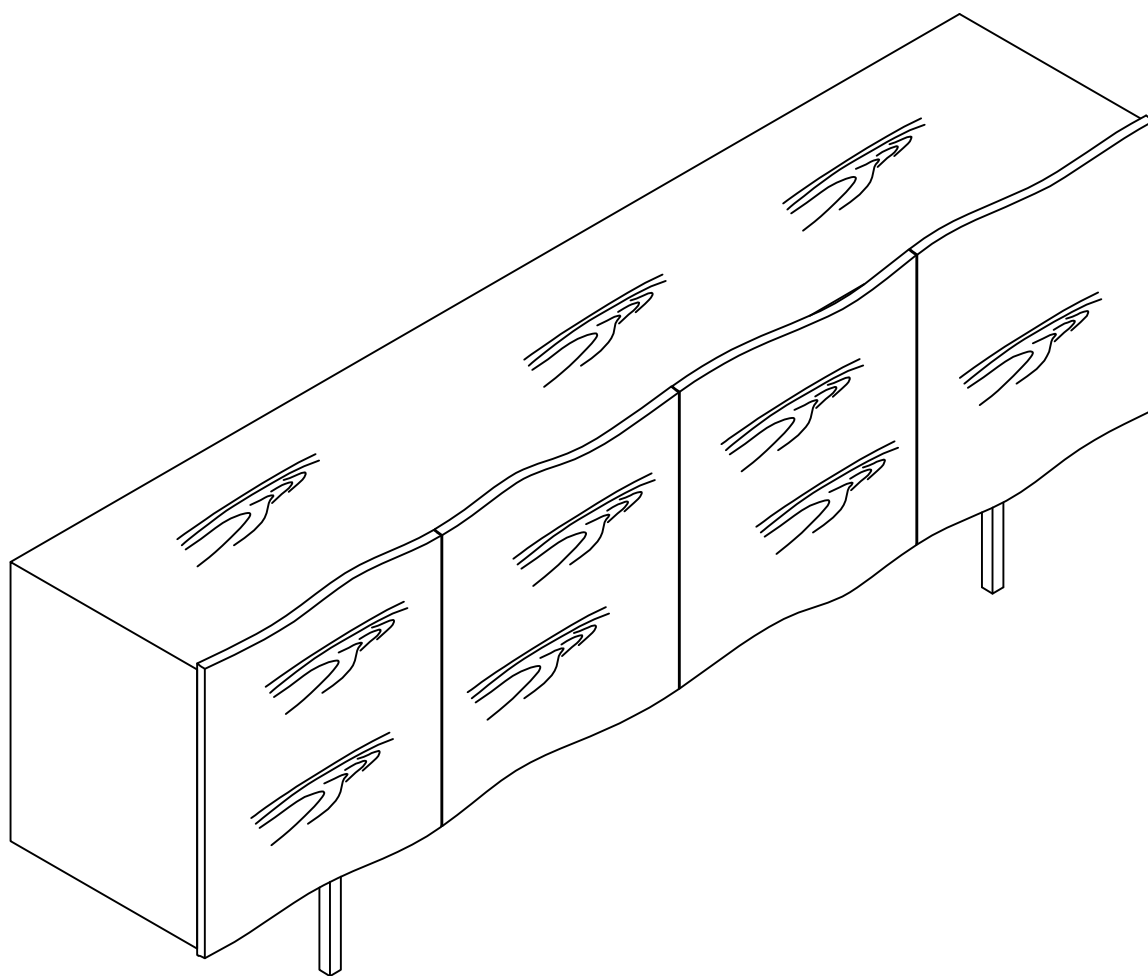
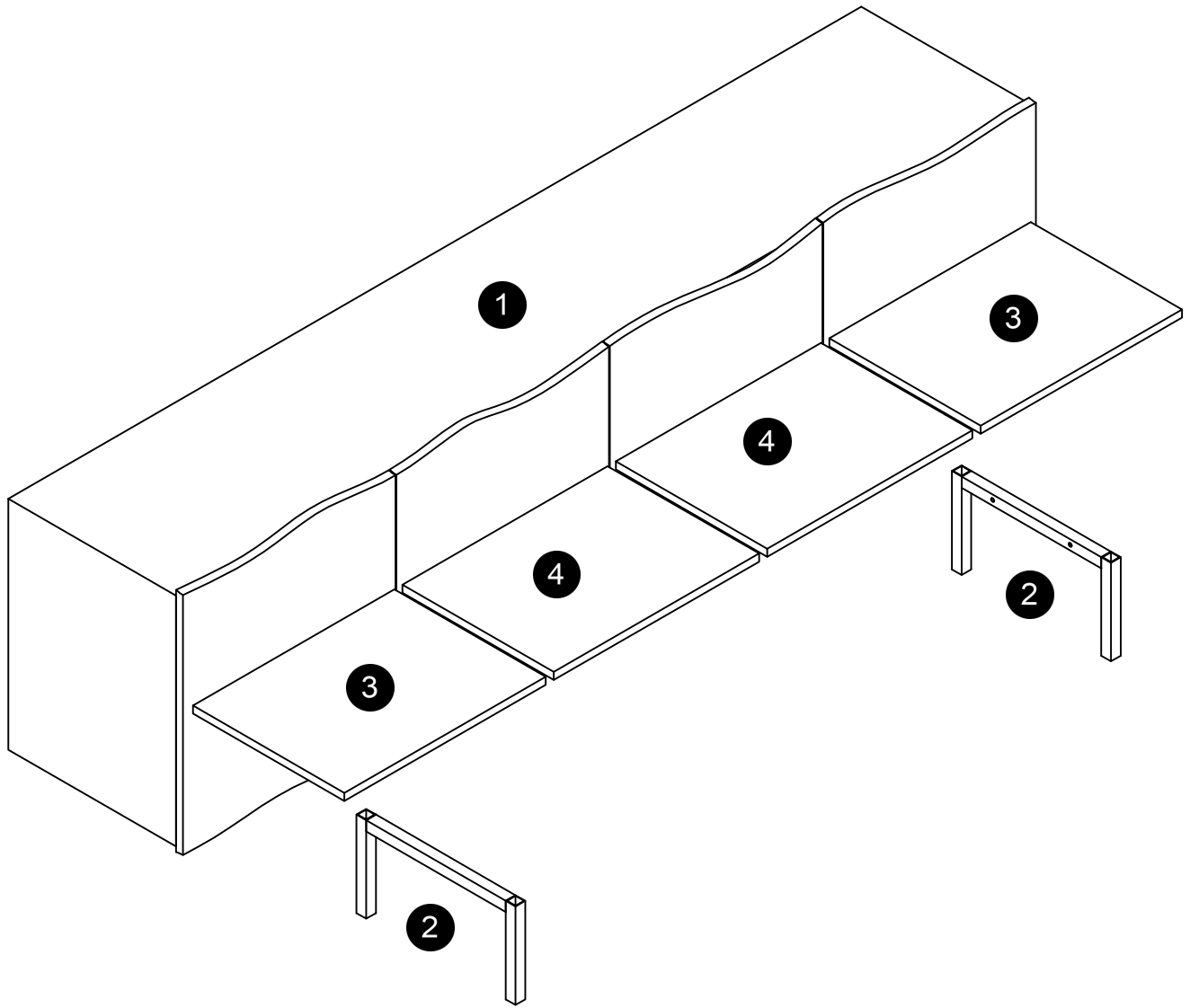






MAISONS
DU MONDE

MAGNUS

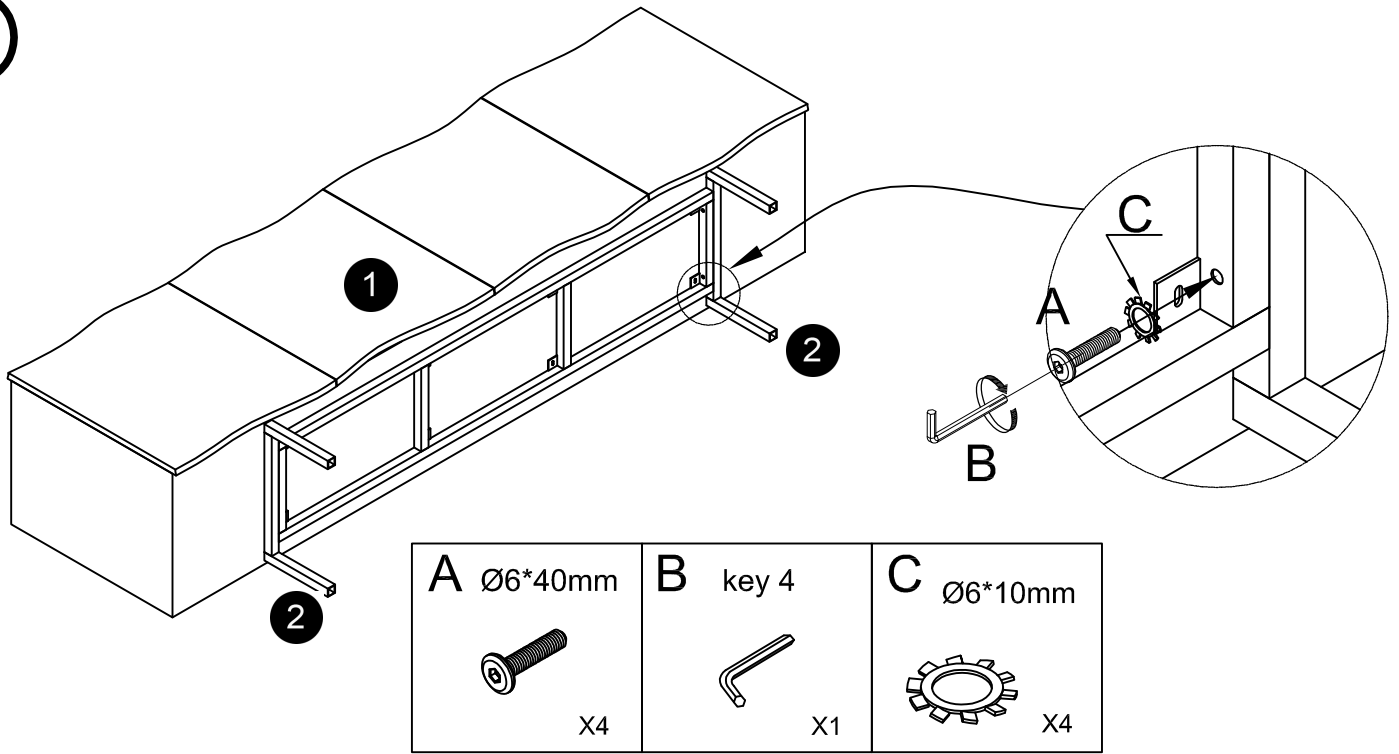
187068



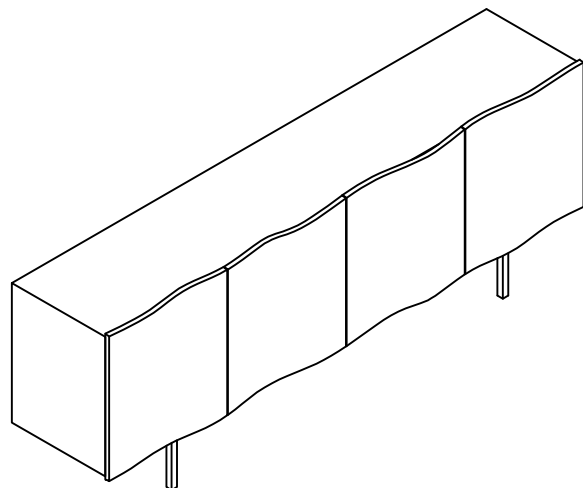
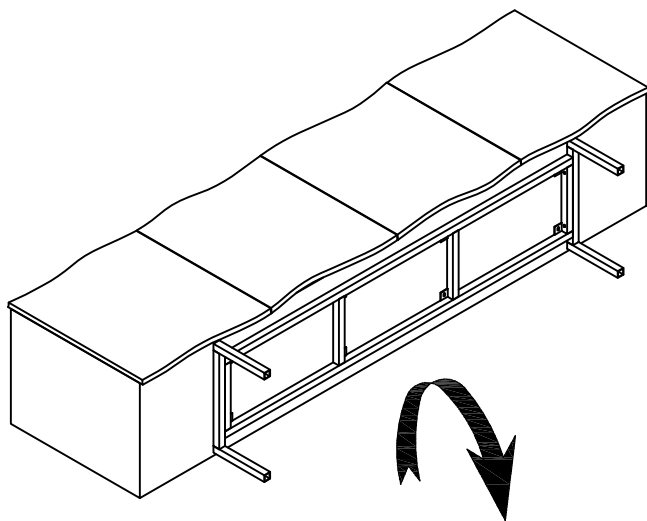
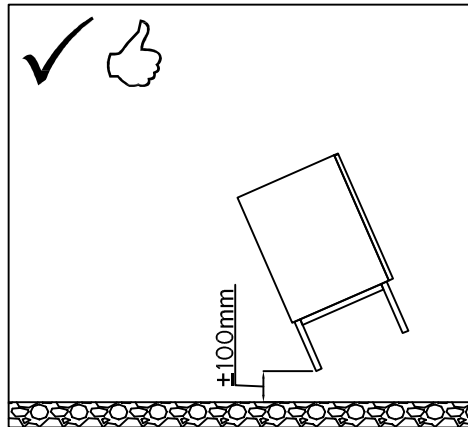
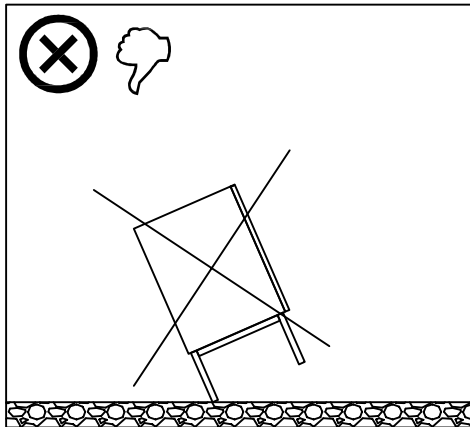


<p>A Ø6*40mm</p>  <p>X4</p>	<p>B key 4</p>  <p>X1</p>	<p>C Ø6*10mm</p>  <p>X4</p>	<p>D</p>  <p>X16</p>
---	---	---	--

①



②



③

