
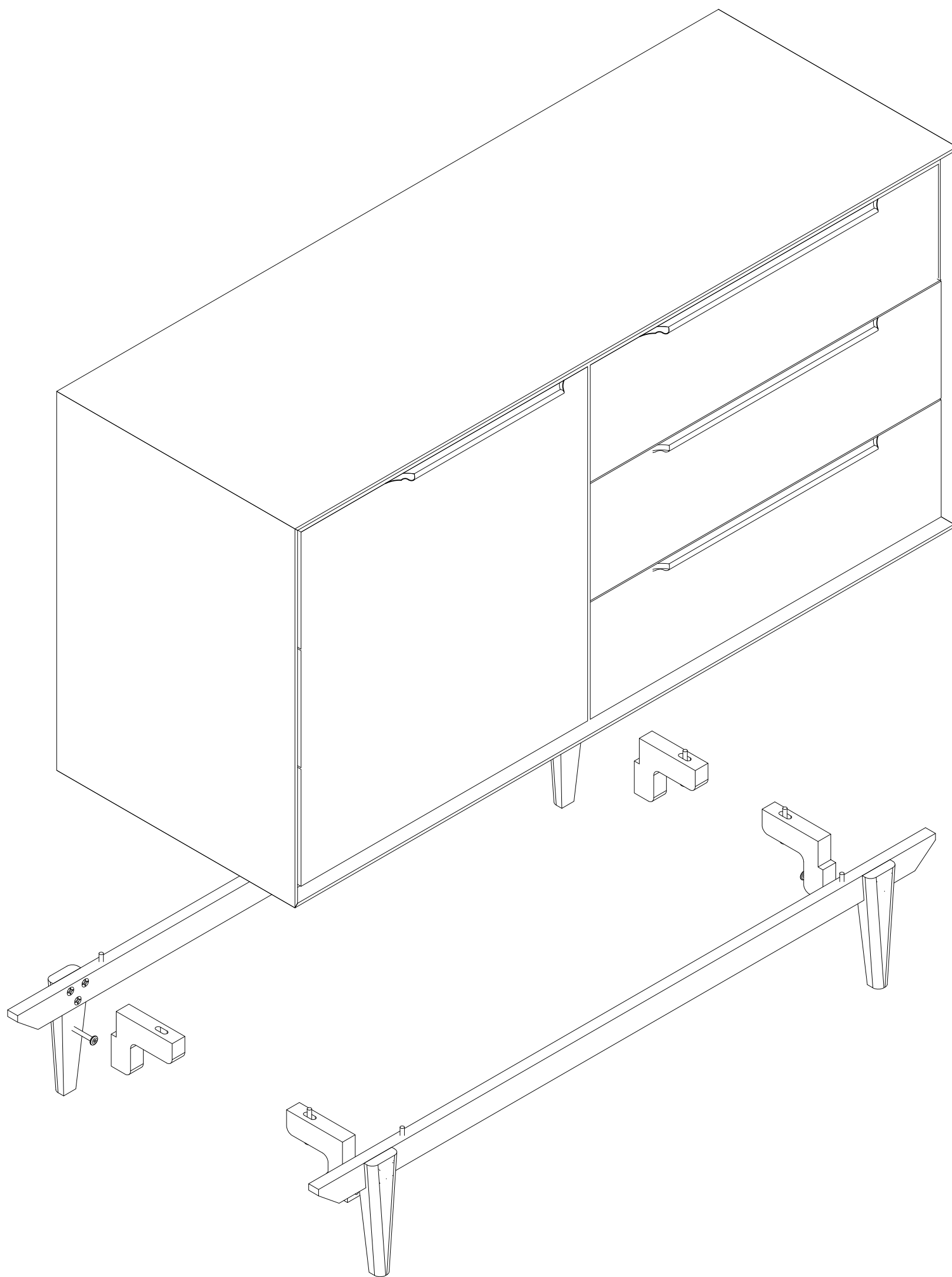
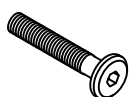

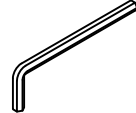
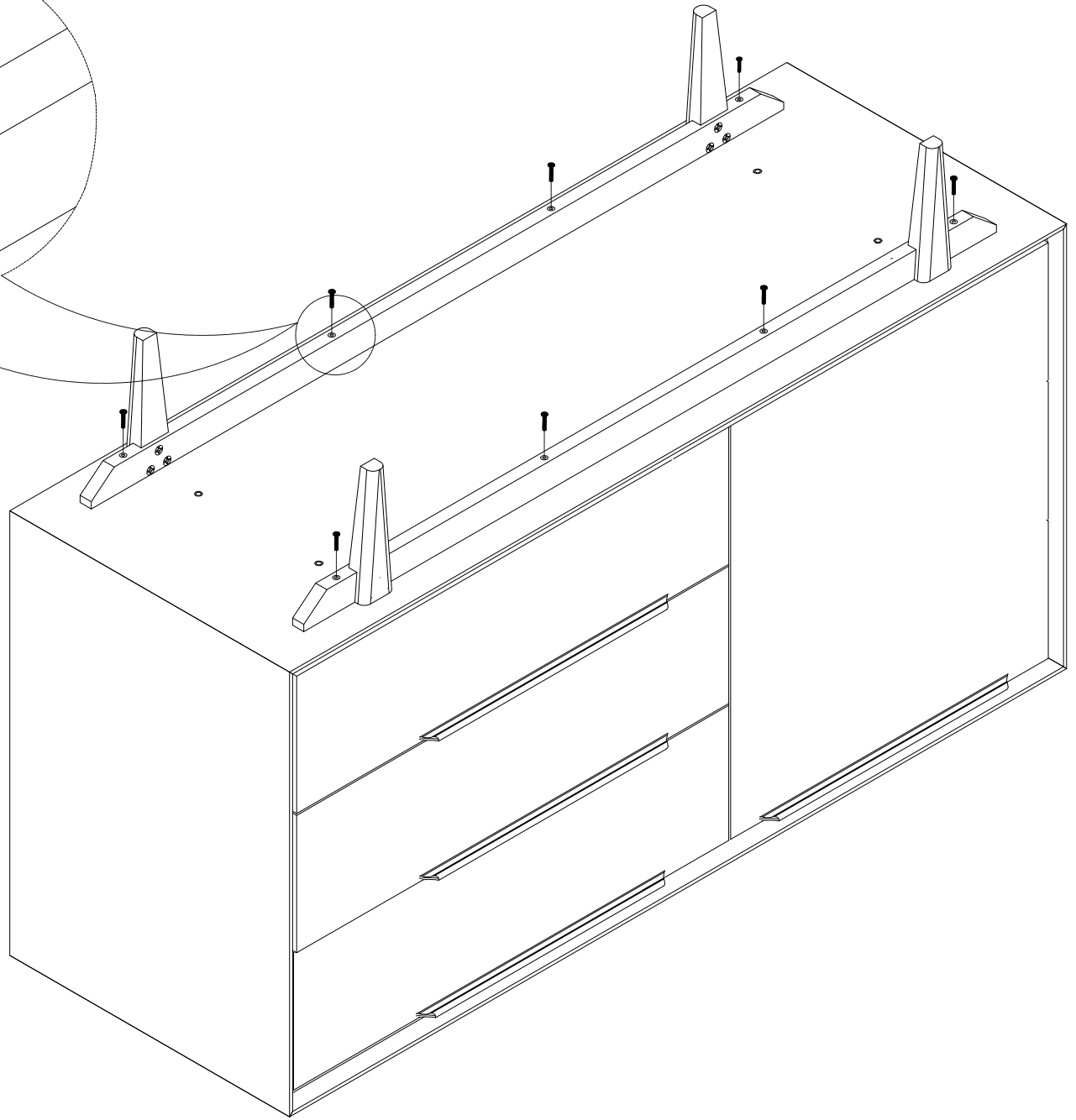
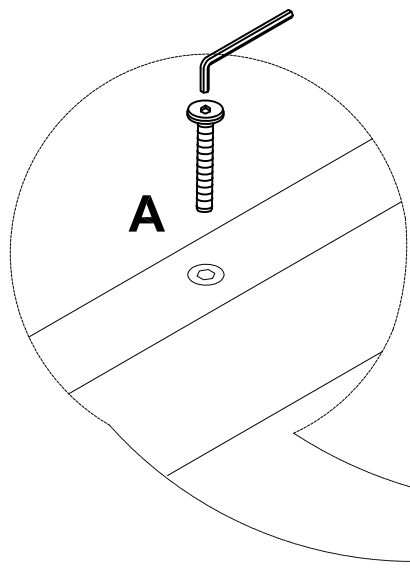
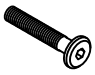
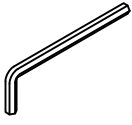
 15 MIN		
--	---	--



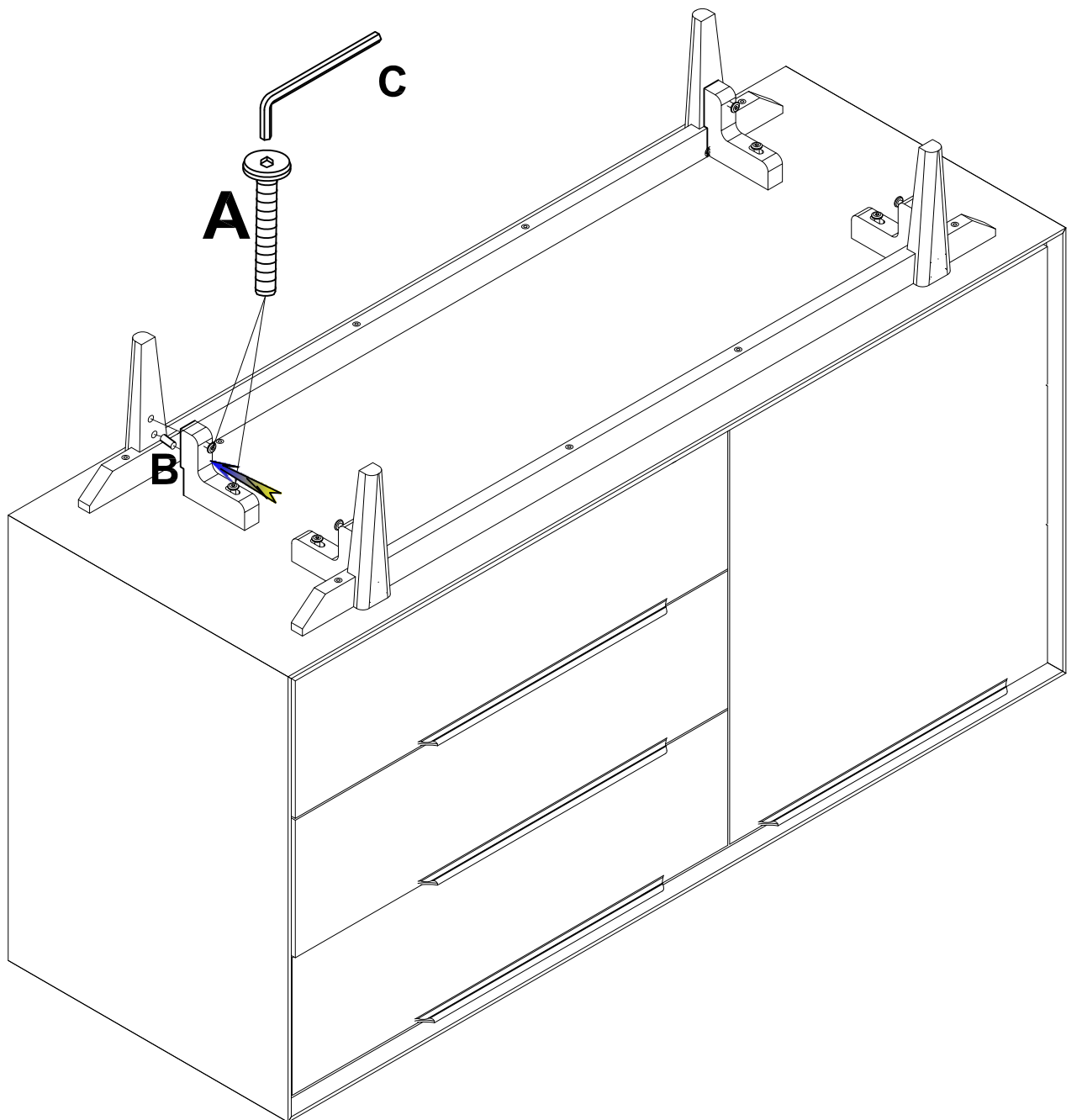
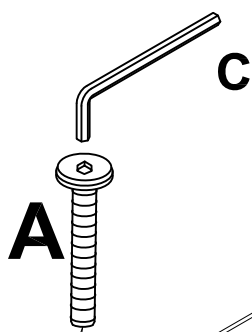
<p>A Ø 6 x45mm</p>  <p>X16</p>	<p>D Ø8 *30</p>  <p>X4</p>	<p>C Key 4mm</p>  <p>X1</p>
--	---	---

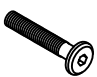

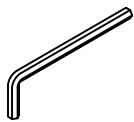
1



<p>A Ø 6 x45mm</p>  <p>X8</p>	<p>C Key 4mm</p>  <p>X1</p>
---	---

2



<p>A Ø 6 x45mm</p>  <p>X8</p>	<p>B Ø8 *30</p>  <p>X4</p>	<p>C Key 4mm</p>  <p>X1</p>
---	--	---

③

