
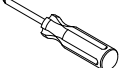
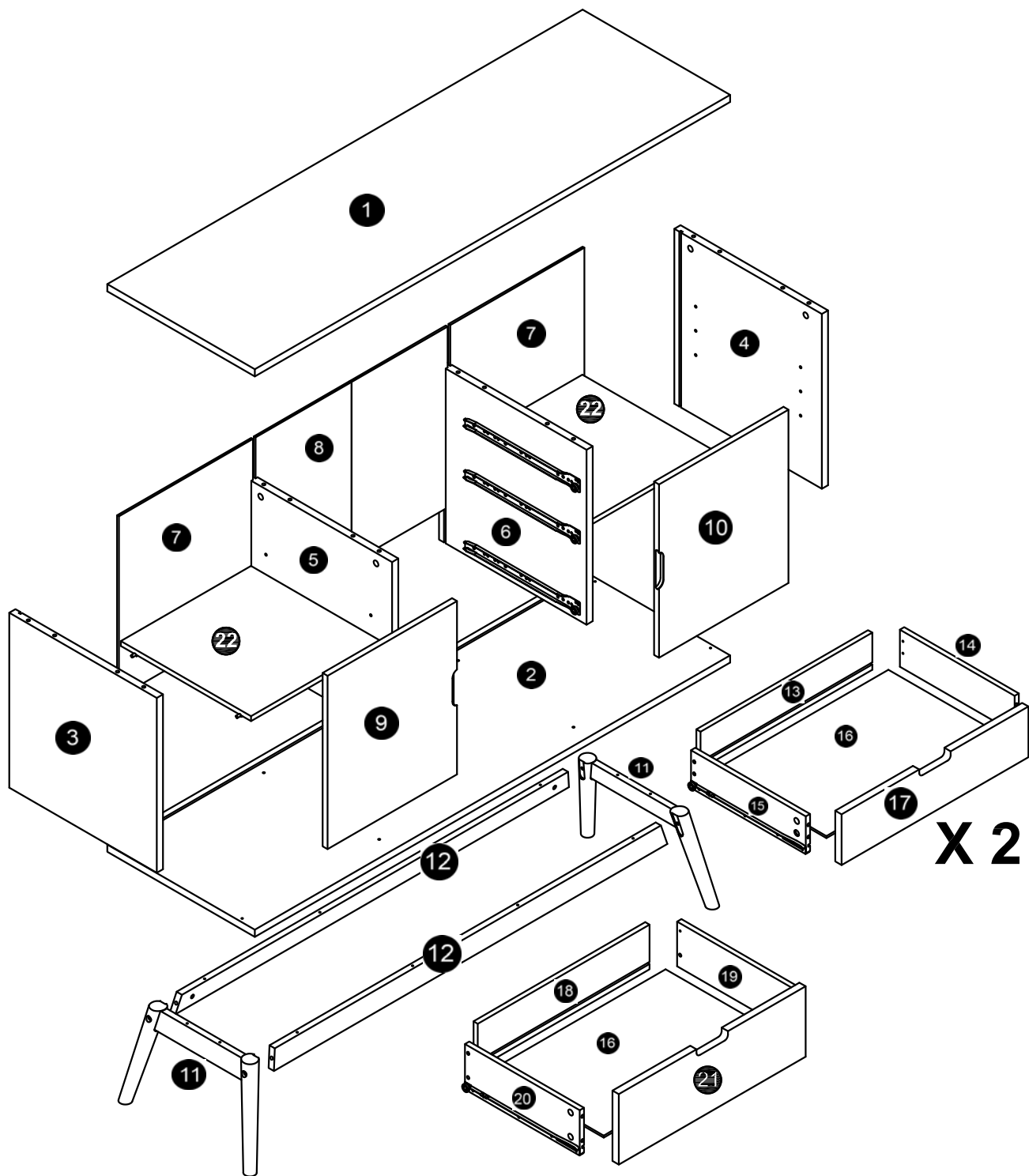


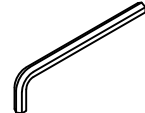




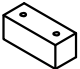
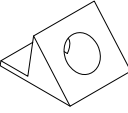
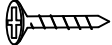
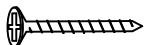
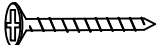
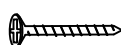
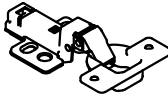
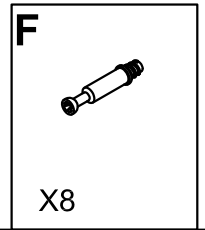
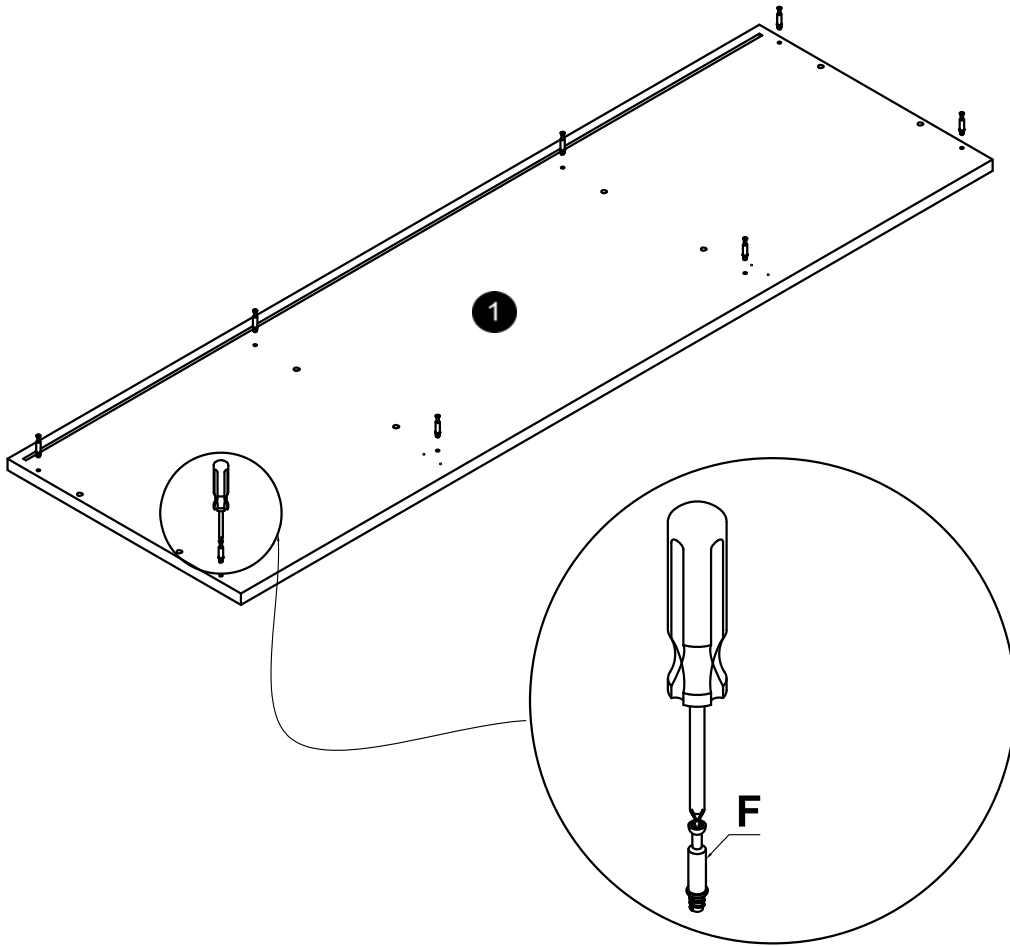
 40MIN		
---	---	---

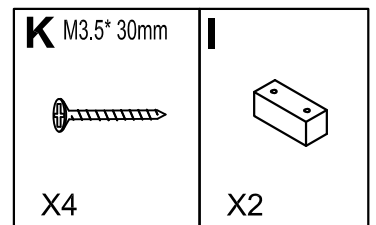
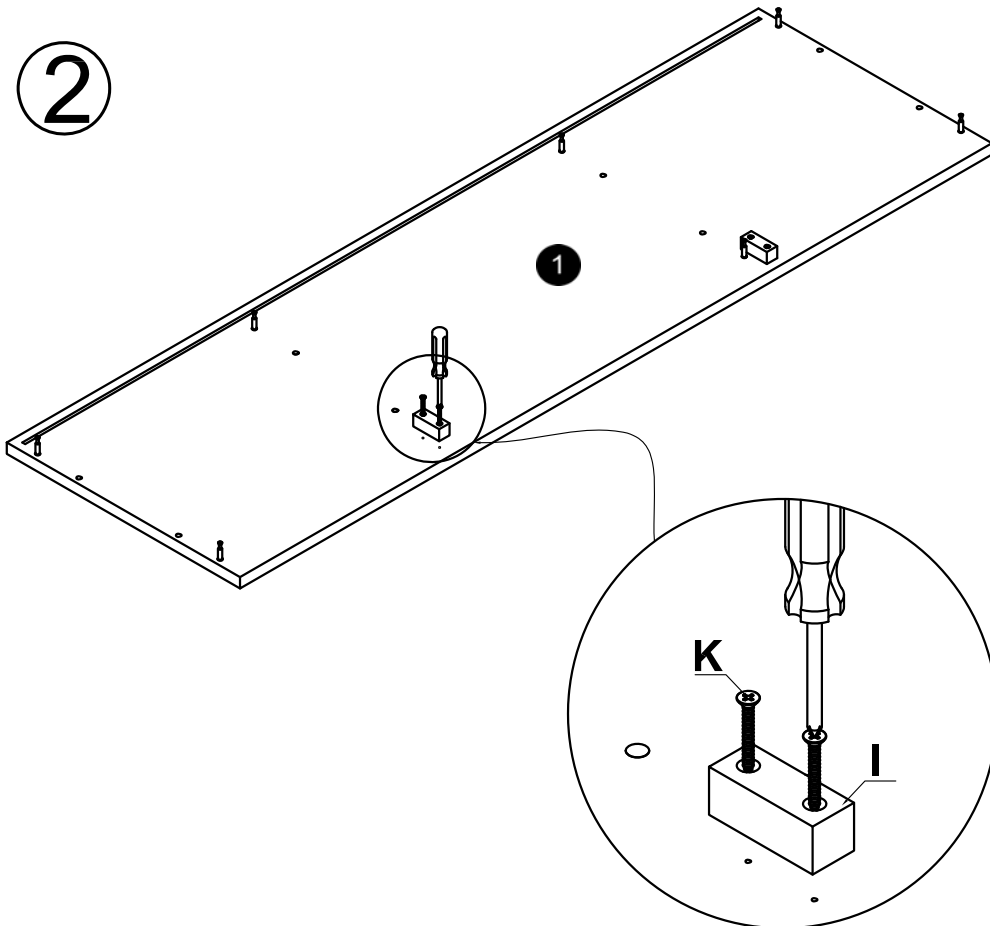


<b>A</b> $\varnothing 6 \times 80 \text{mm}$  X4	<b>B</b> $\varnothing 6 \times 13 \text{mm}$  X4	<b>C</b> M 4  X1	<b>D</b> $\varnothing 8 \times 25$  X16	<b>E</b>  X20	<b>F</b>  X20	<b>G</b>  X8	<b>H</b>  X2
<b>I</b>  X12	<b>J</b> M3.5 * 15mm  X36	<b>K</b> M3.5 * 30mm  X16	<b>L</b> M4 * 45mm  X12	<b>M</b> M3.5 * 25mm  X12	<b>N</b>  X4		

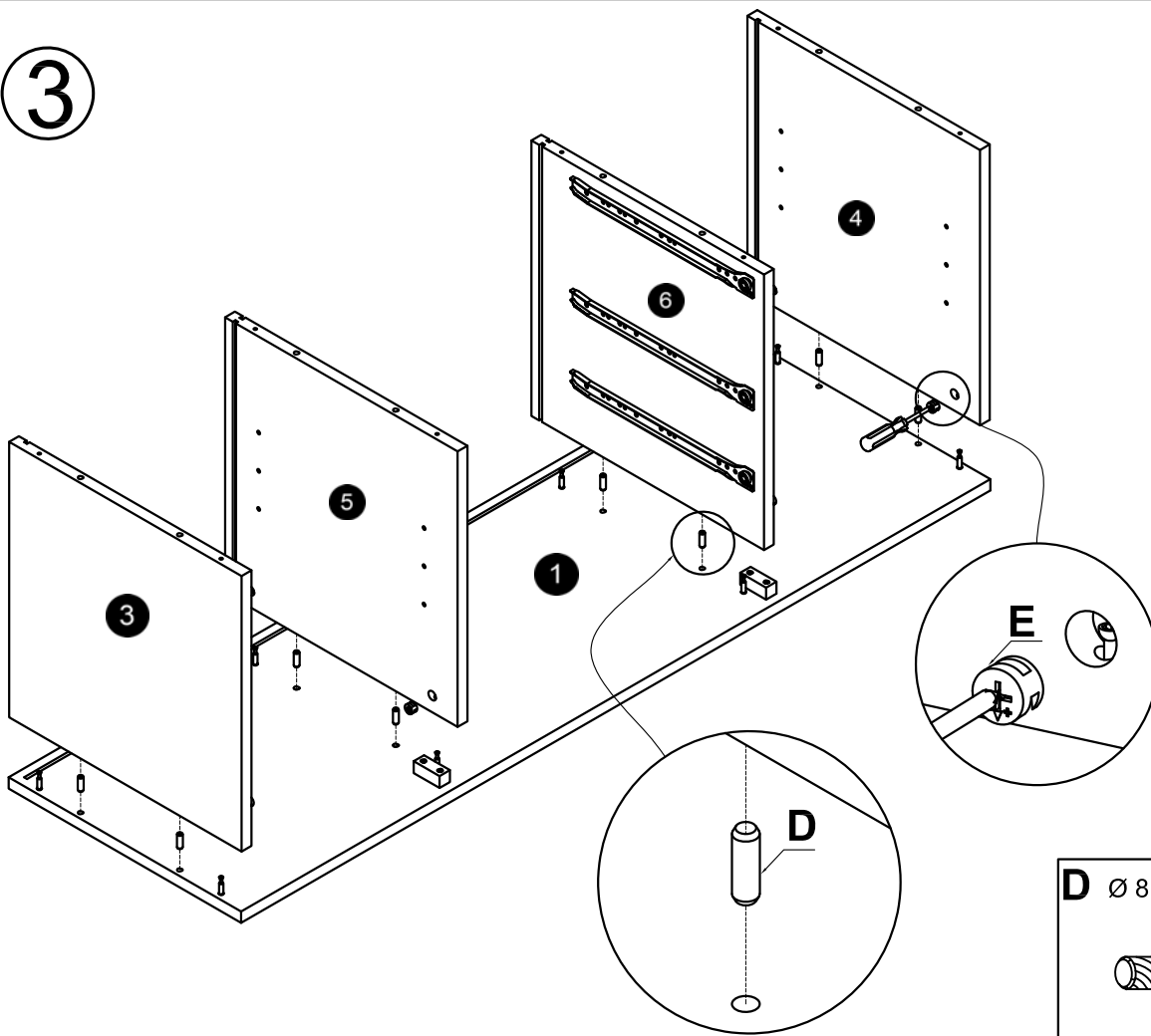
1



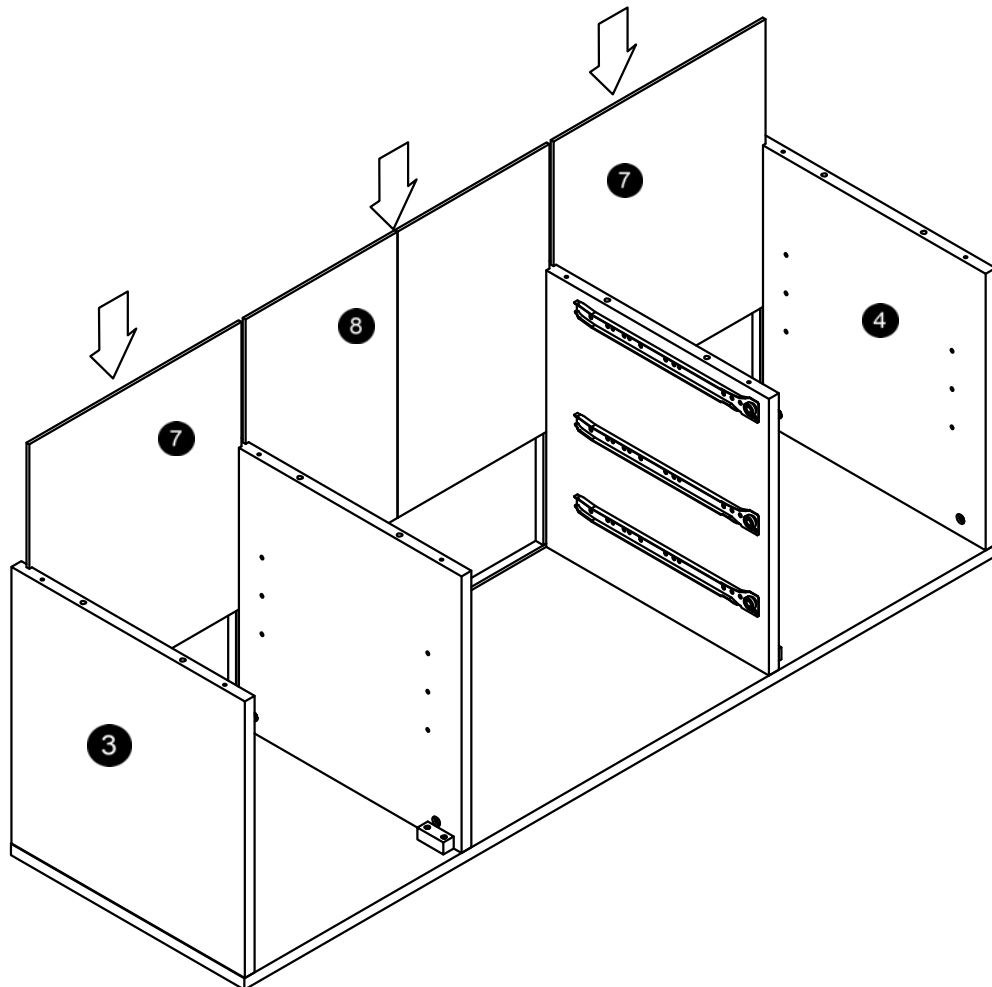
2



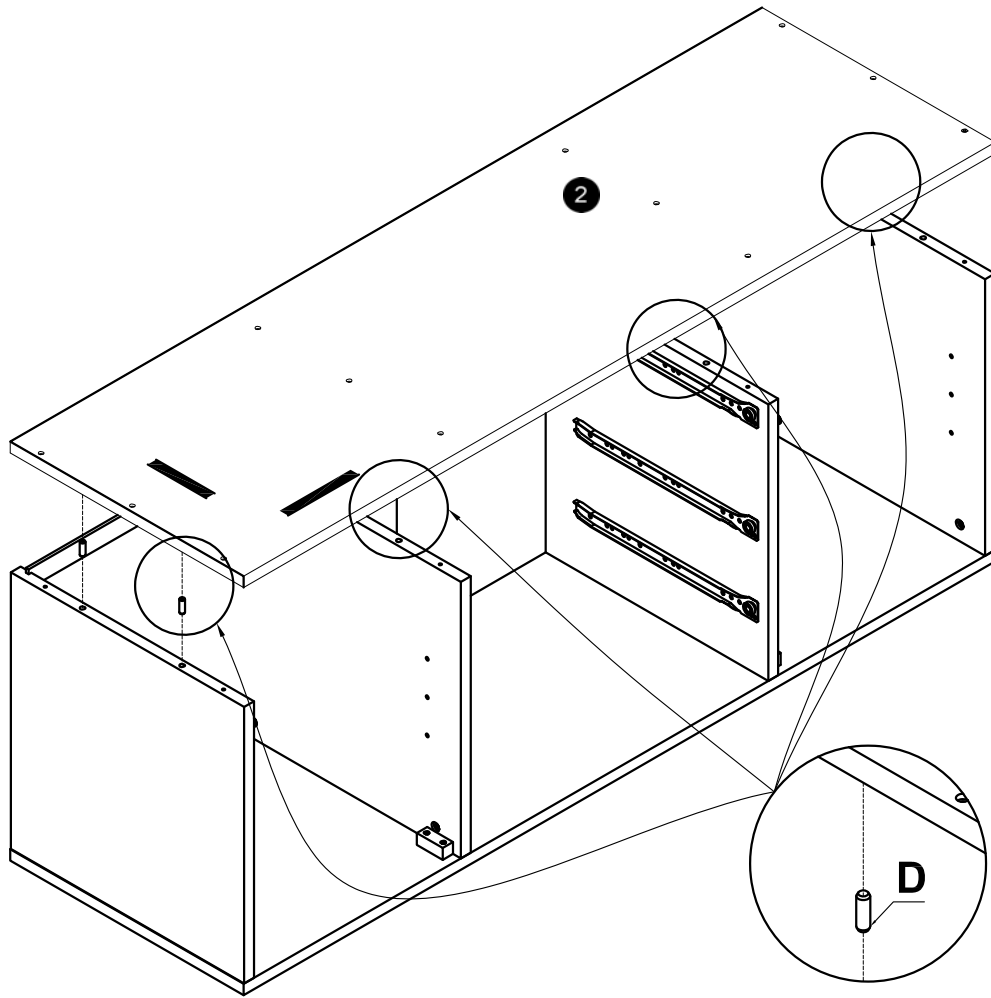
3




4



5

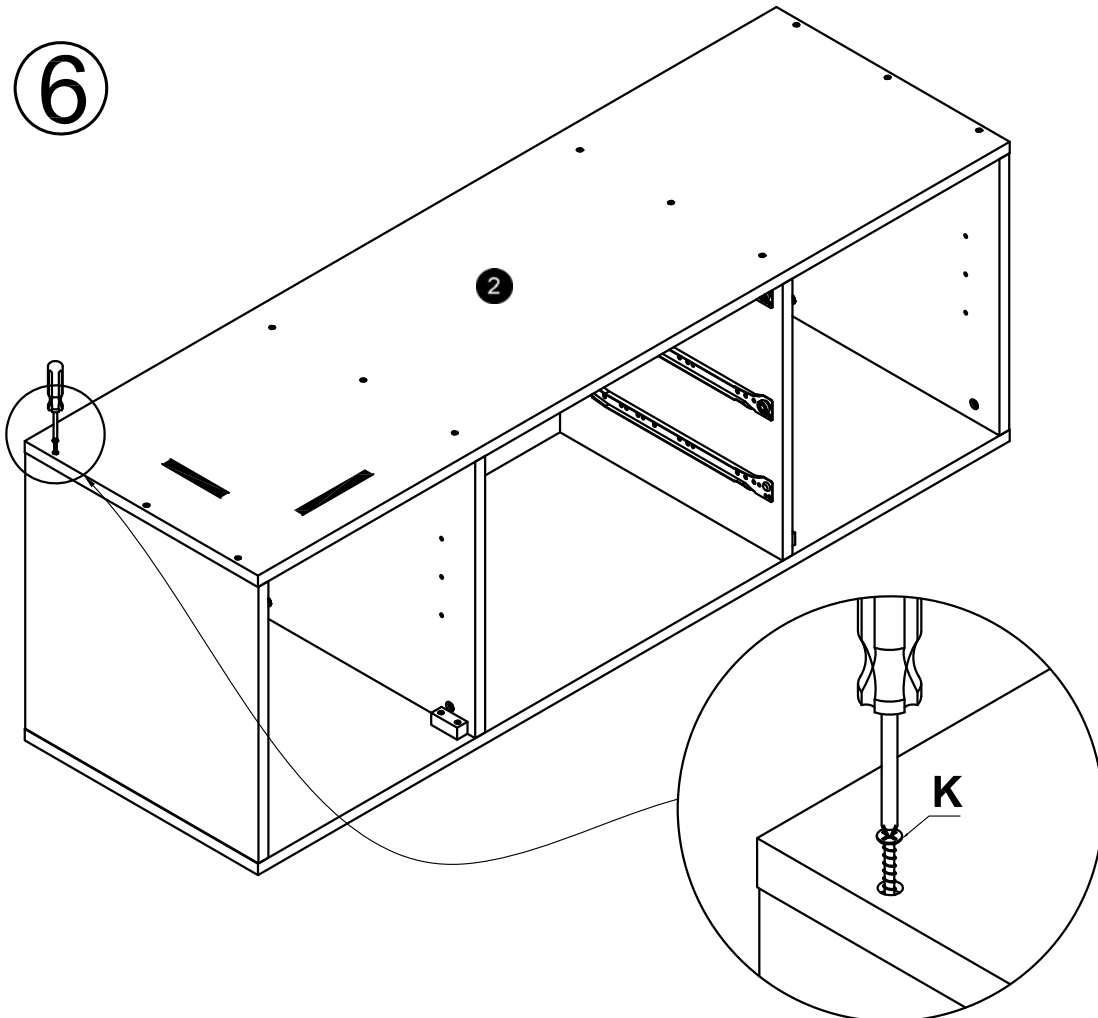


**D** Ø 8 x 25




X8

6

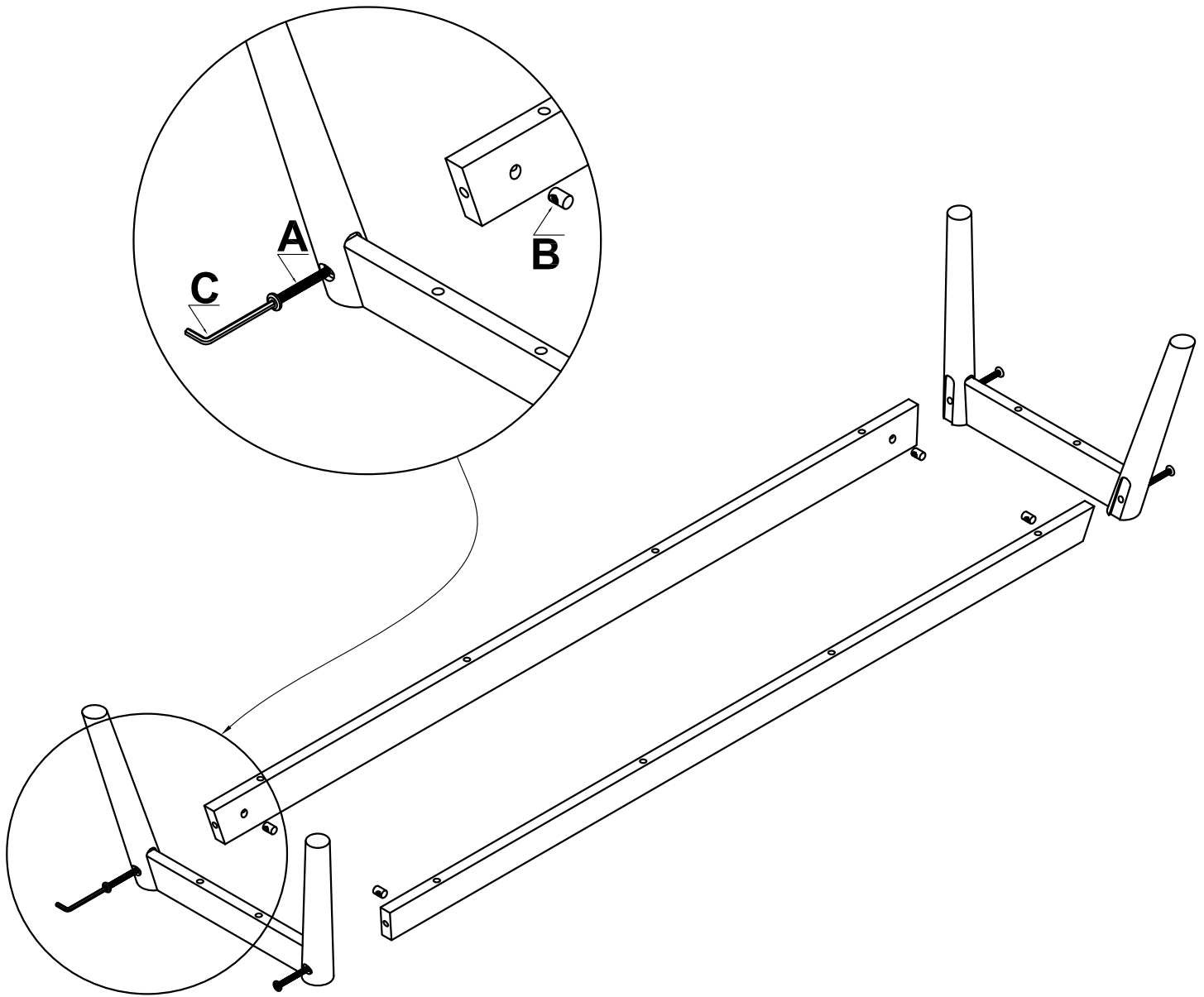





**K** M3.5 \*30mm



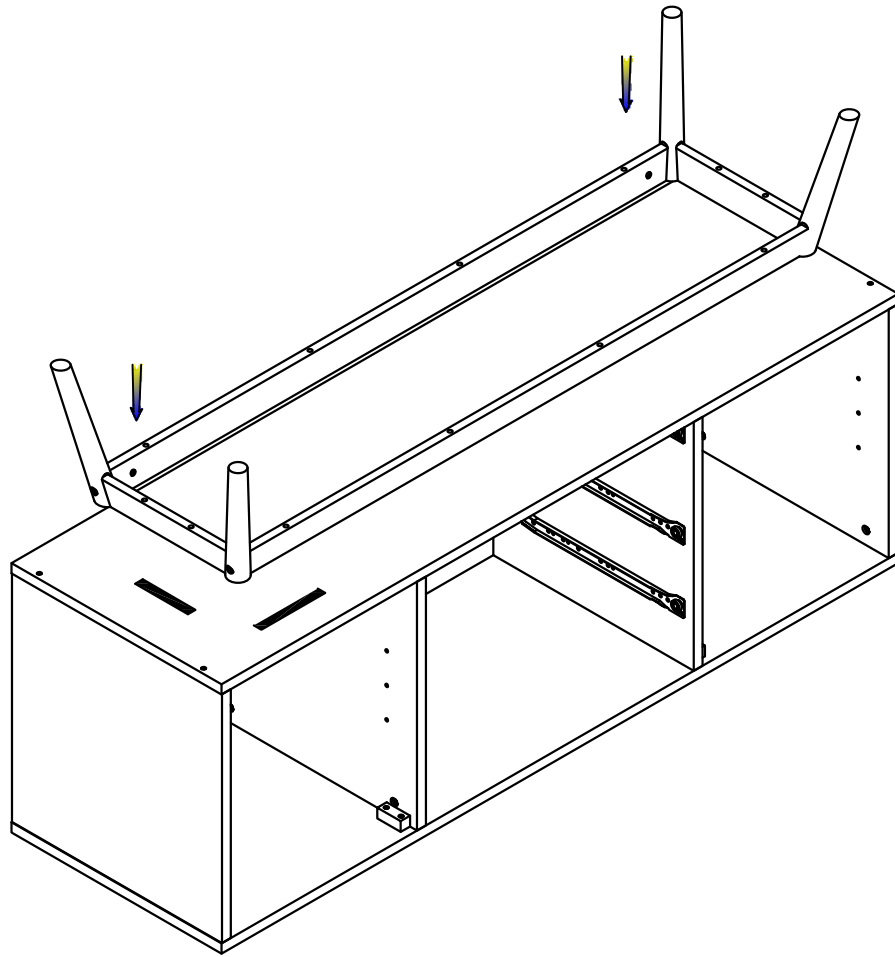
X12

7

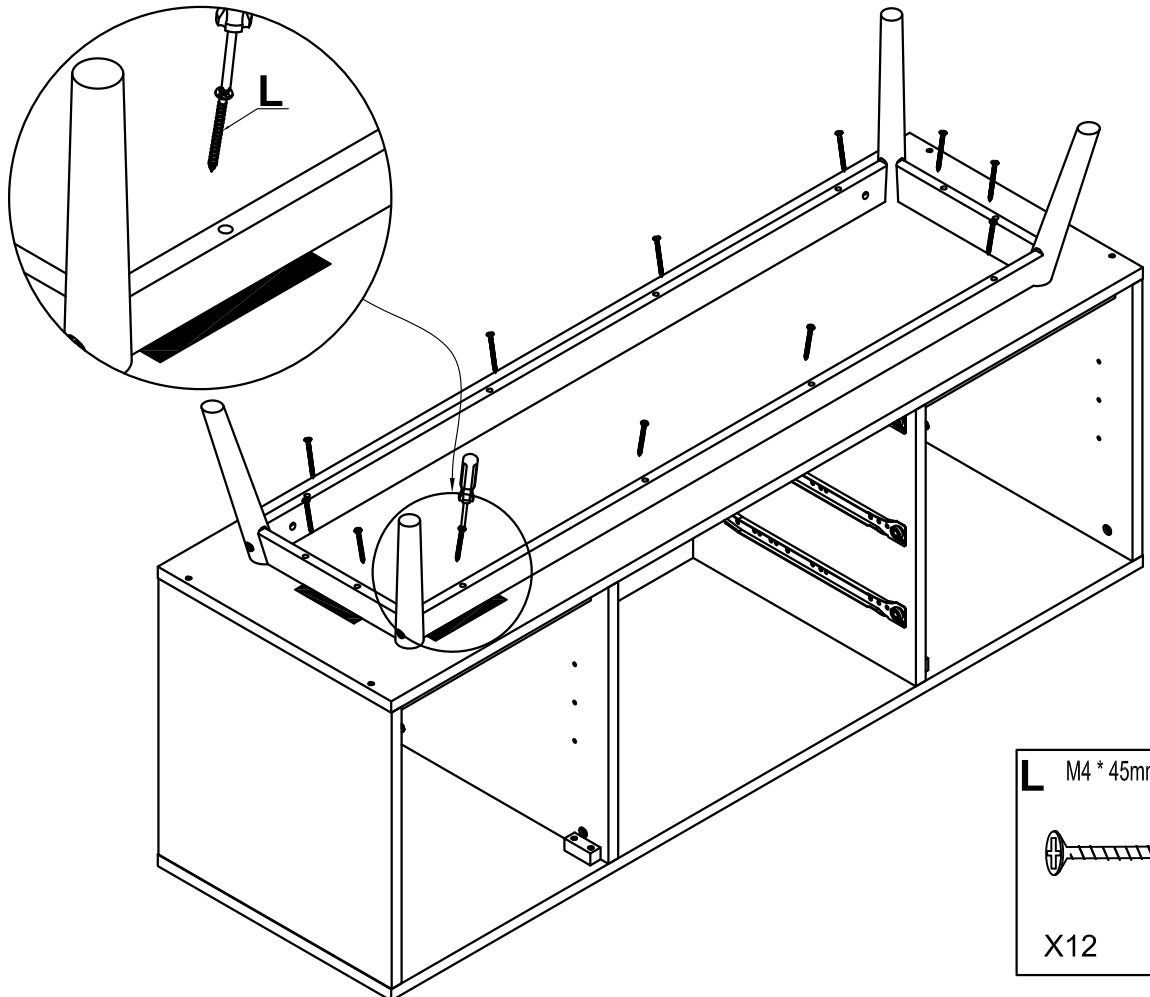


<b>A</b> Ø6*80mm	<b>B</b> Ø6*13mm	<b>C</b> M 4
		
X4	X4	X1

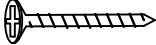
8



9

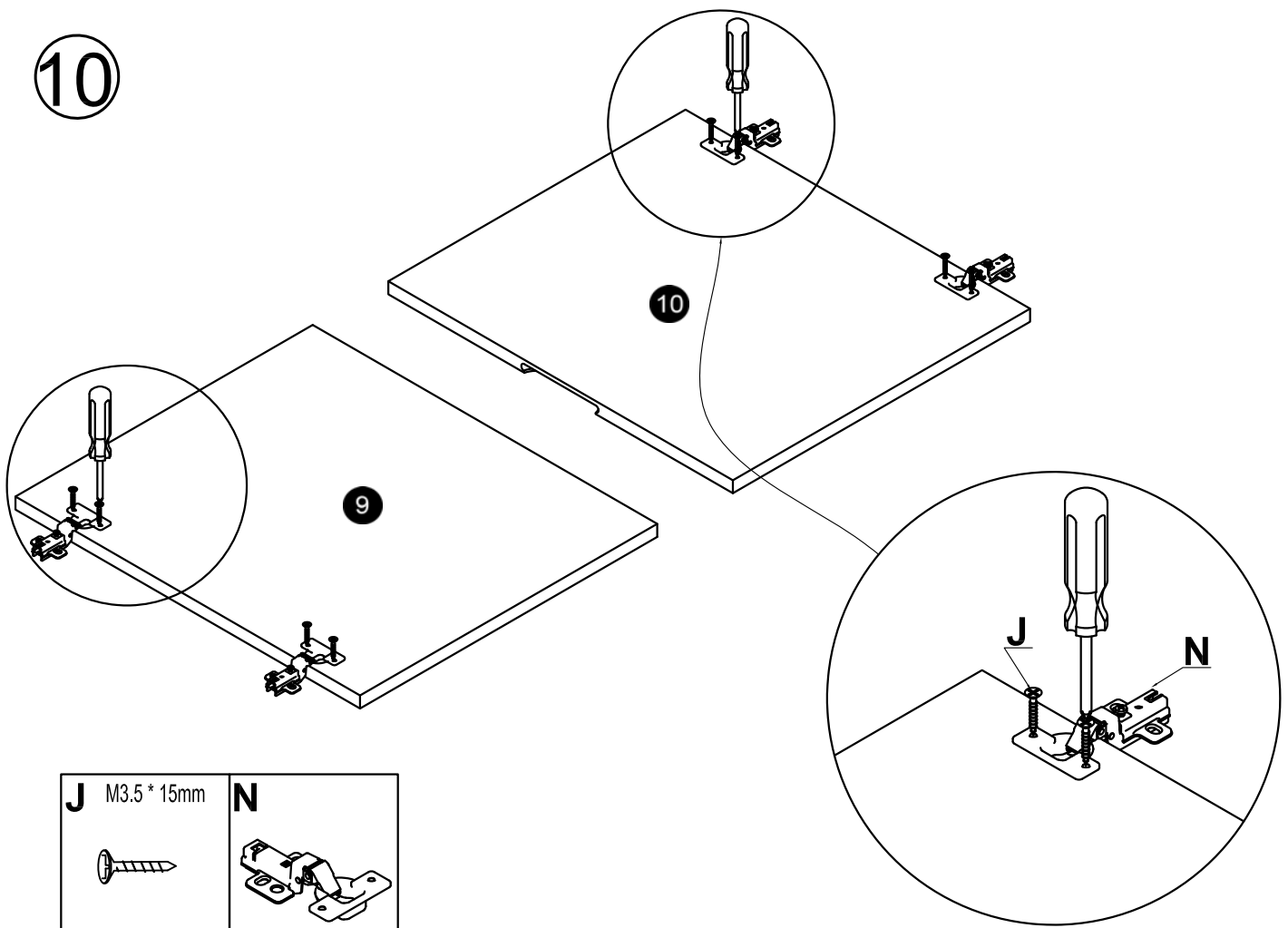


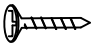
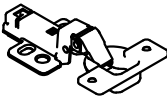
L M4 \* 45mm



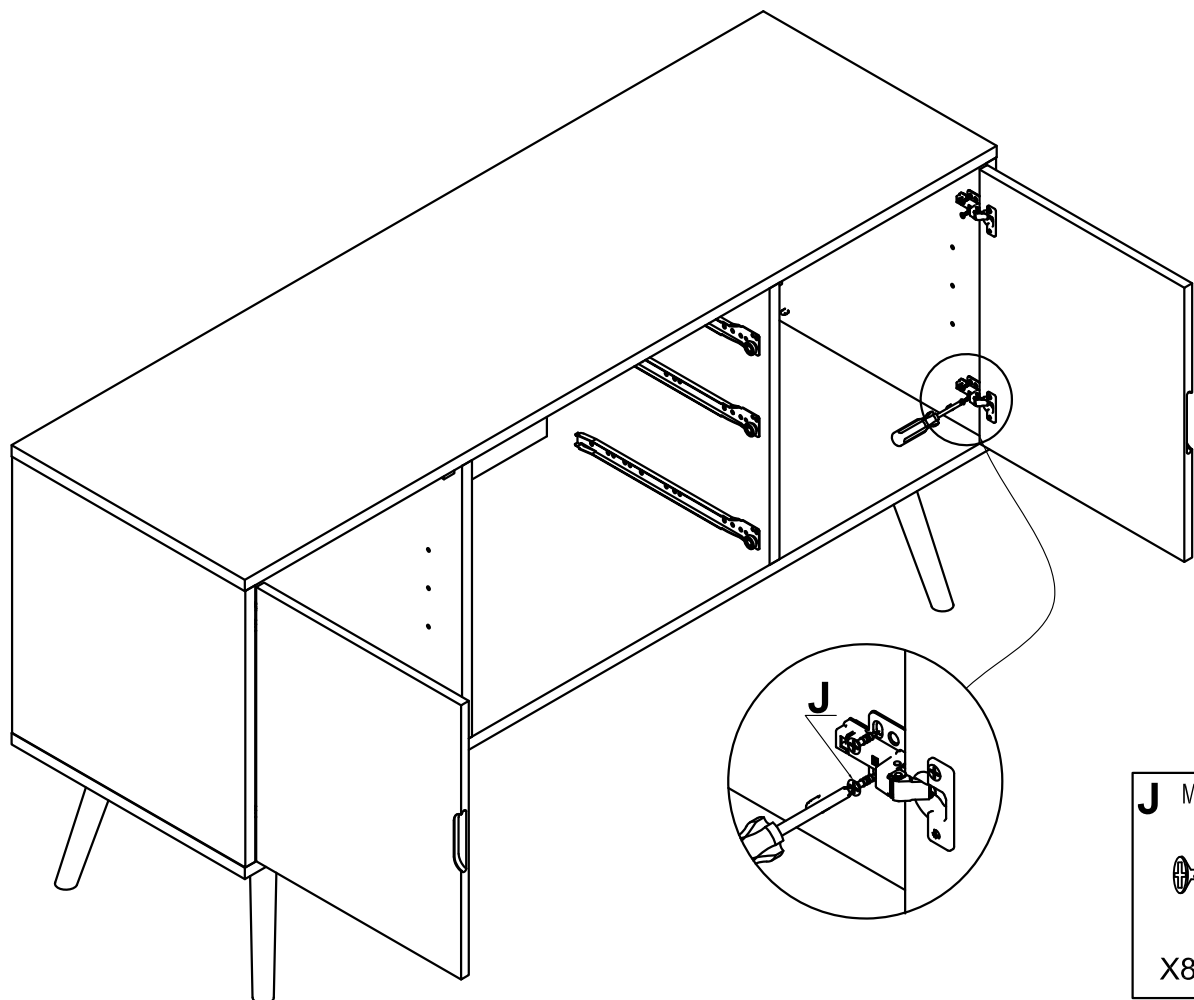
X12

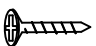
10



<b>J</b> M3.5 * 15mm	<b>N</b>
	
X8	X4

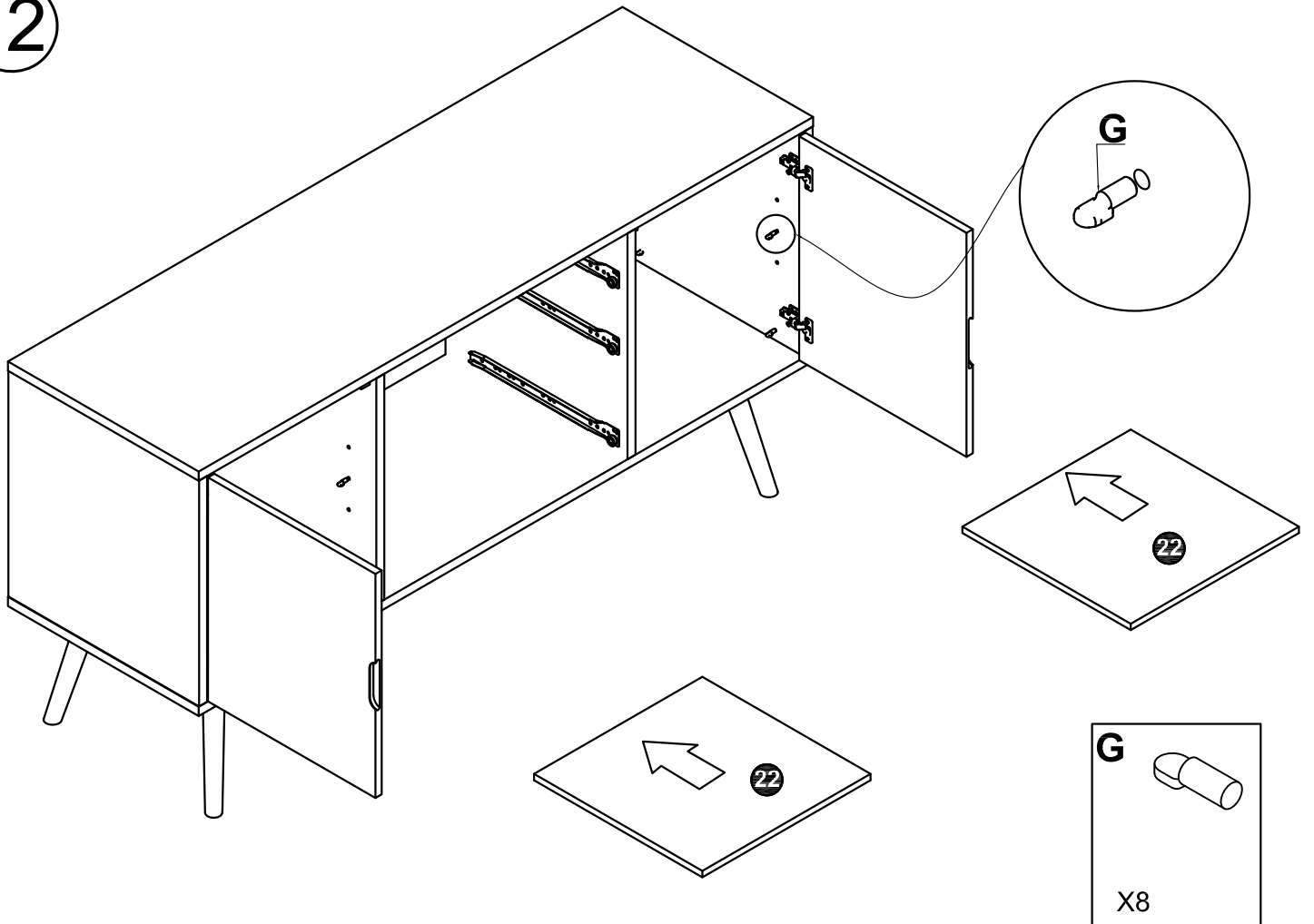
11



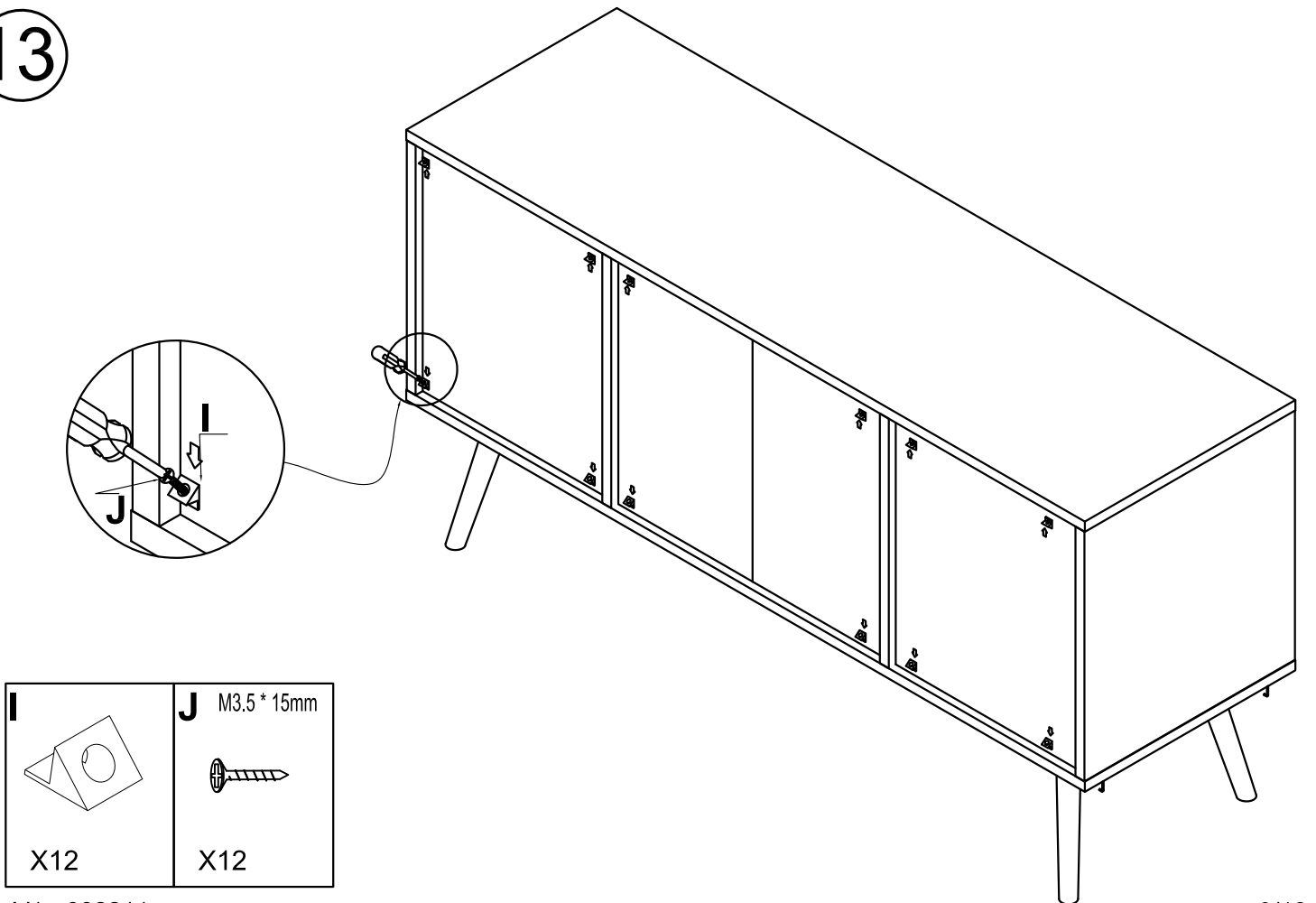
<b>J</b> M3.5 * 15mm

X8



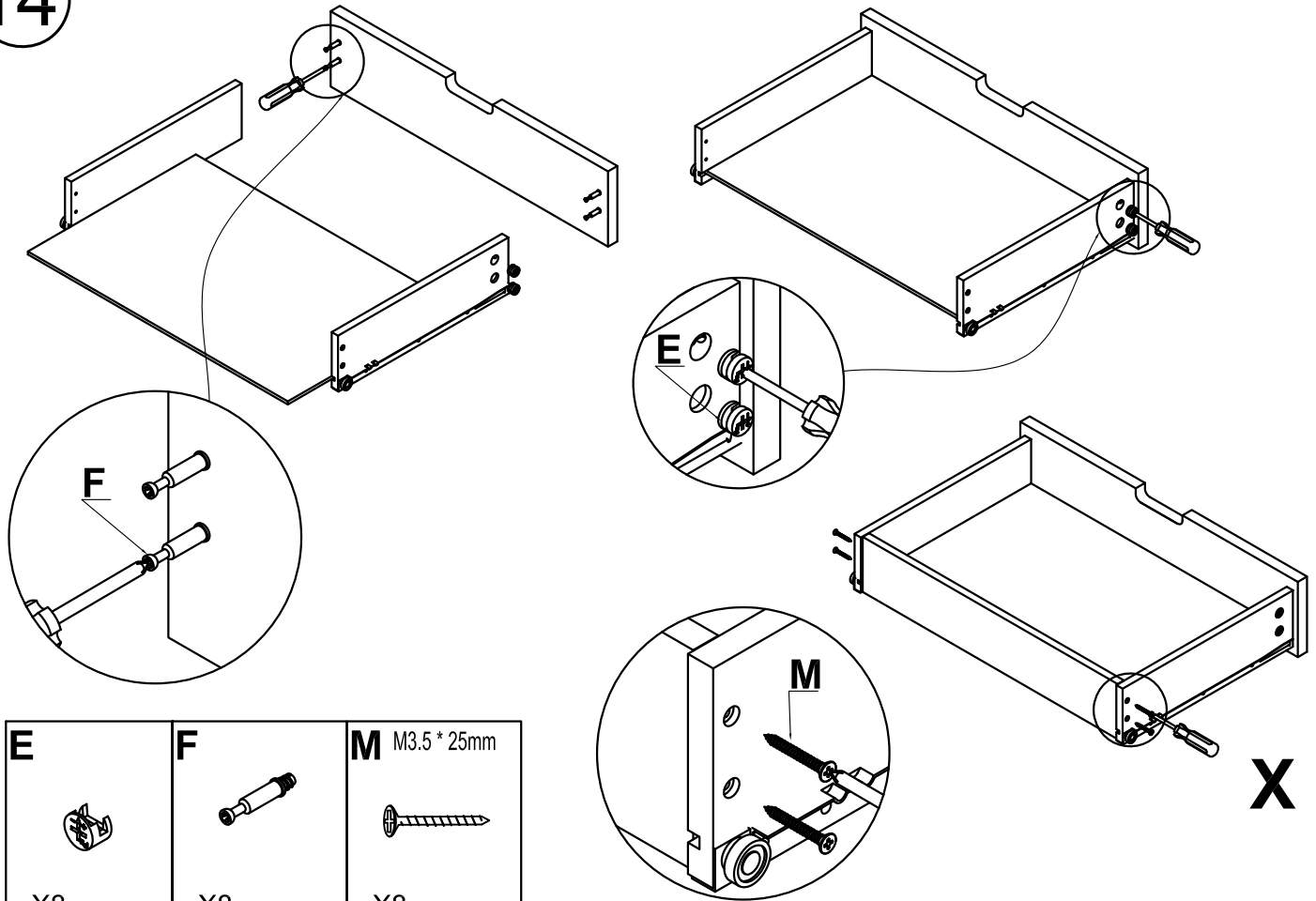
12



13



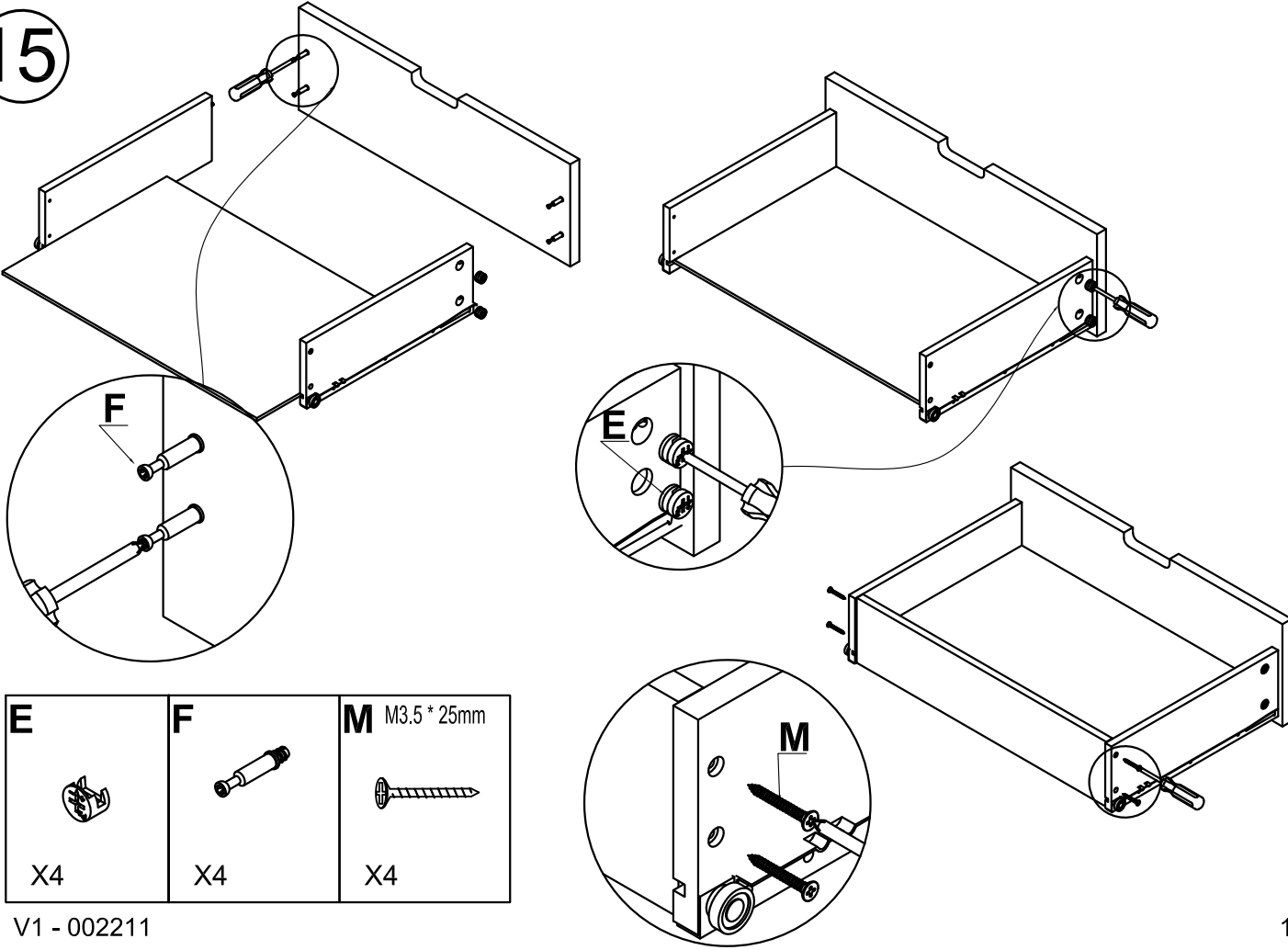
14



<b>E</b>	<b>F</b>	<b>M</b> M3.5 * 25mm
X8	X8	X8

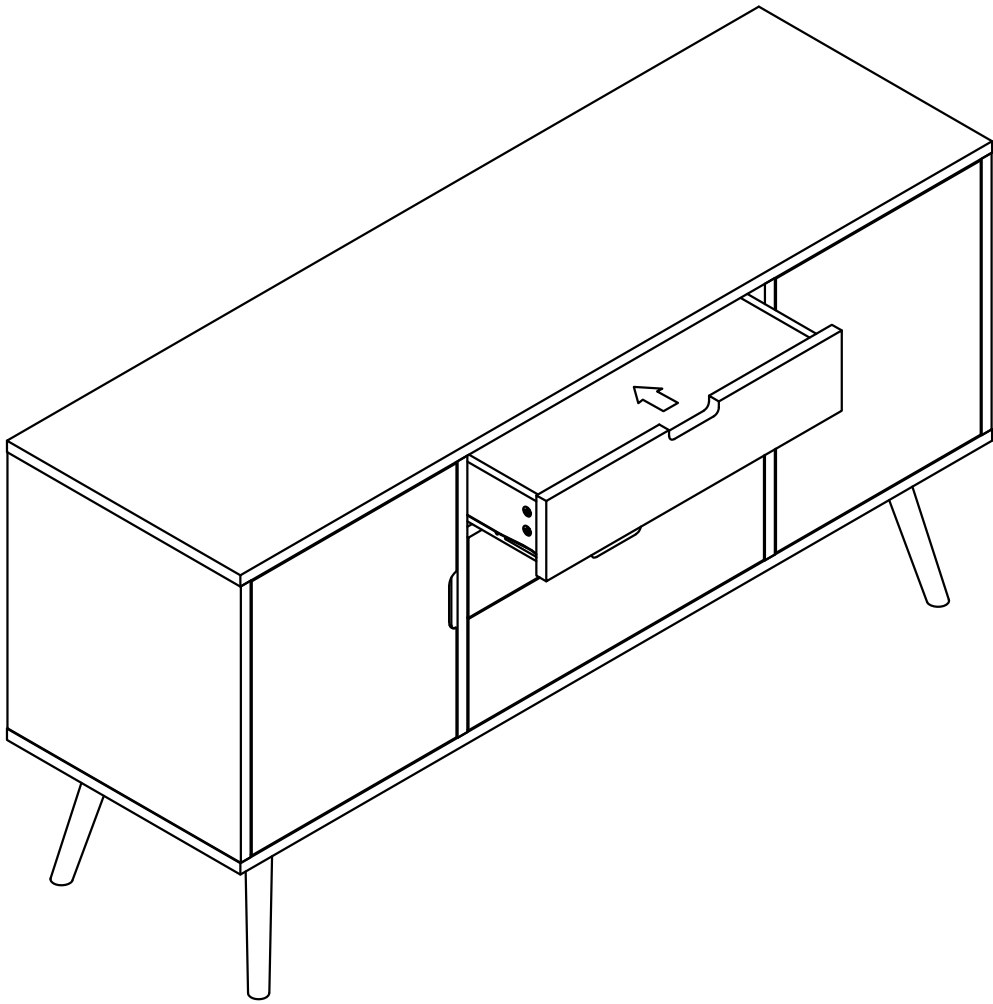
X 2

15

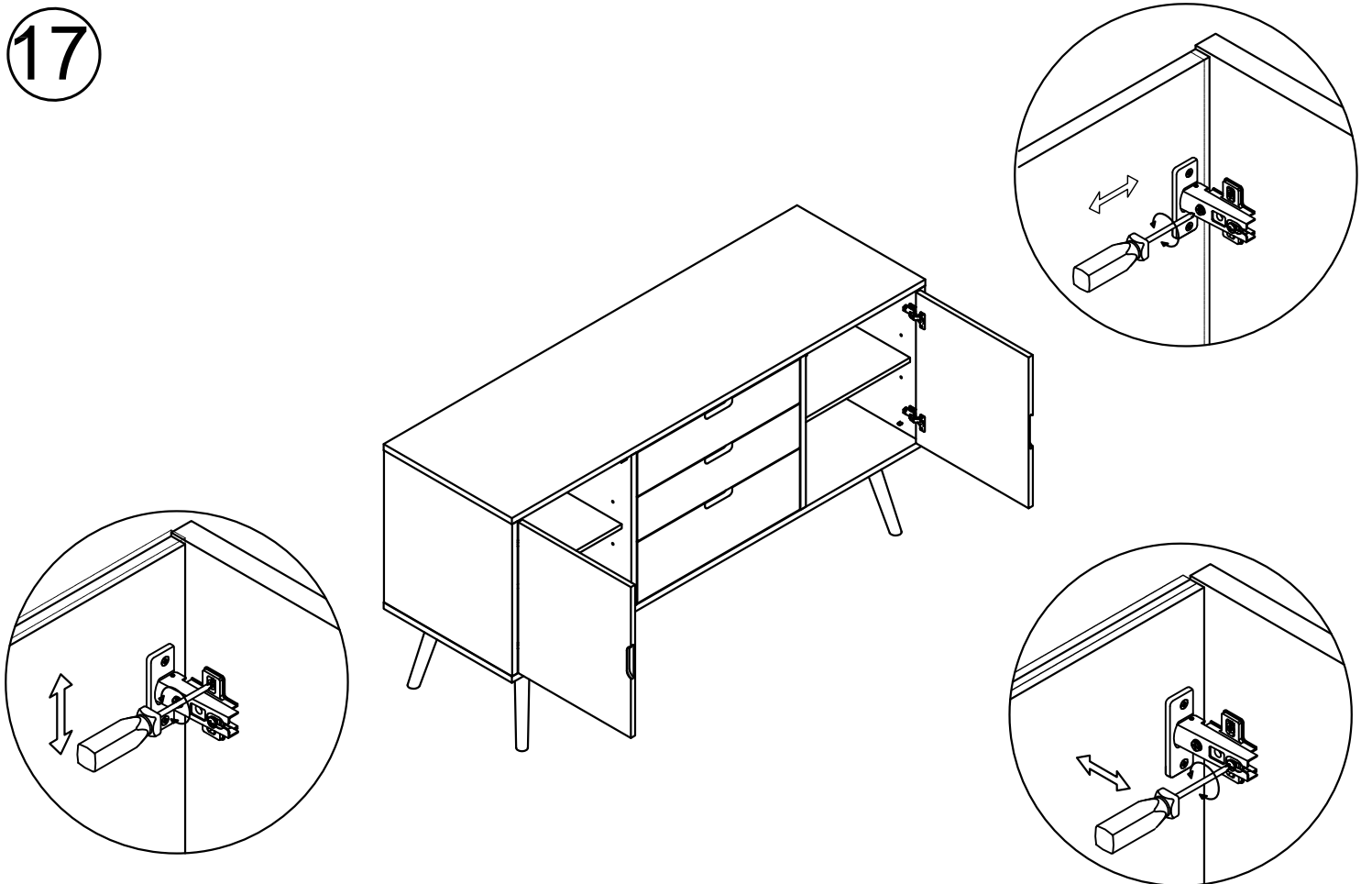


<b>E</b>	<b>F</b>	<b>M</b> M3.5 * 25mm
X4	X4	X4

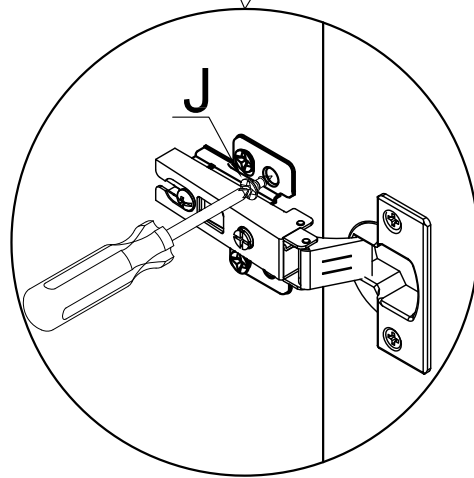
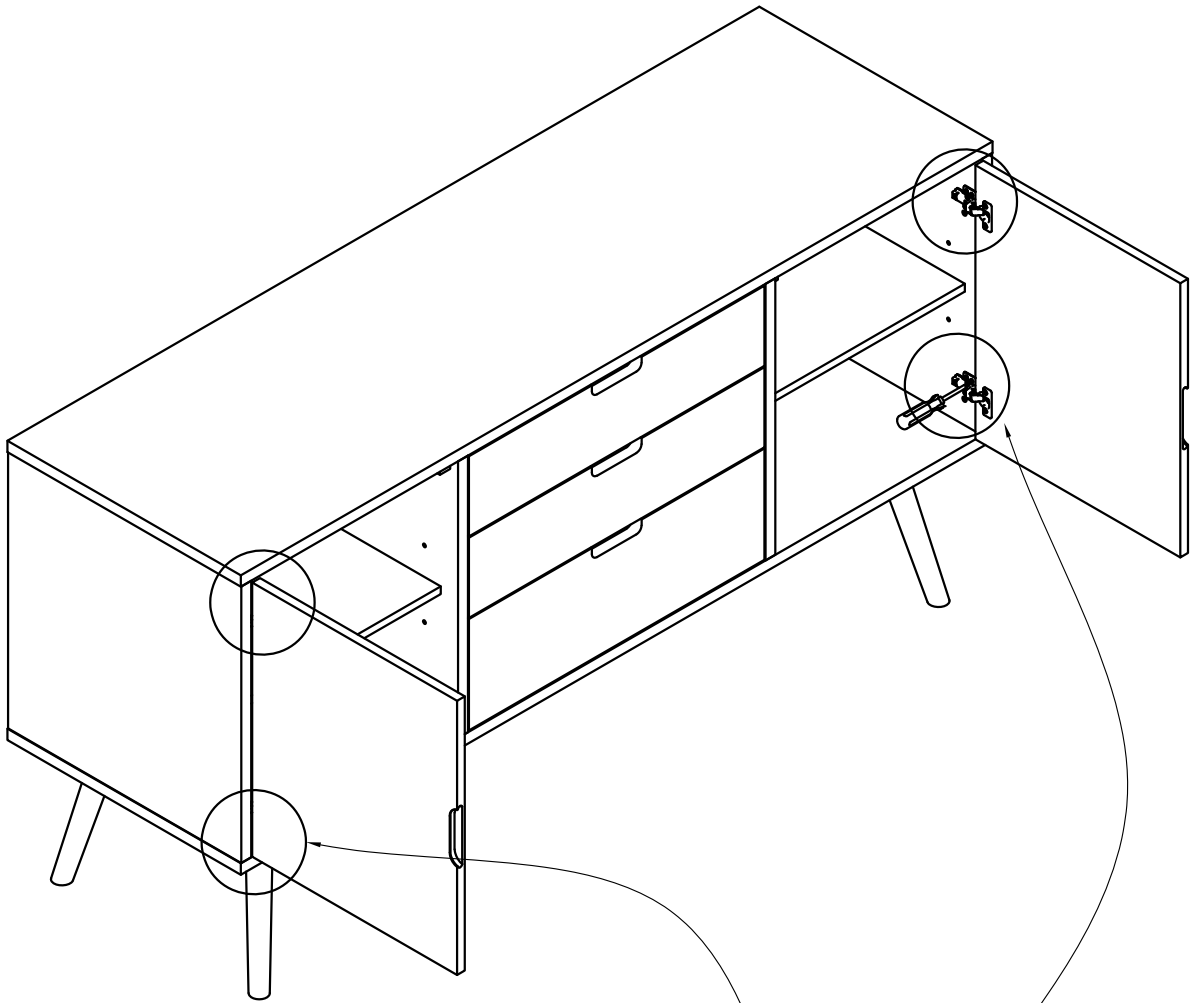
16



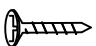
17



18



**J** M3 \* 15mm



X8