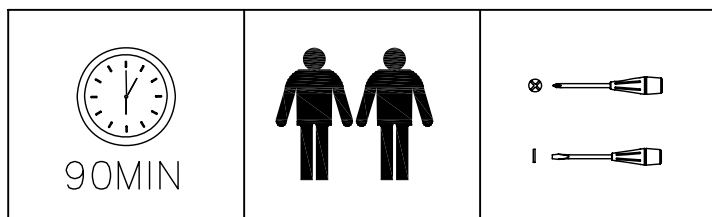
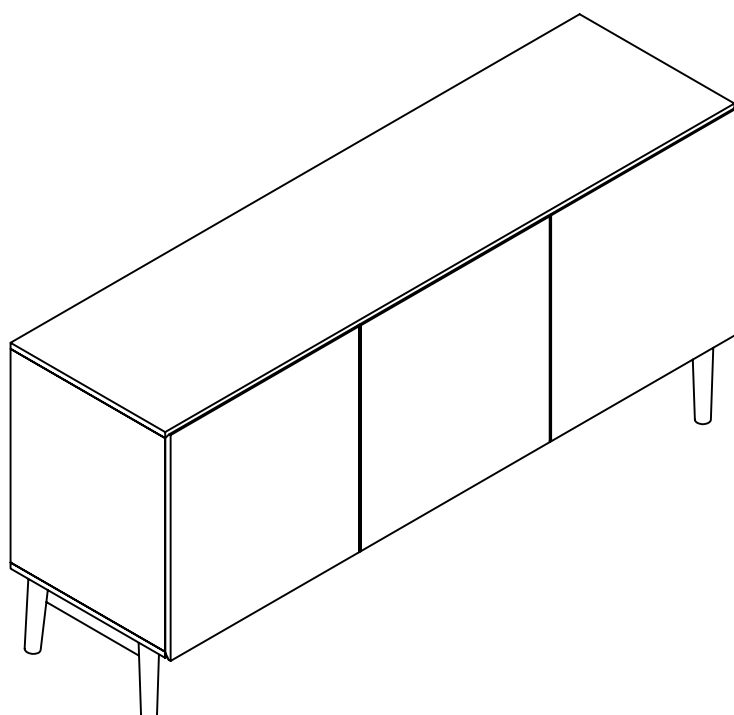
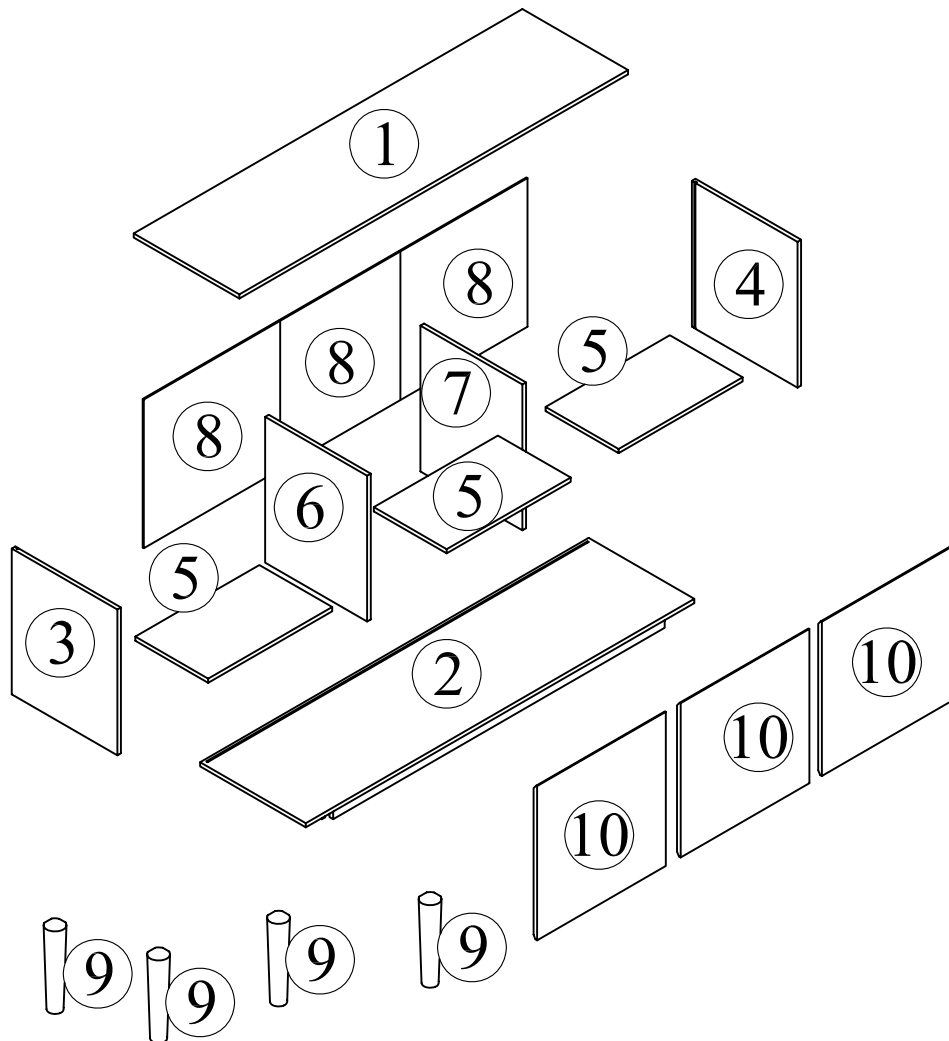
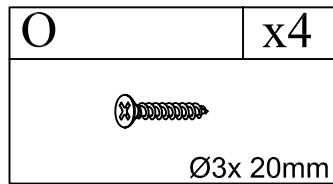
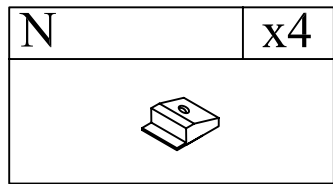
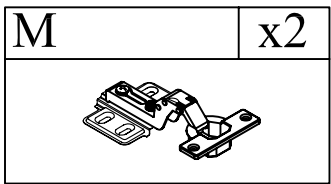
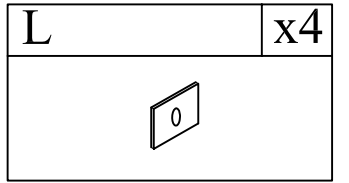
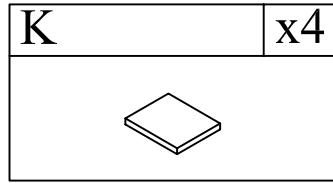
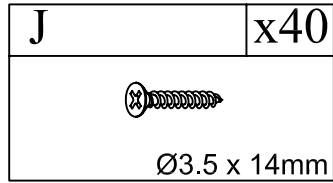
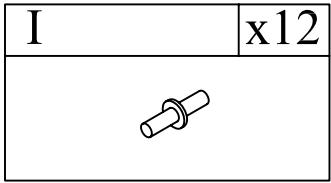
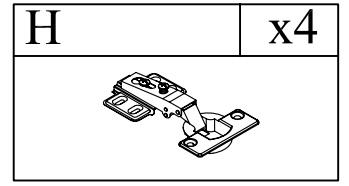
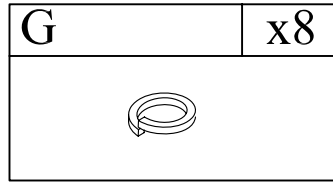
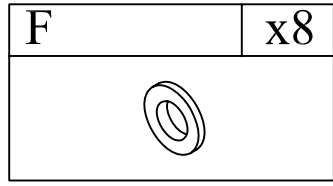
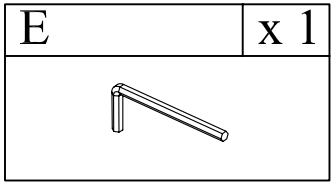
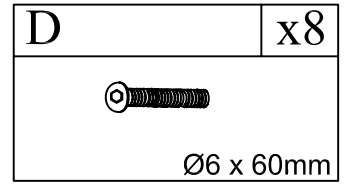
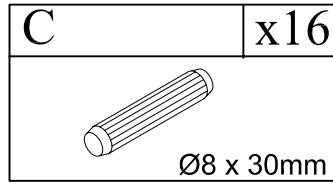
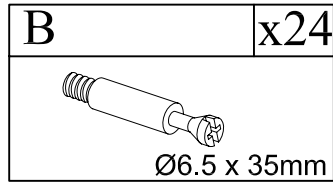
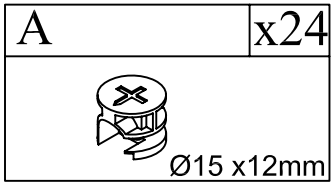




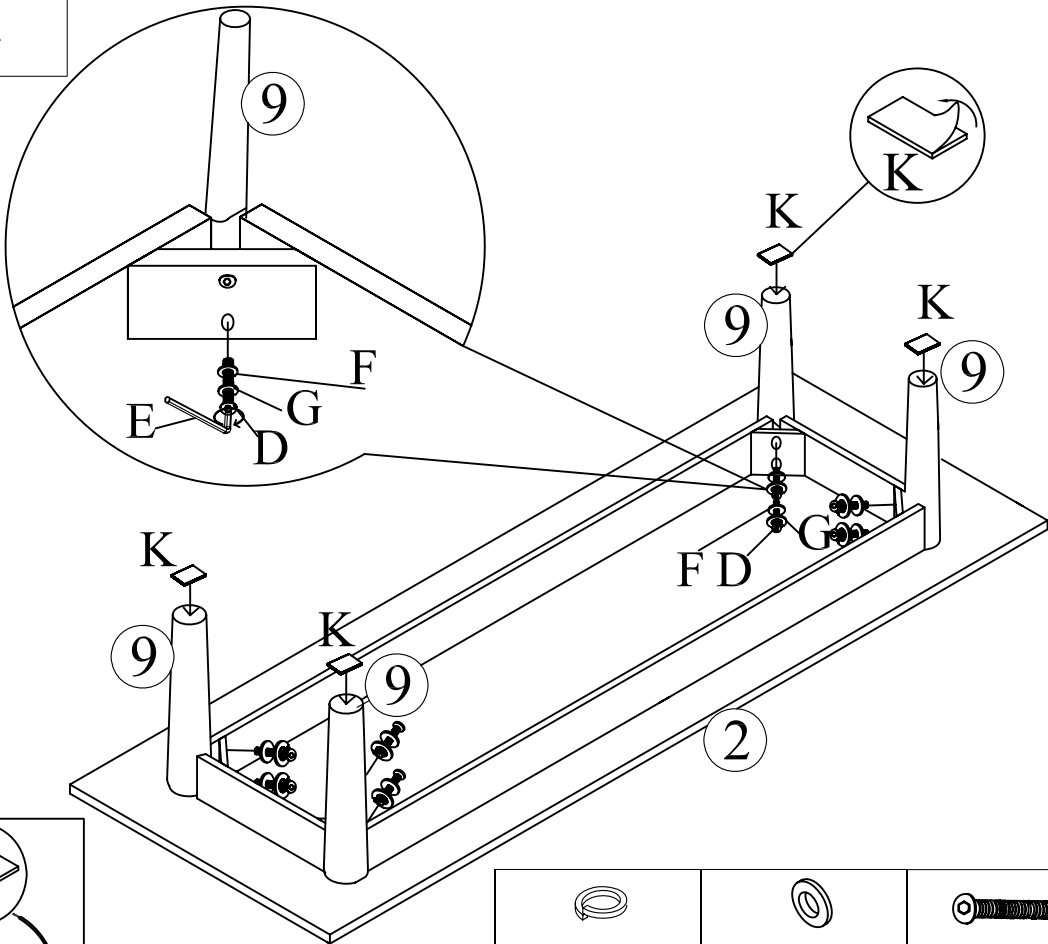
ARTIC

147 109/146 846





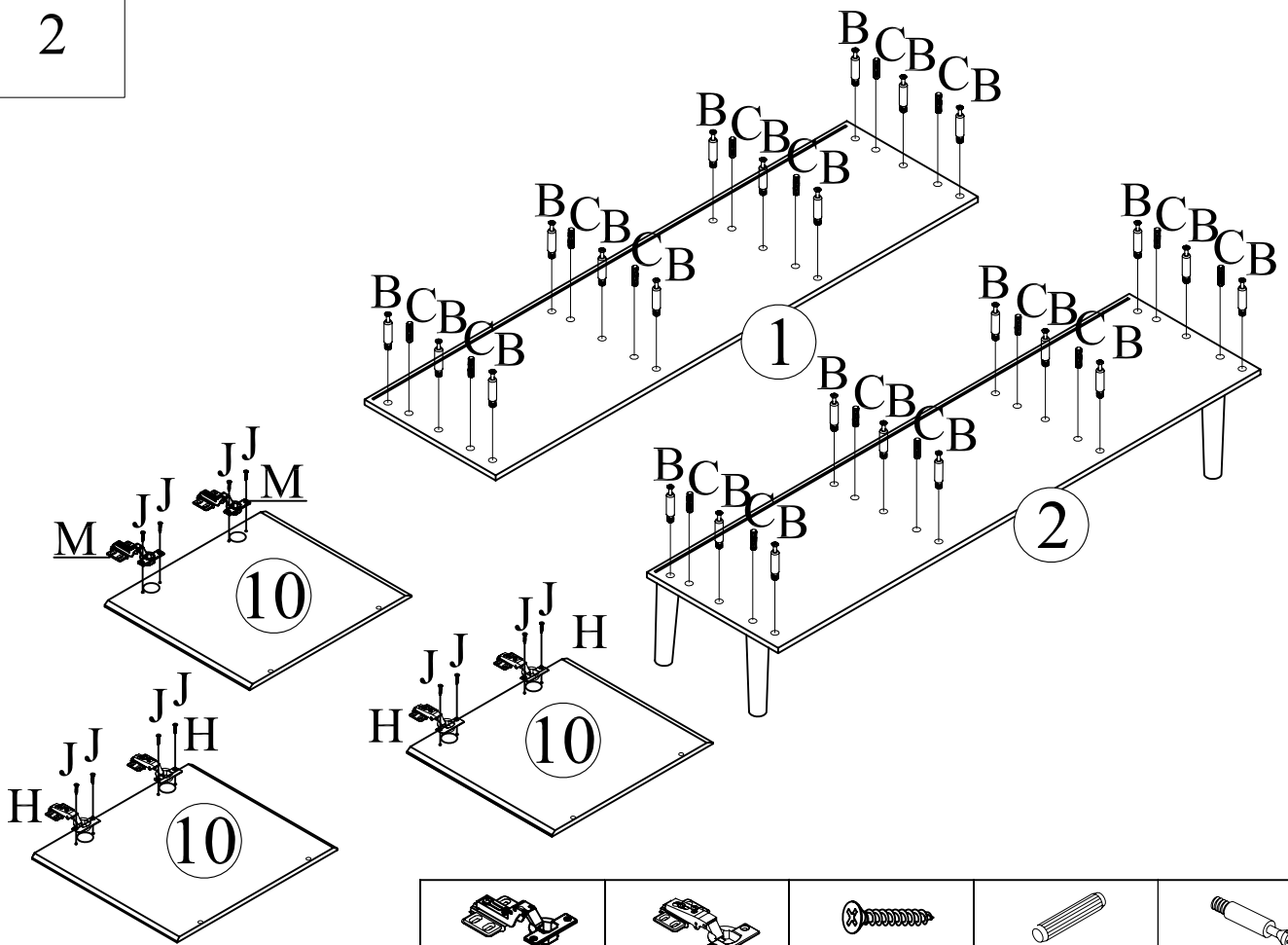
1



G x 8	F x 8	D x 8	E x 1

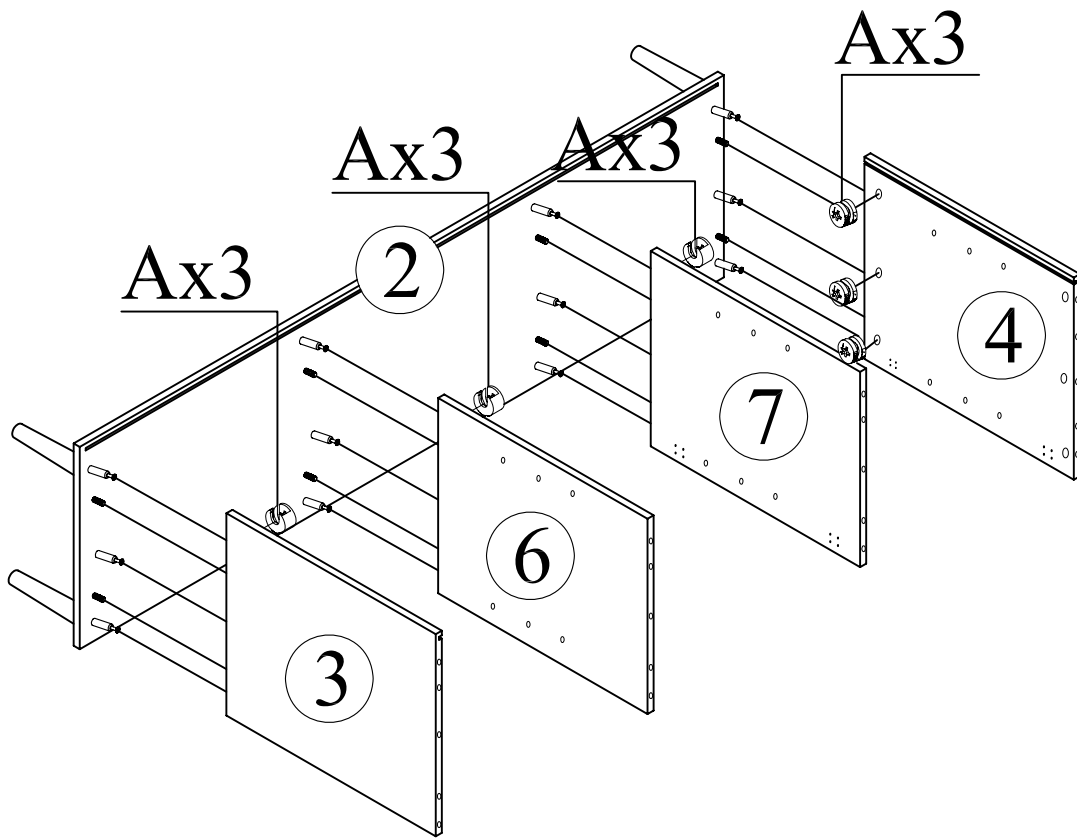
K x 4

2



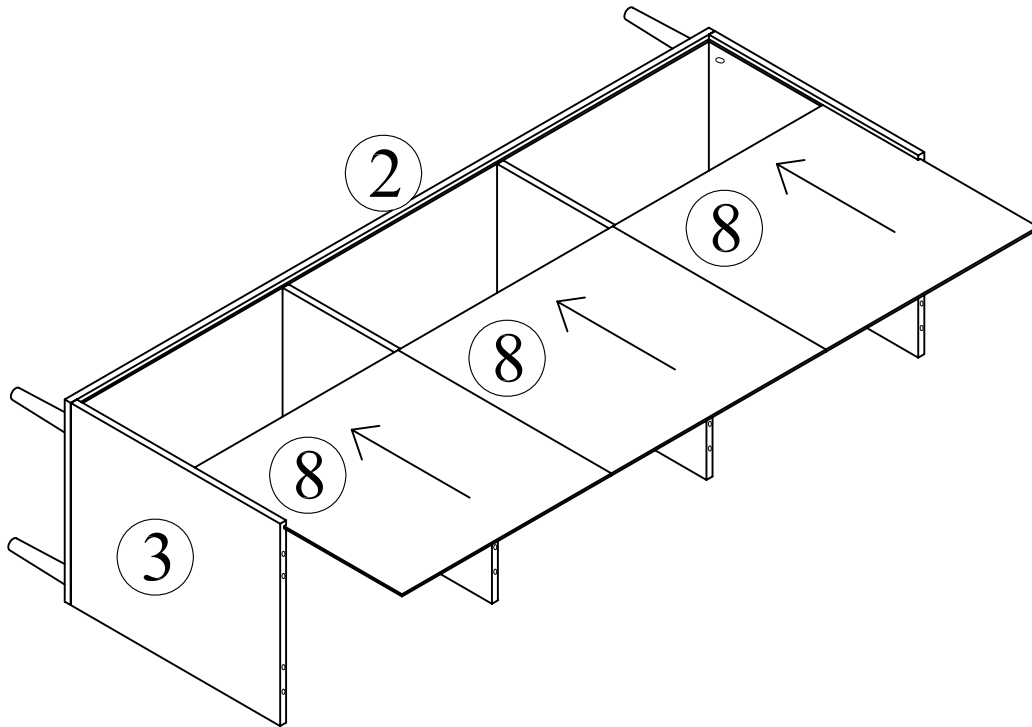
M x 2	H x 4	J x 12	C x 16	B x 24

3

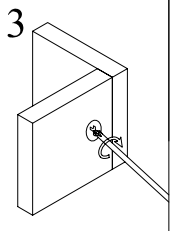
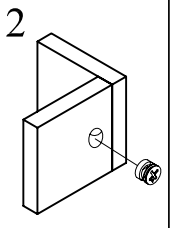
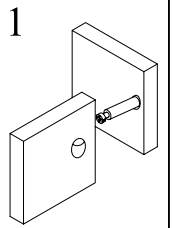
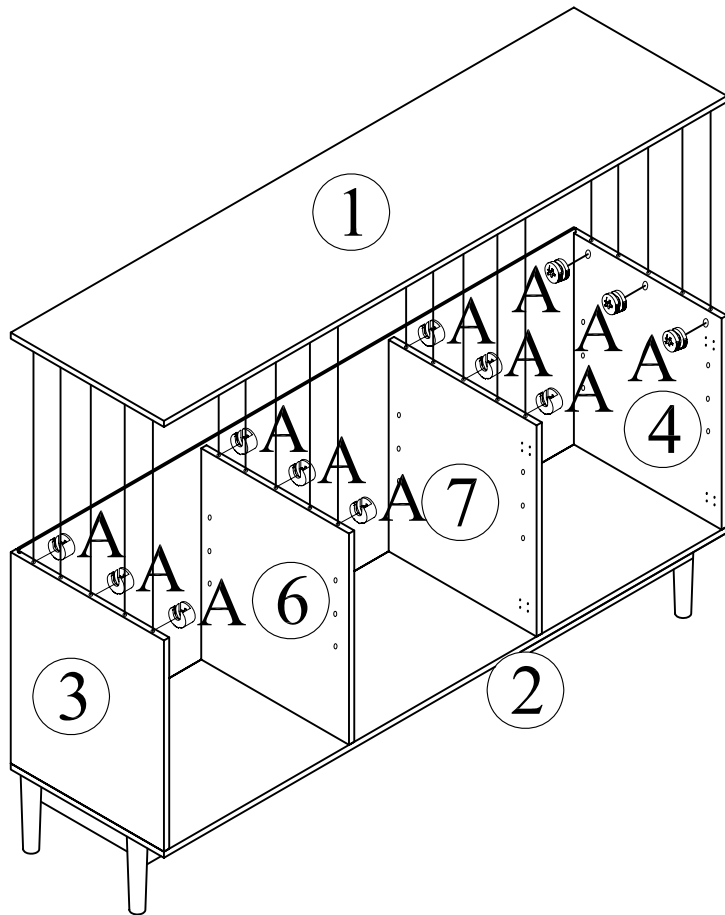


$A \times 12$

4

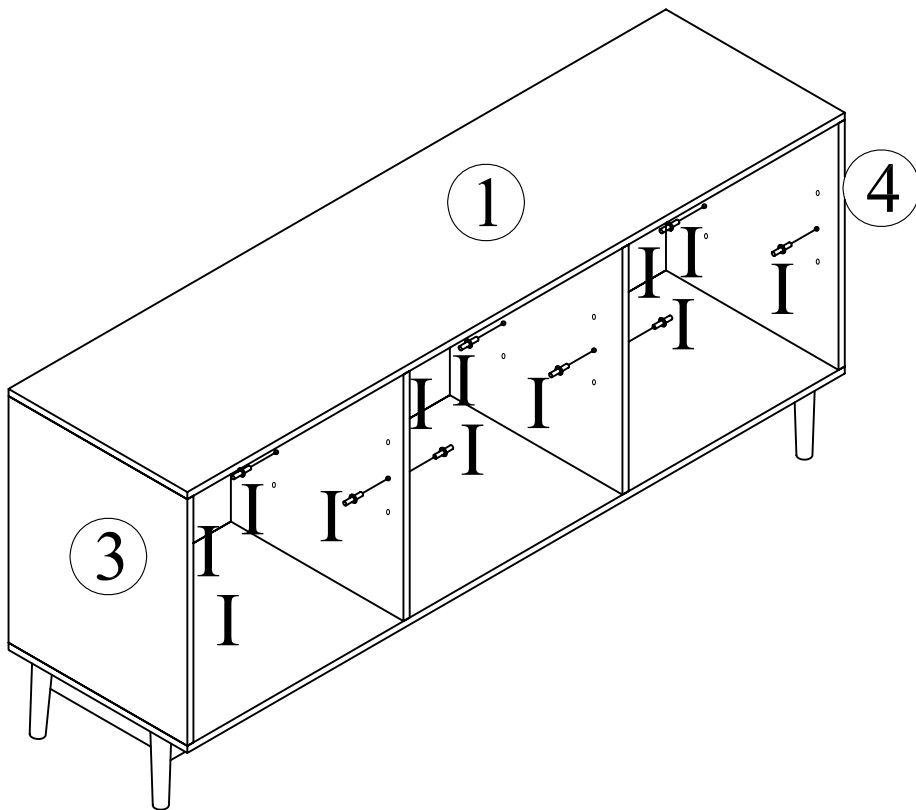


5



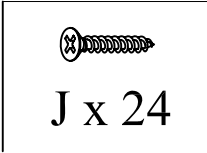
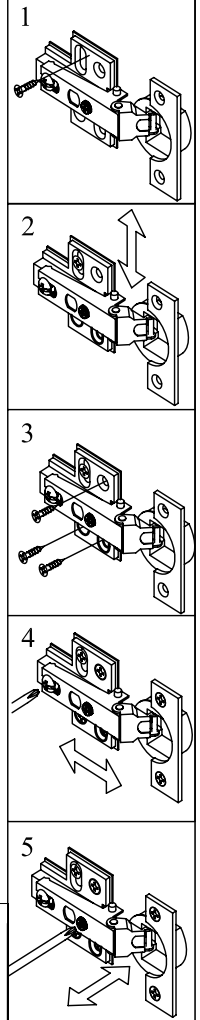
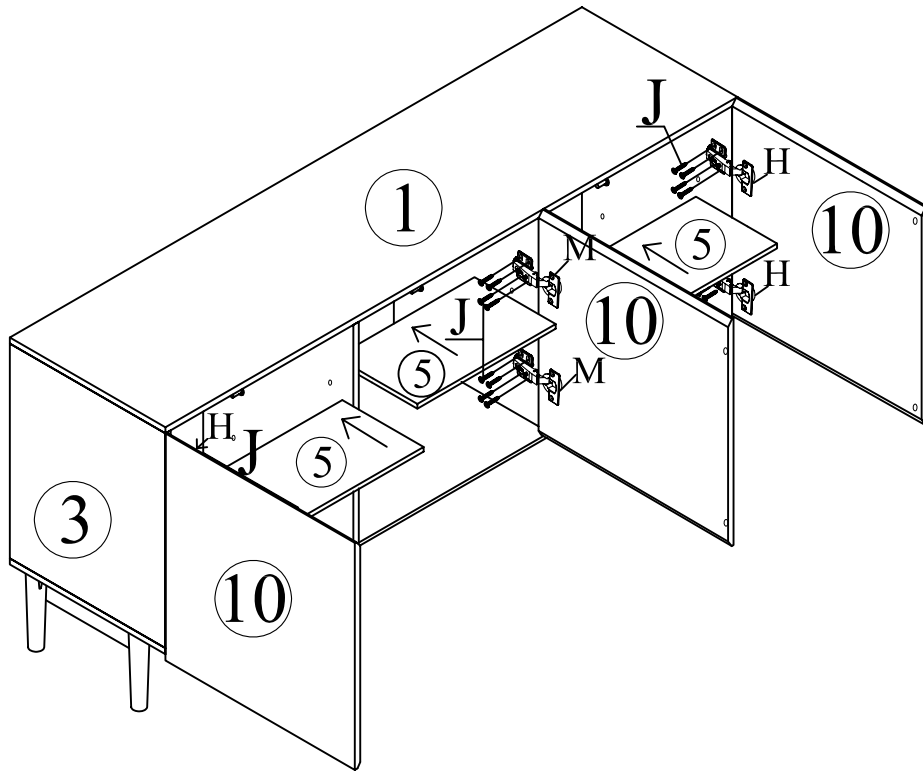
A x 12

6

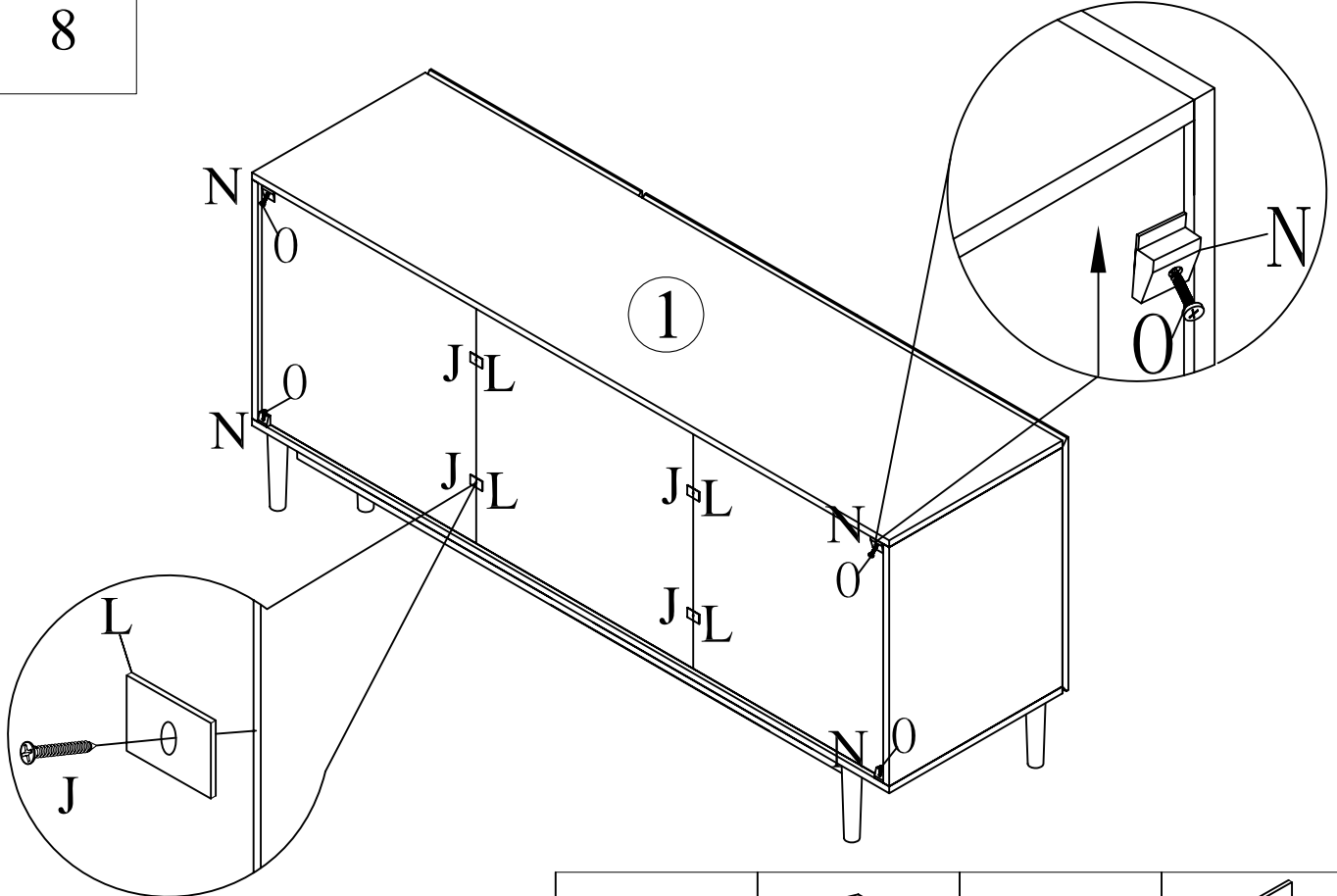





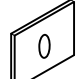
I x 12

7



8



			
O x 4	N x 4	J x 4	L x 4