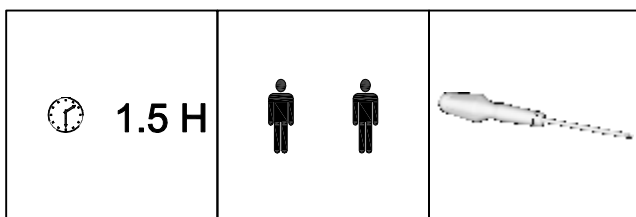
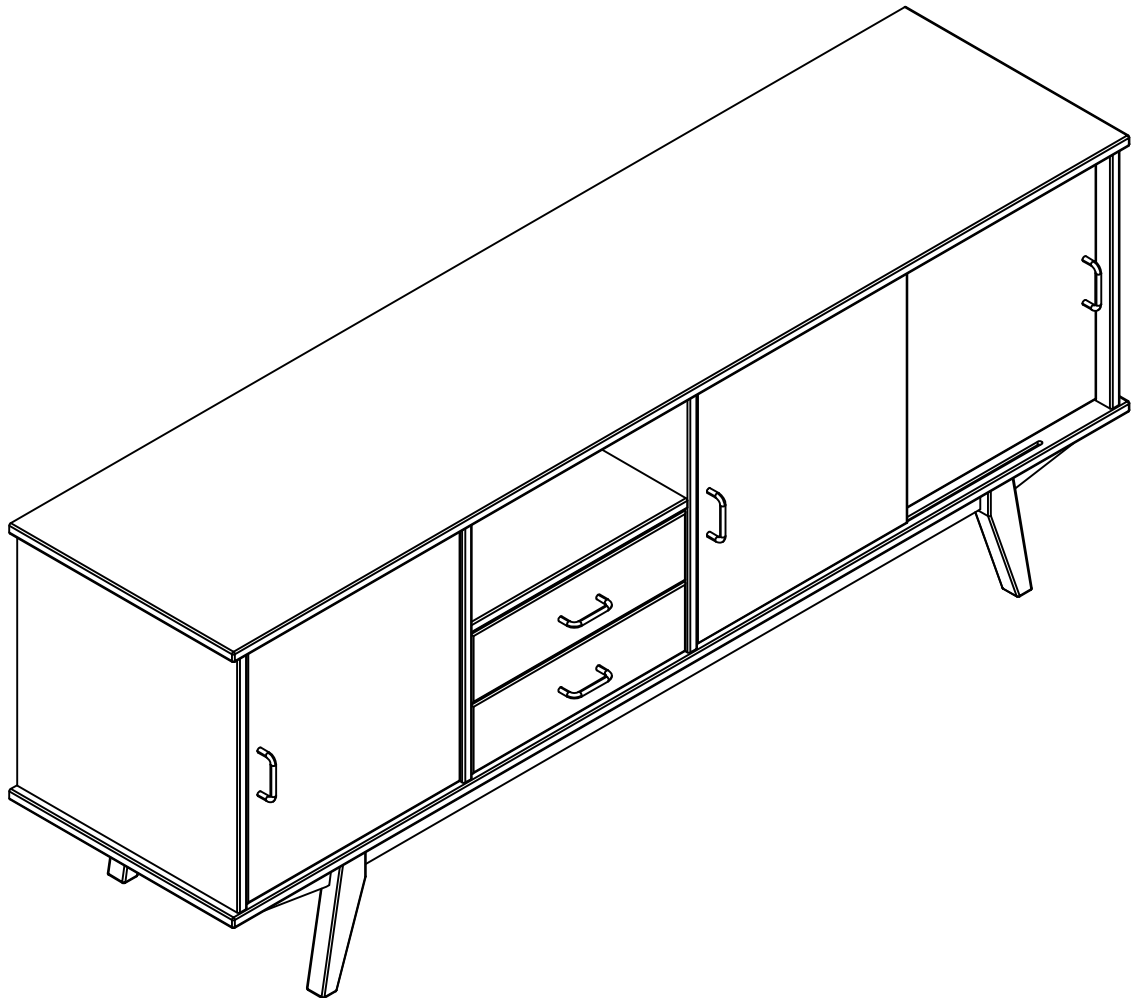
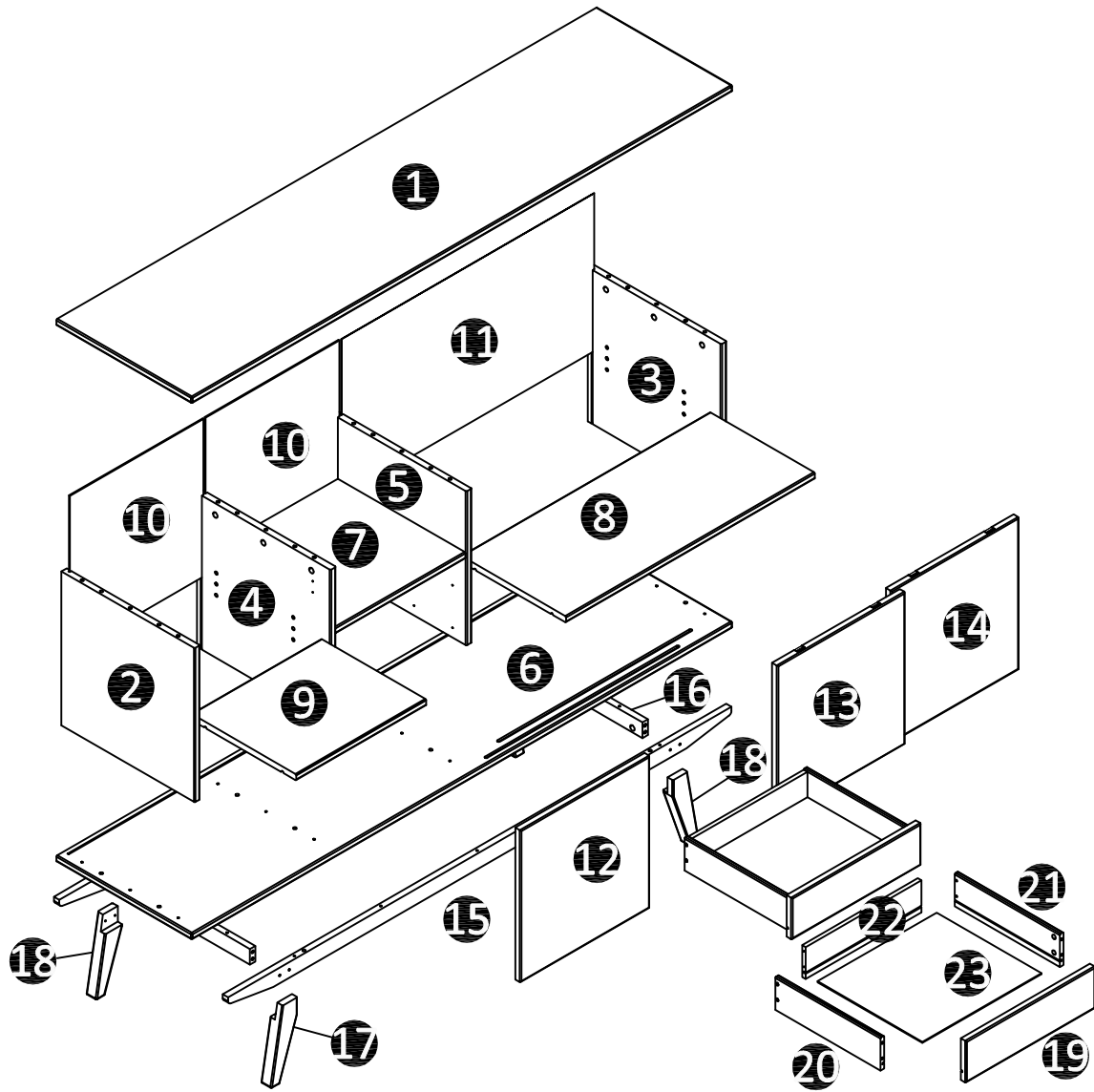


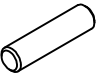

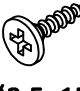





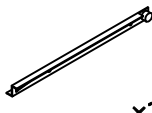
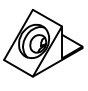

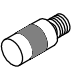



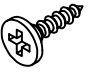


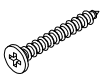
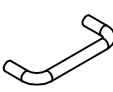



PAULETTE

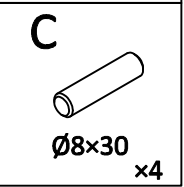
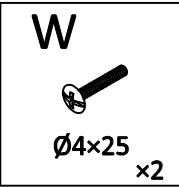
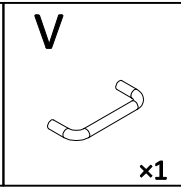
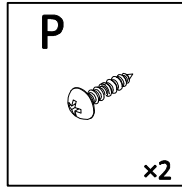
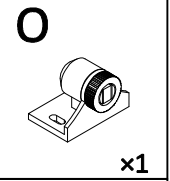
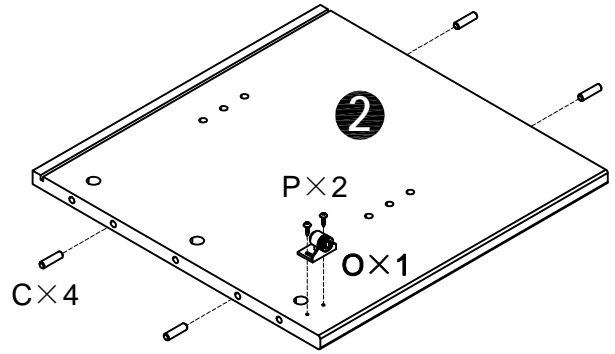
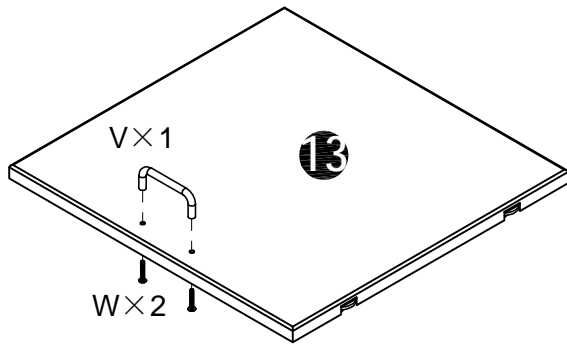
155817



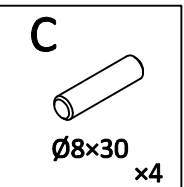
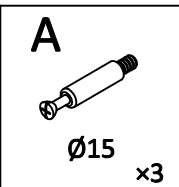
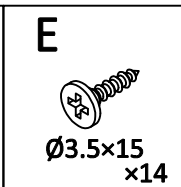
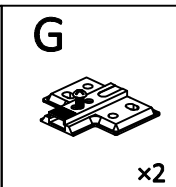
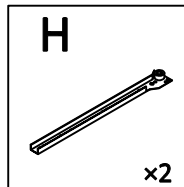
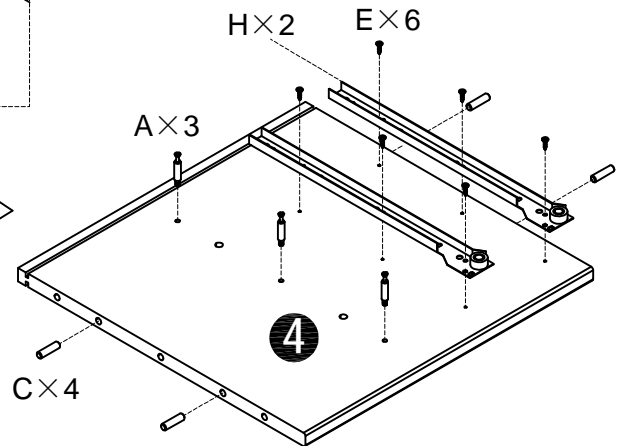
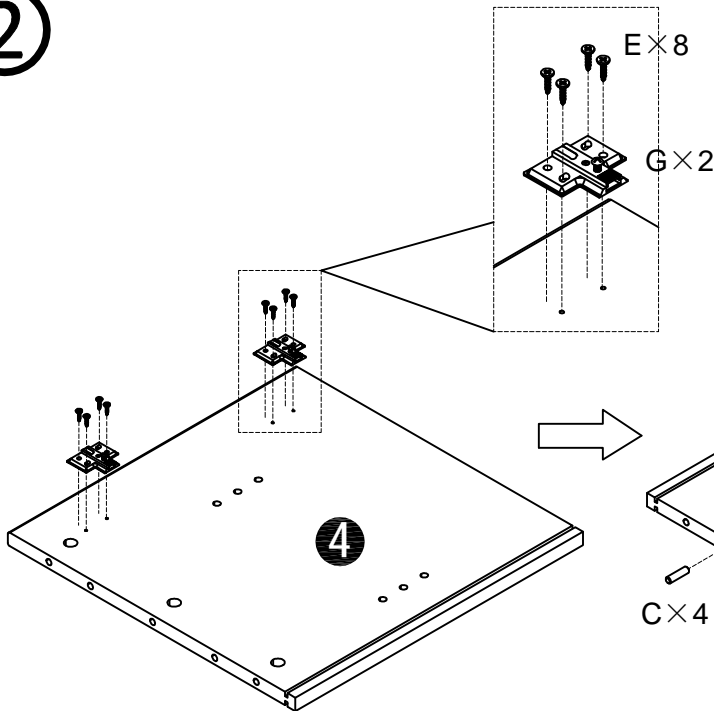


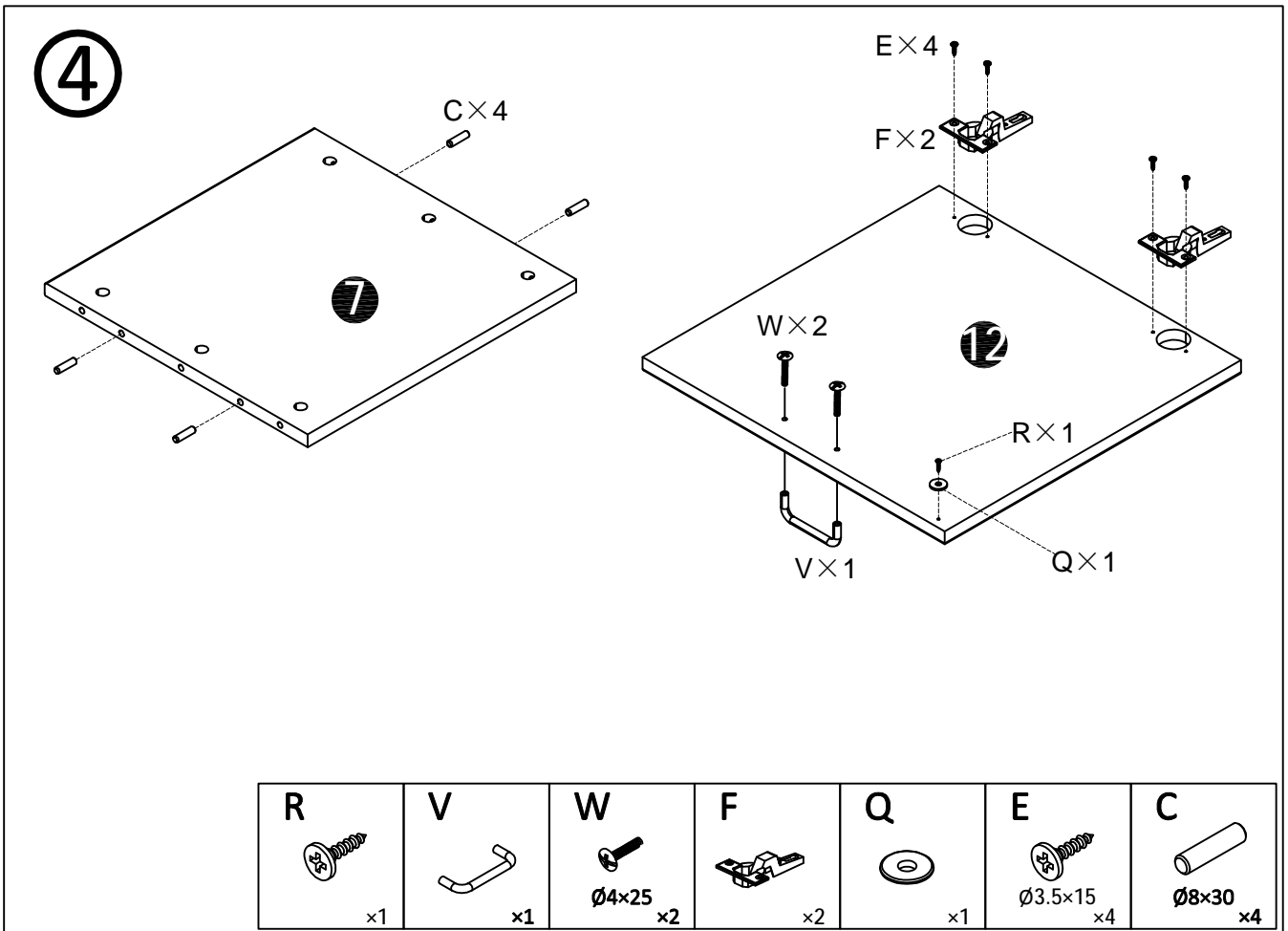
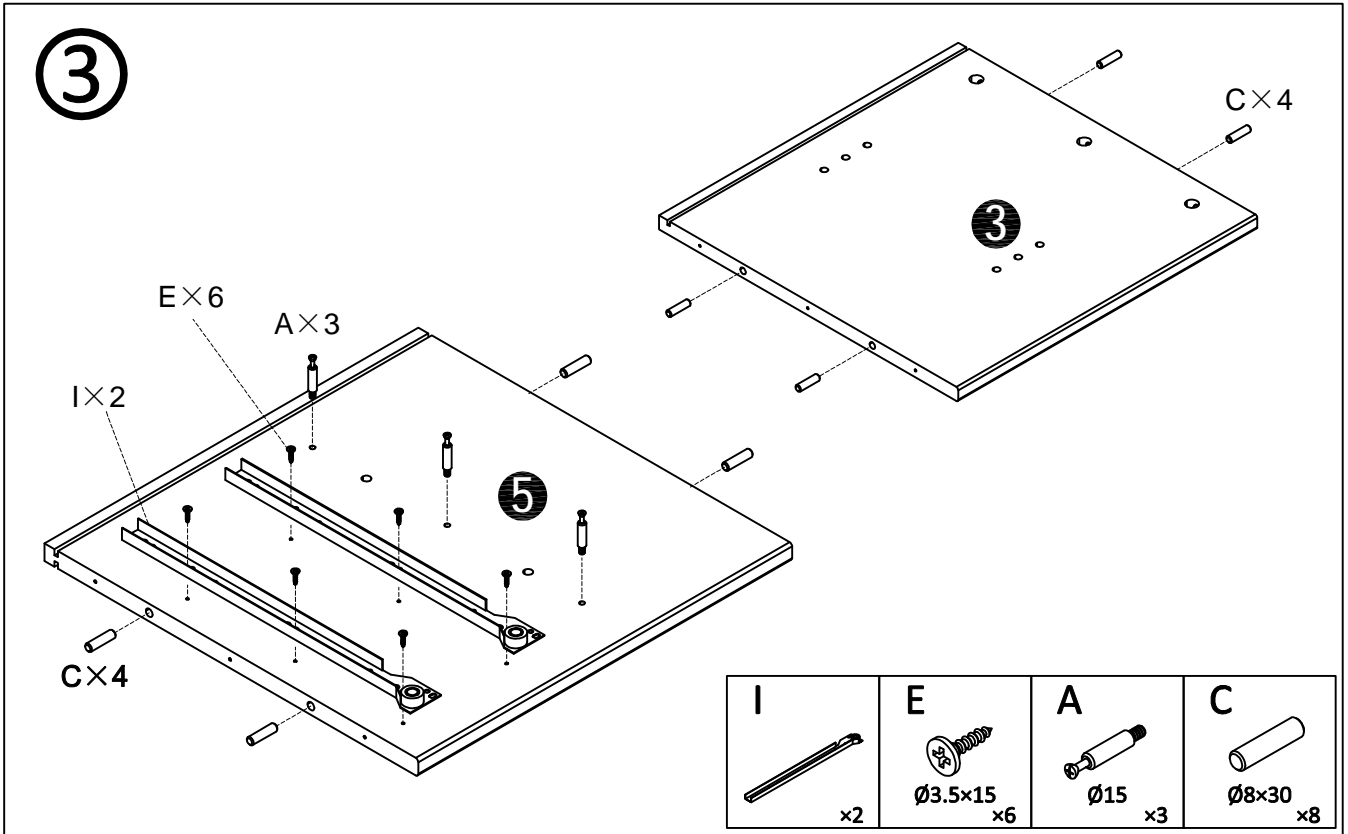
A  $\varnothing 15$ x22	B  $\varnothing 15$ x22	C  $\varnothing 8 \times 30$ x28				
D  $\varnothing 4 \times 30$ x34	E  $\varnothing 3.5 \times 15$ x36	F  x2	G  x2	H  x2	I  x2	J  x2
K  x2	L  x6	M  $\varnothing 3 \times 20$ x6	N  x8	O  x1	P  x2	Q  x1
R  x1	S  $\varnothing 12$ x8	T  $\varnothing 12$ x8	U  $\varnothing 3.5 \times 25$ x8	V  x5	W  $\varnothing 4 \times 25$ x10	

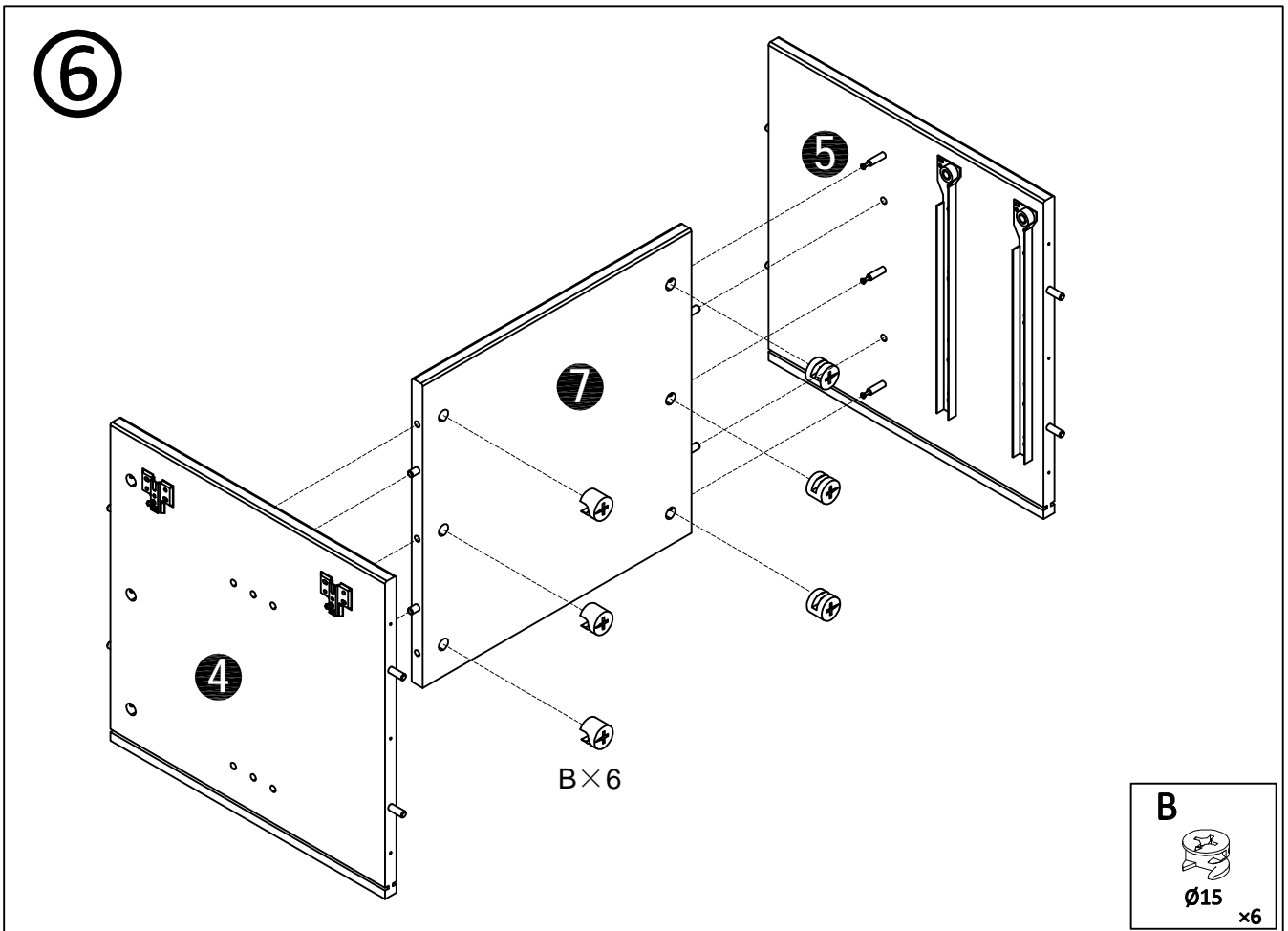
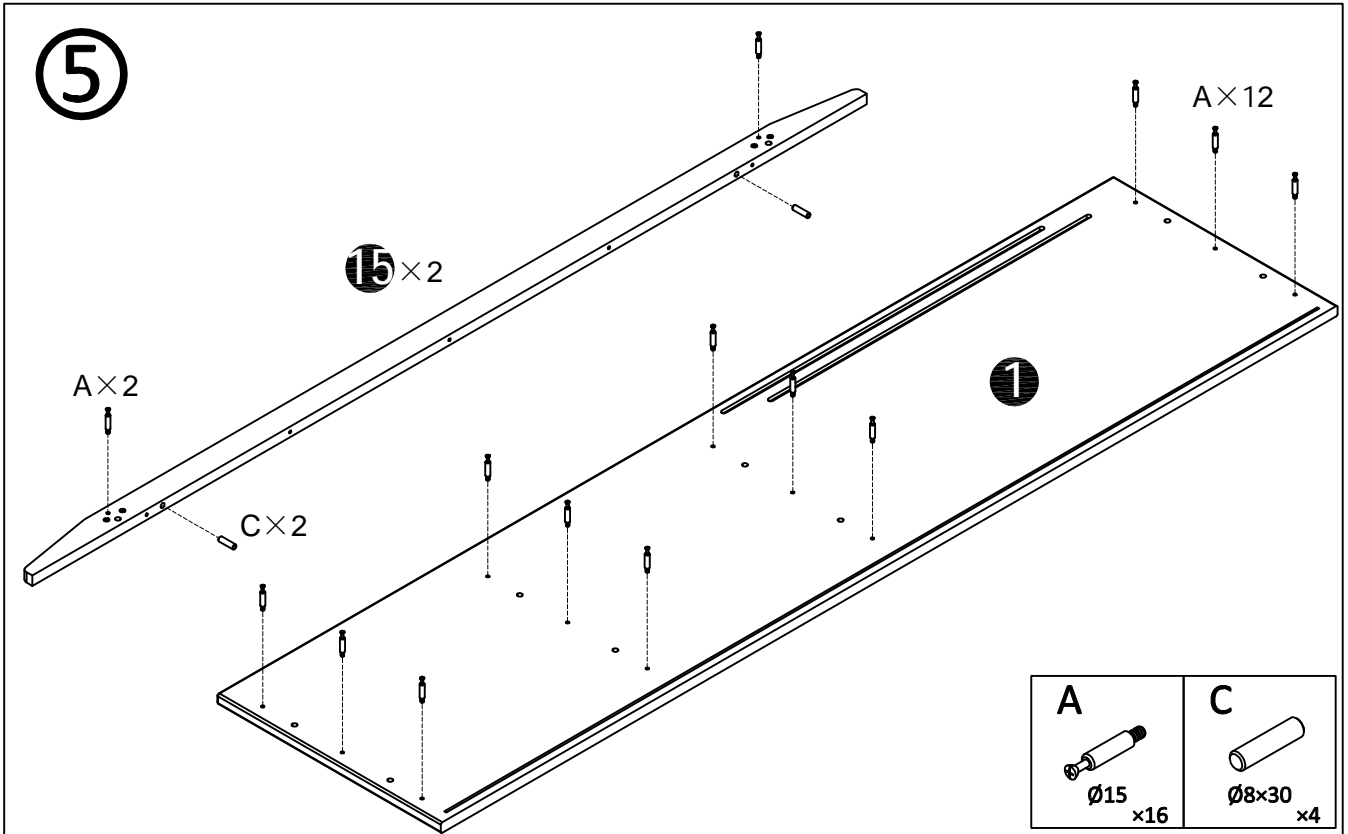
①

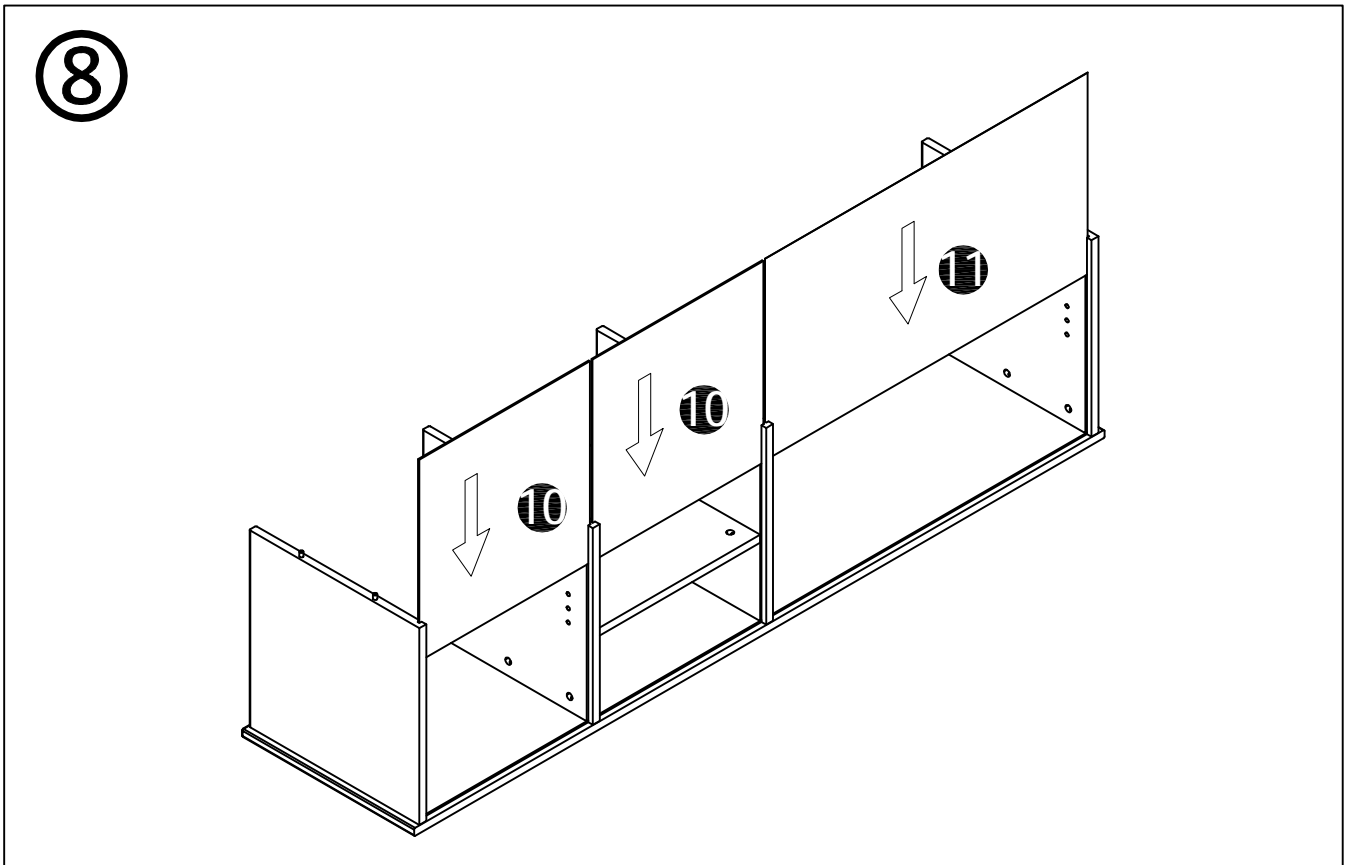
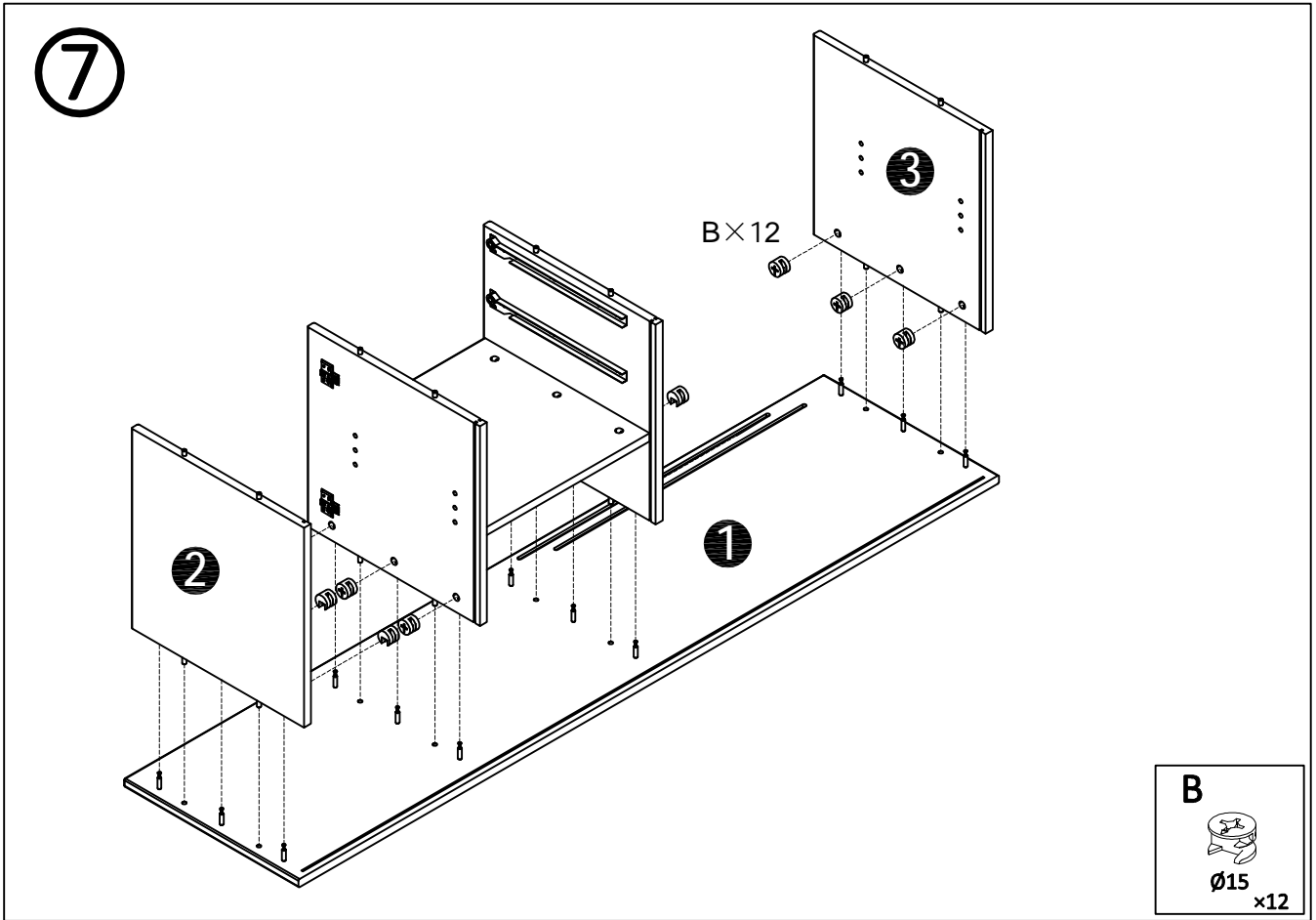


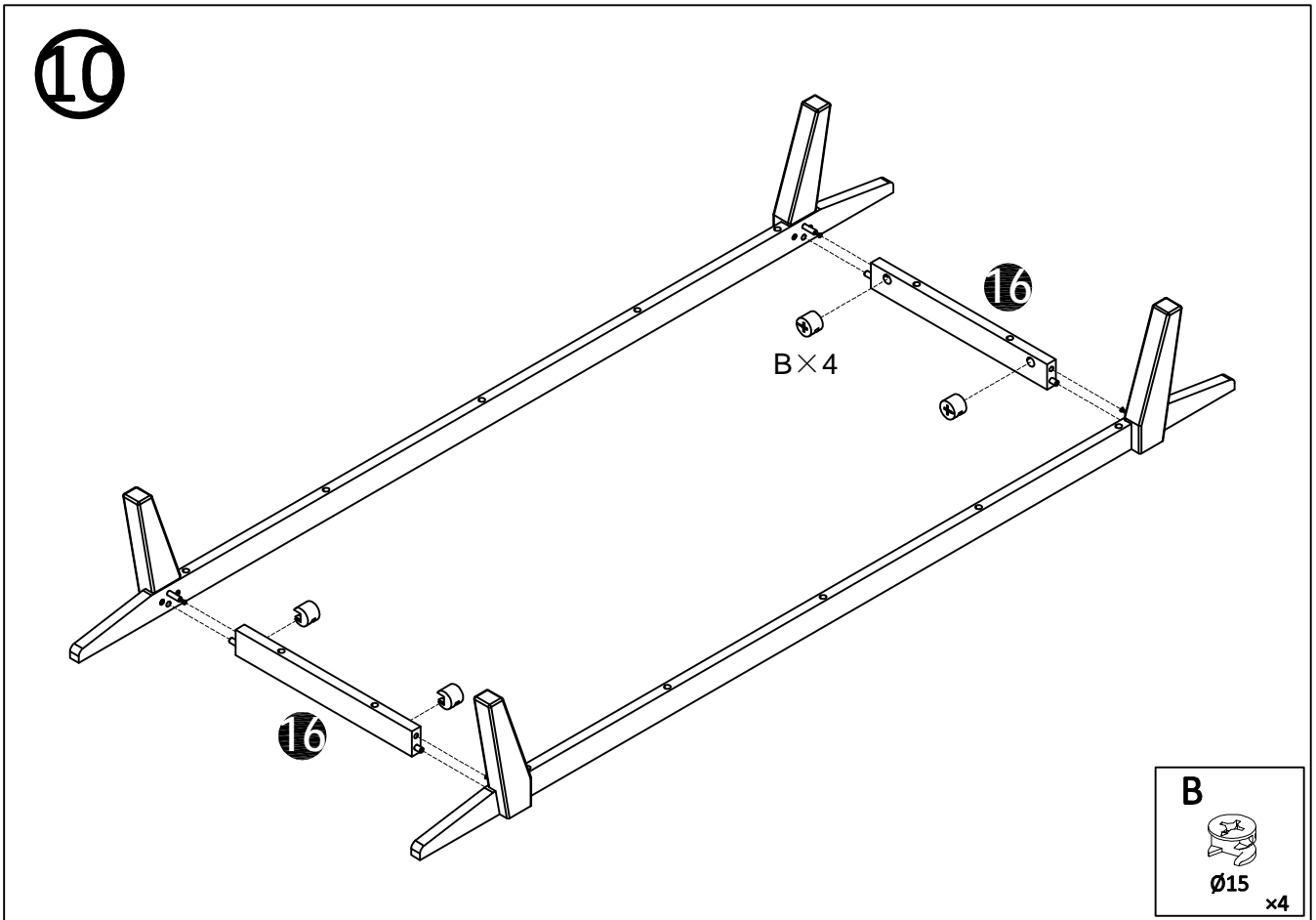
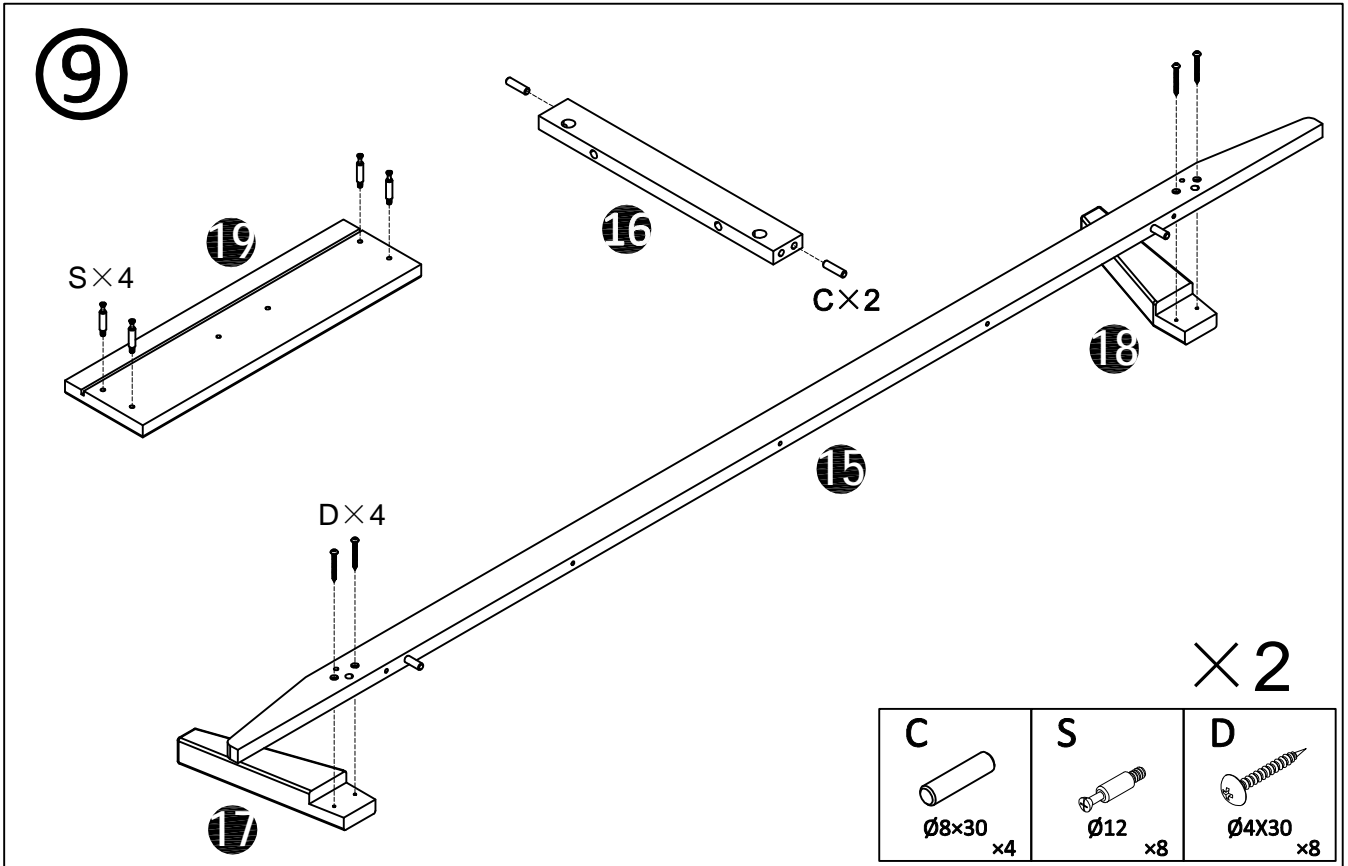
②



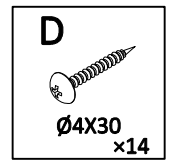
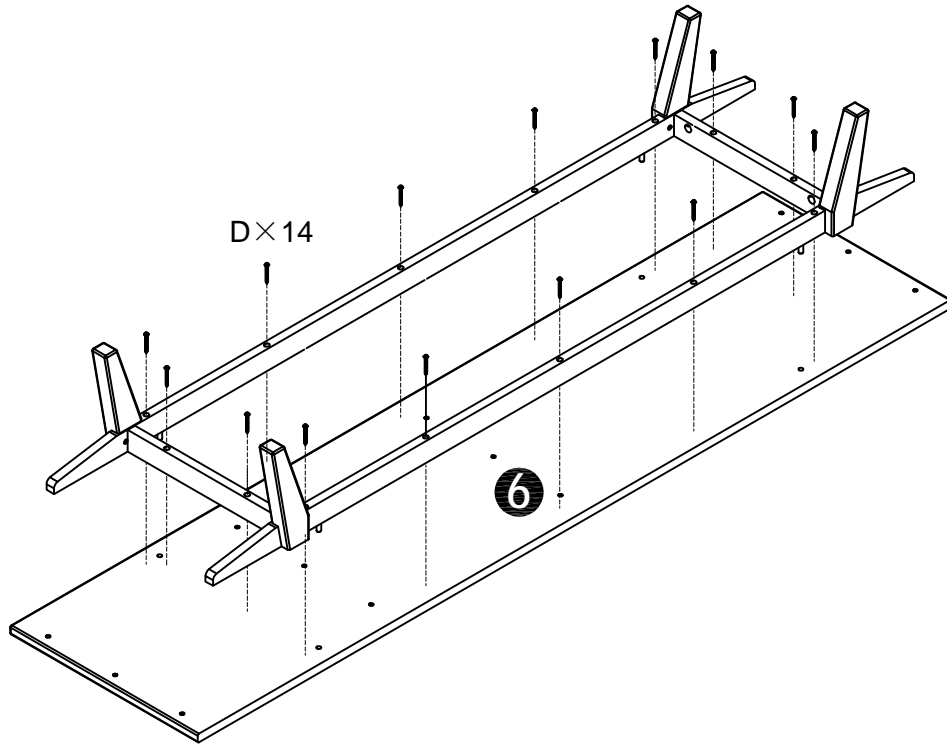




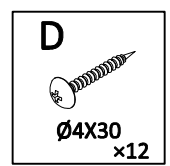
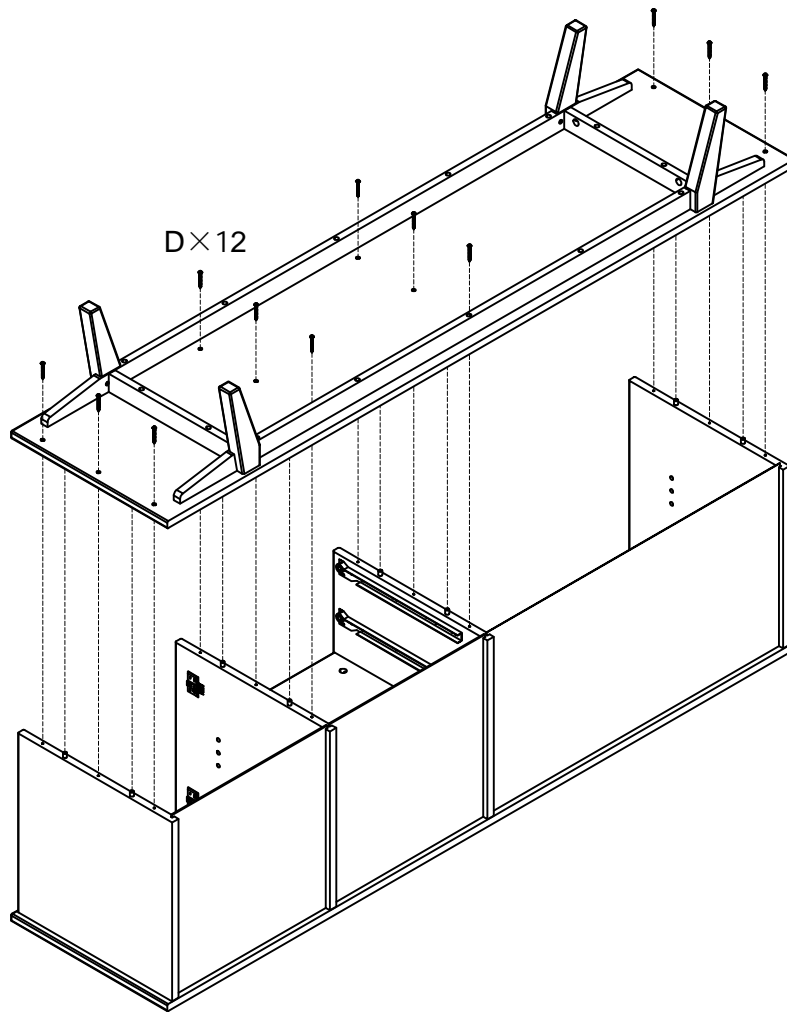




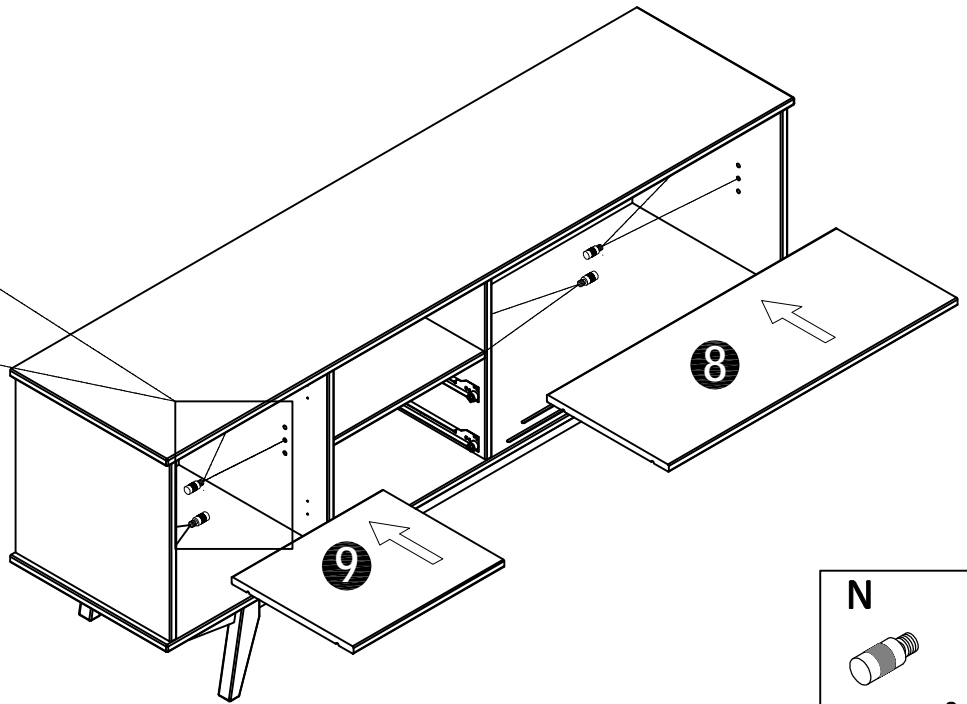
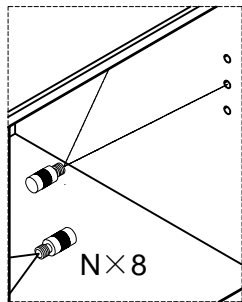
11



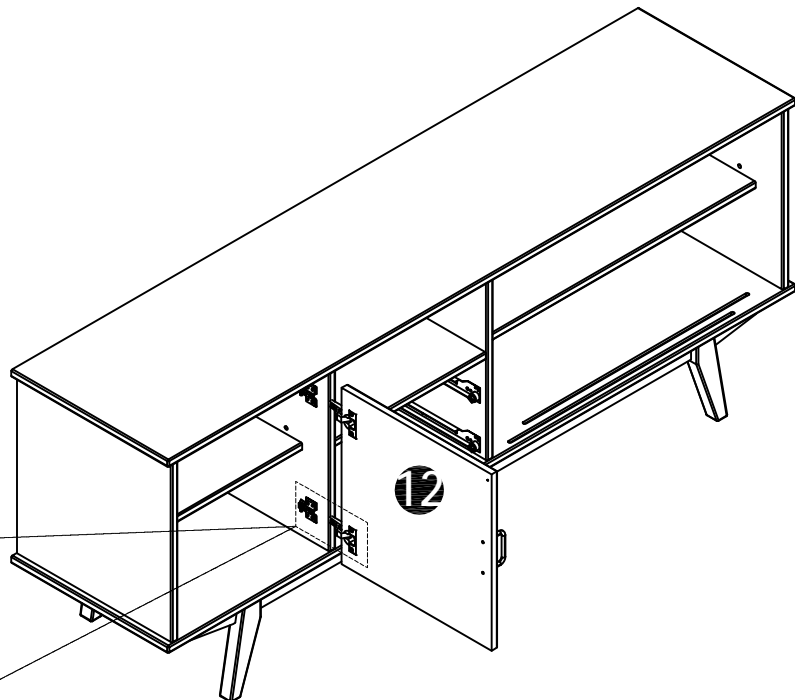
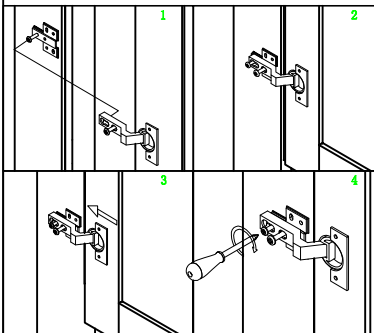
12



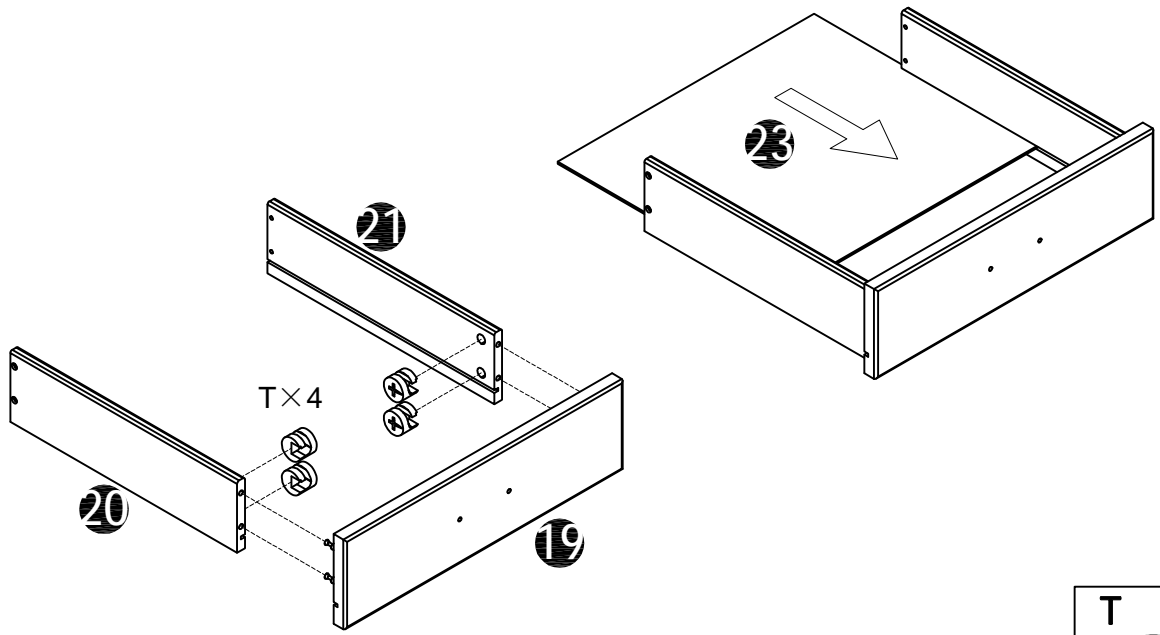
13



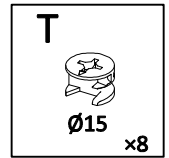
14



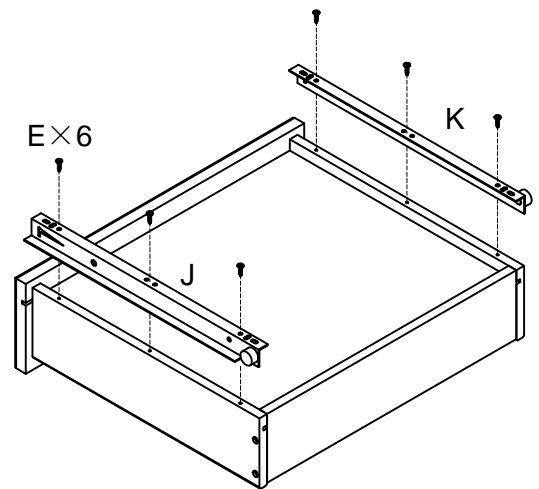
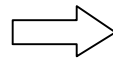
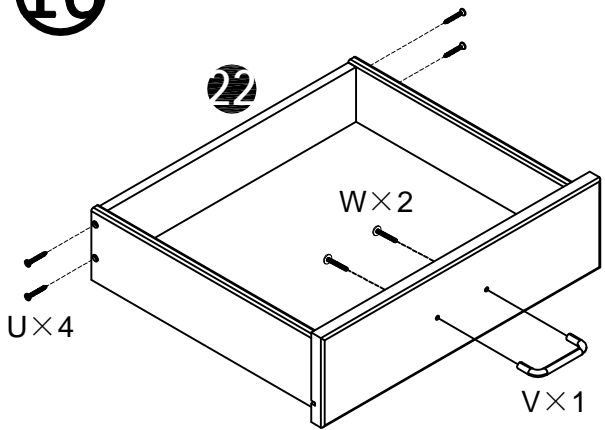
15



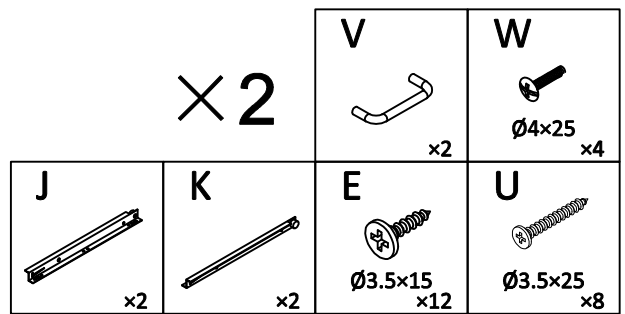
× 2

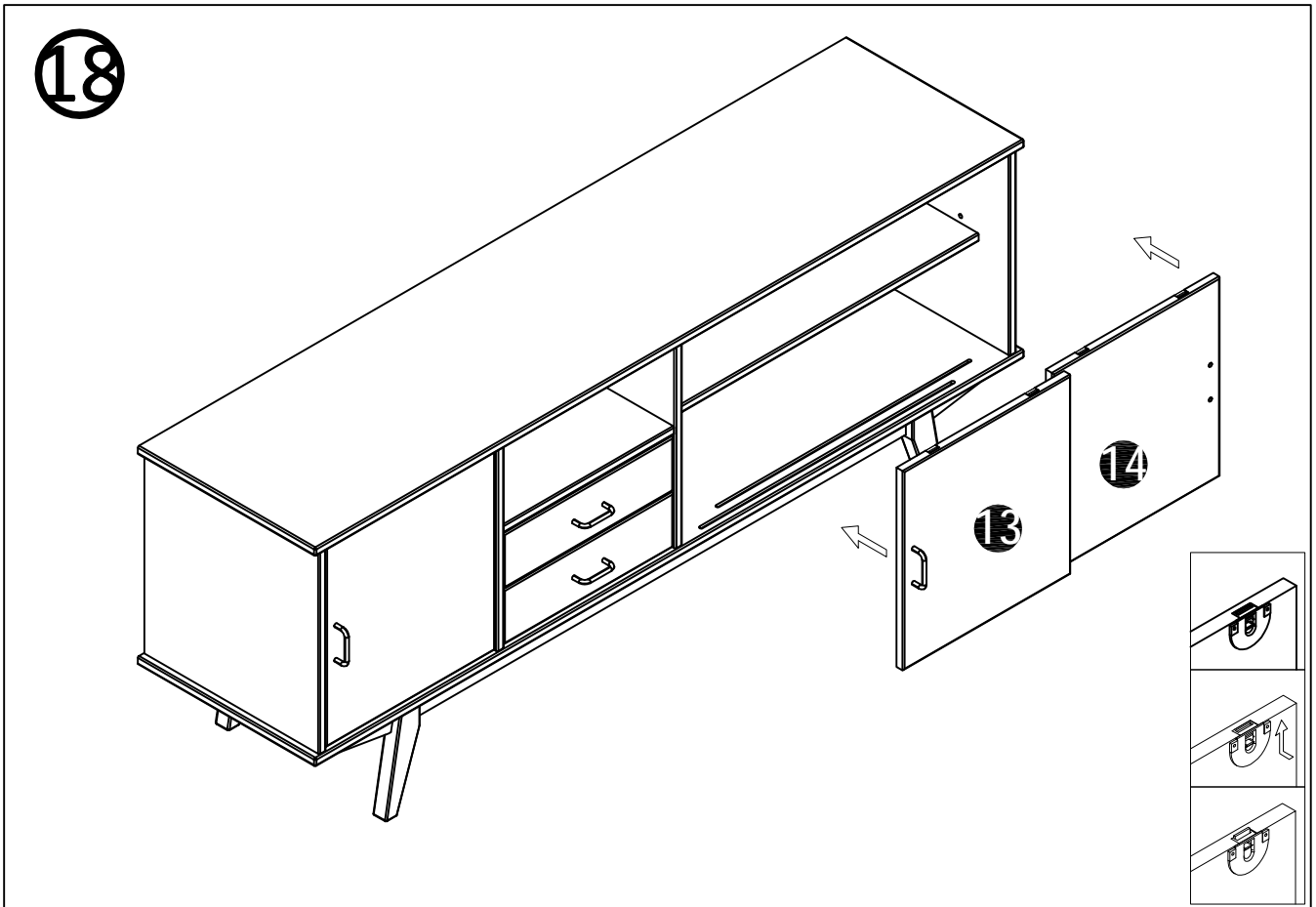
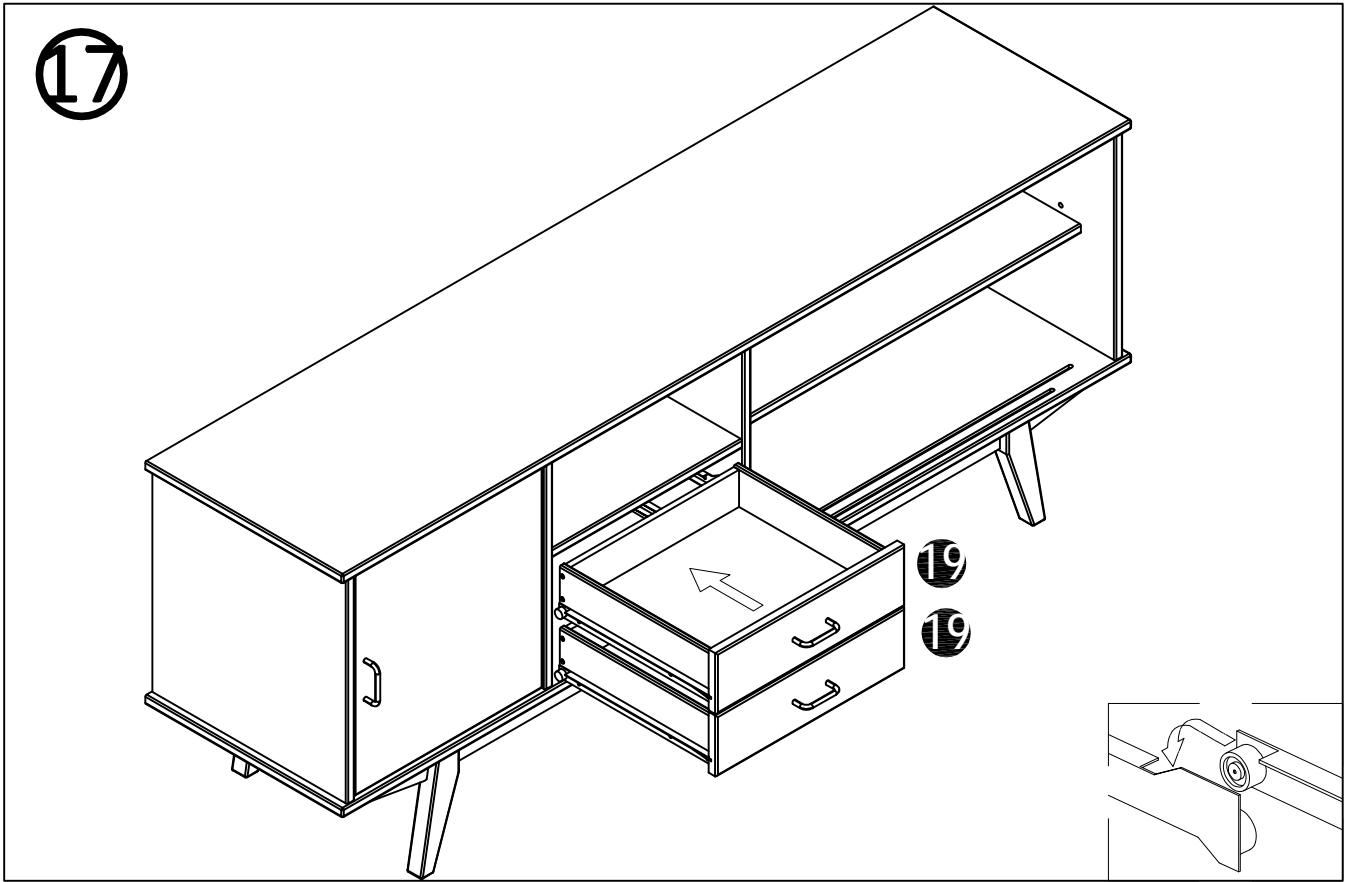


16

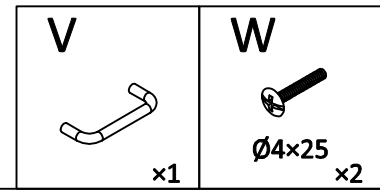
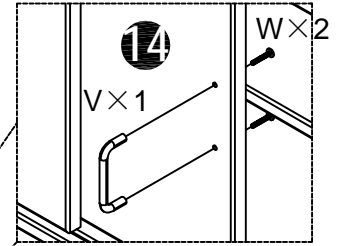
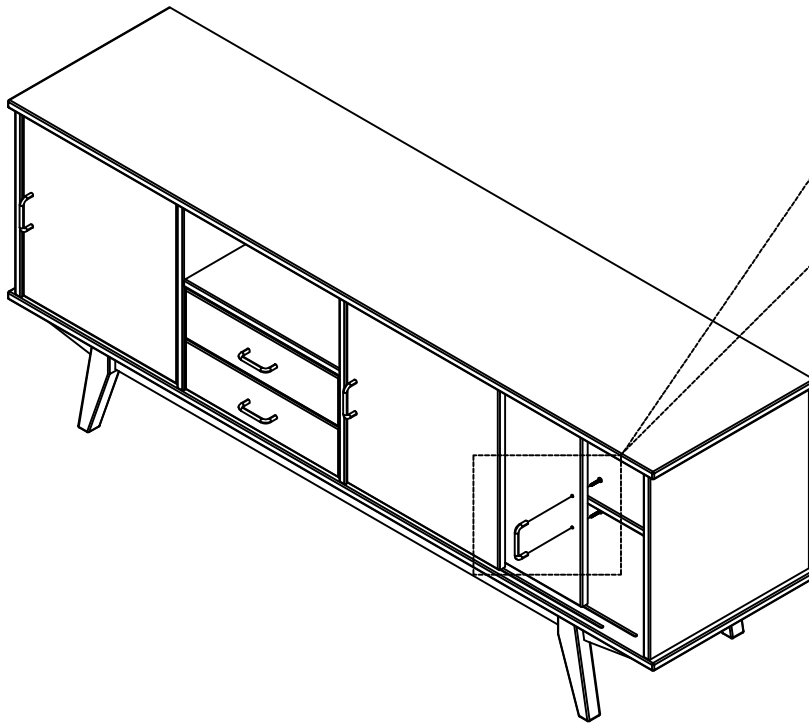


× 2





19



20

