
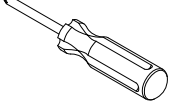
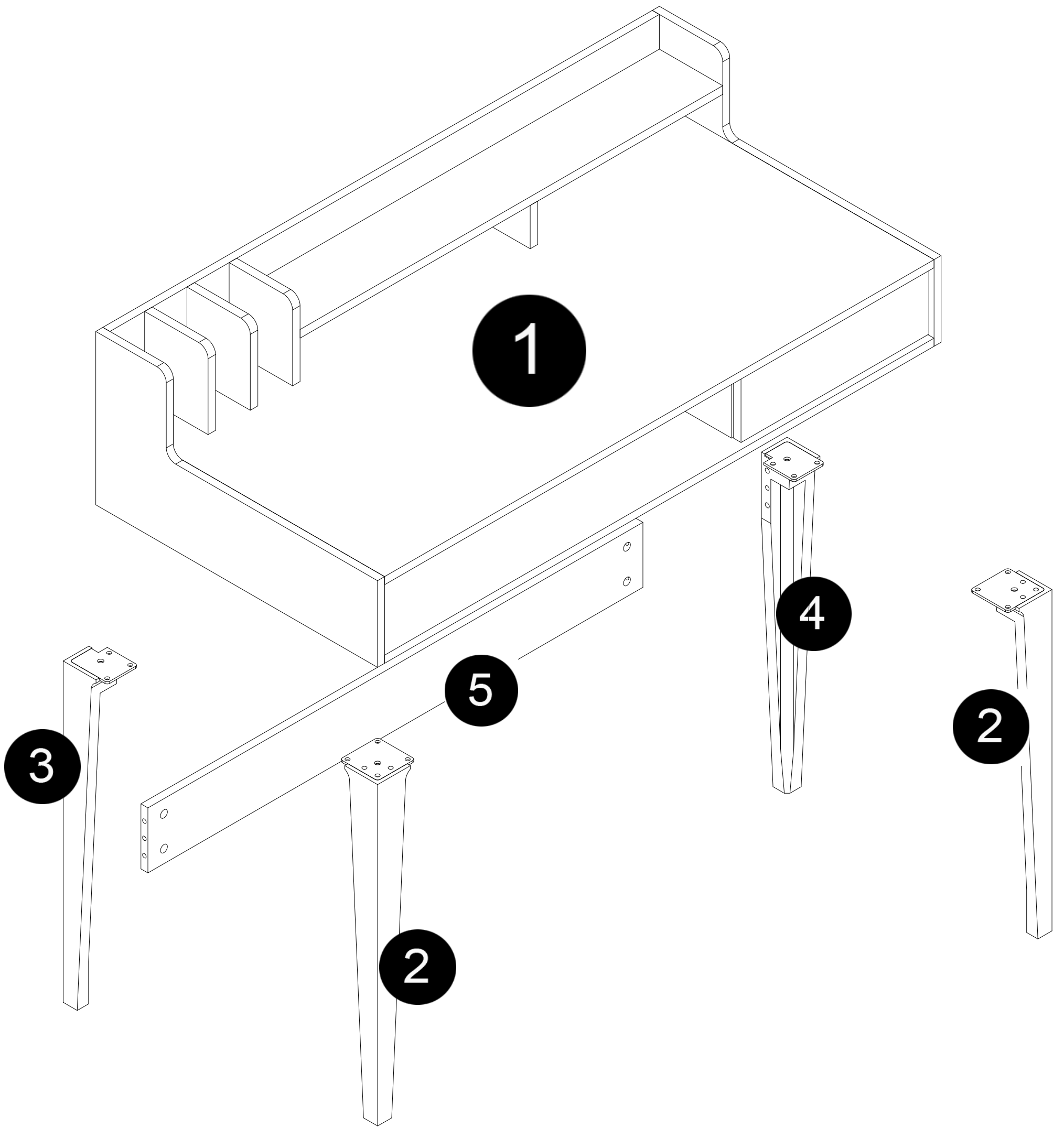


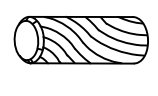

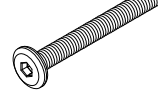


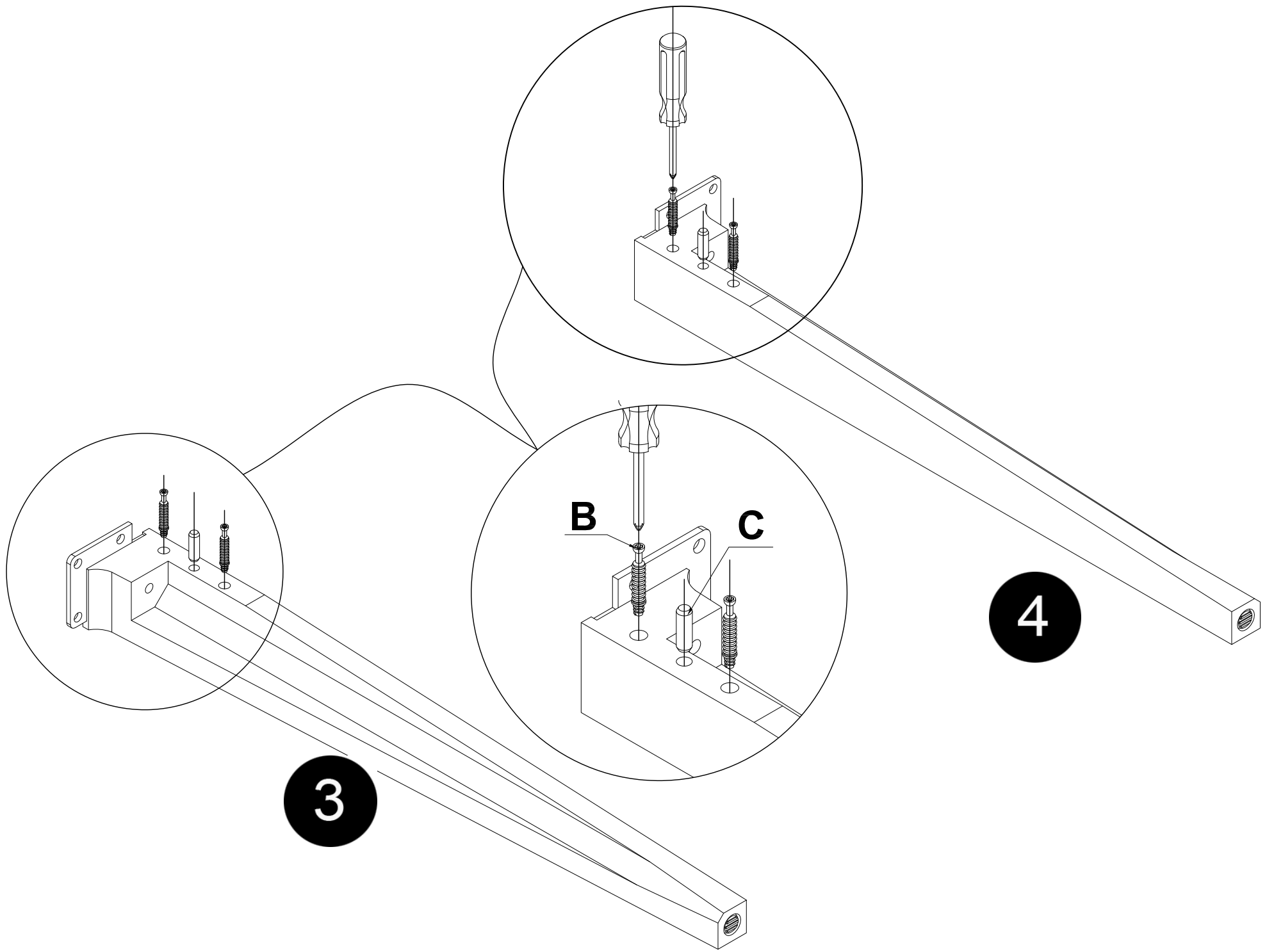
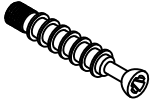

 30 MIN		
--	---	---



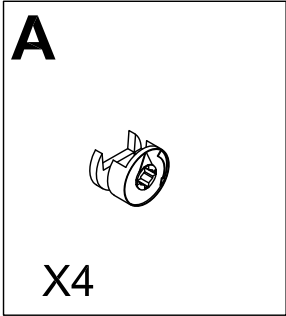
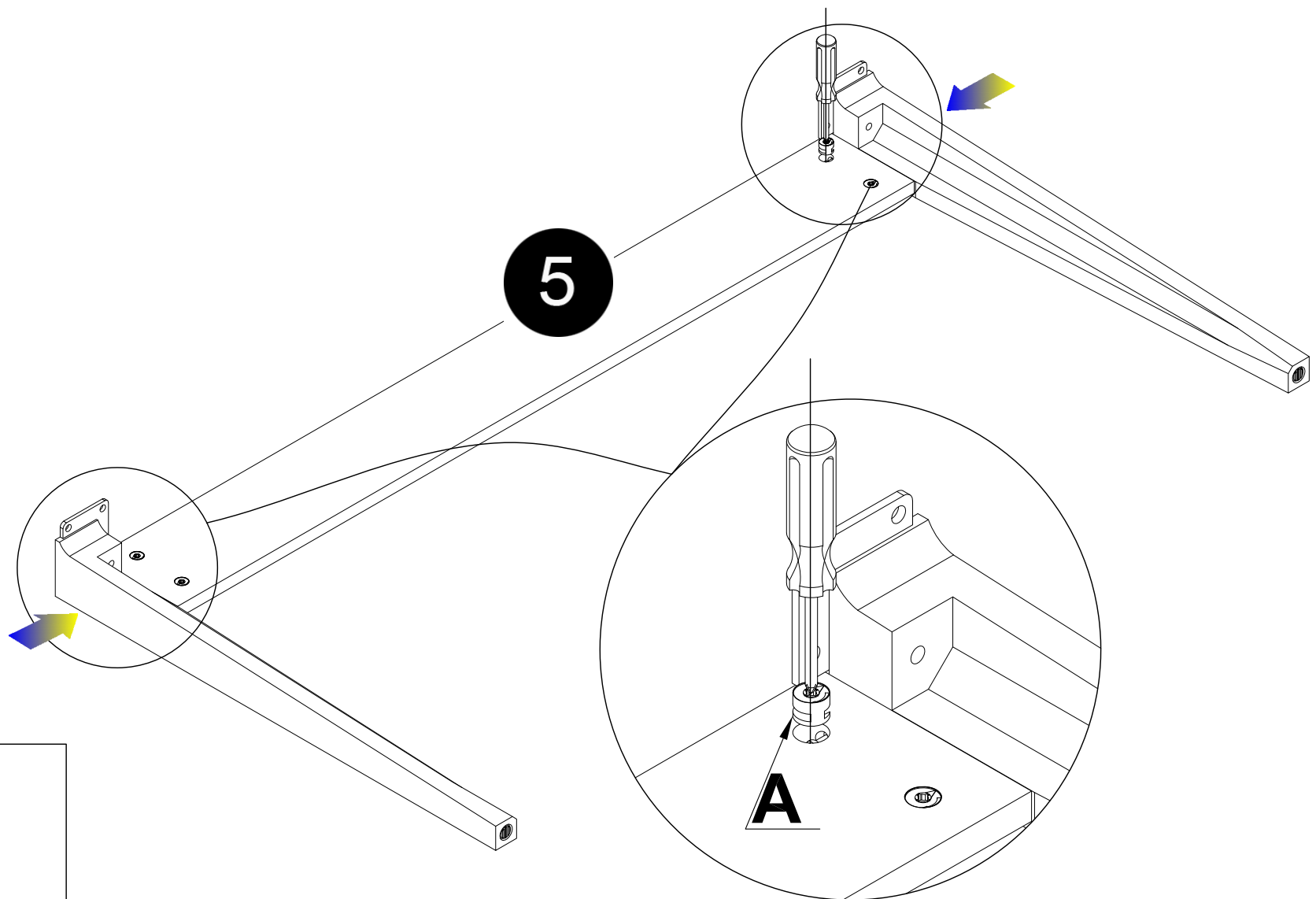
<b>A</b>  X4	<b>B</b>  X4	<b>C</b> Ø7.7x25  X2	<b>D</b> Ø6*15mm  X12	<b>E</b> Ø6*50mm  X4	<b>F</b>  X1	<b>G</b> M6*13mm  X4
---	---	---	---	---	---	---

1

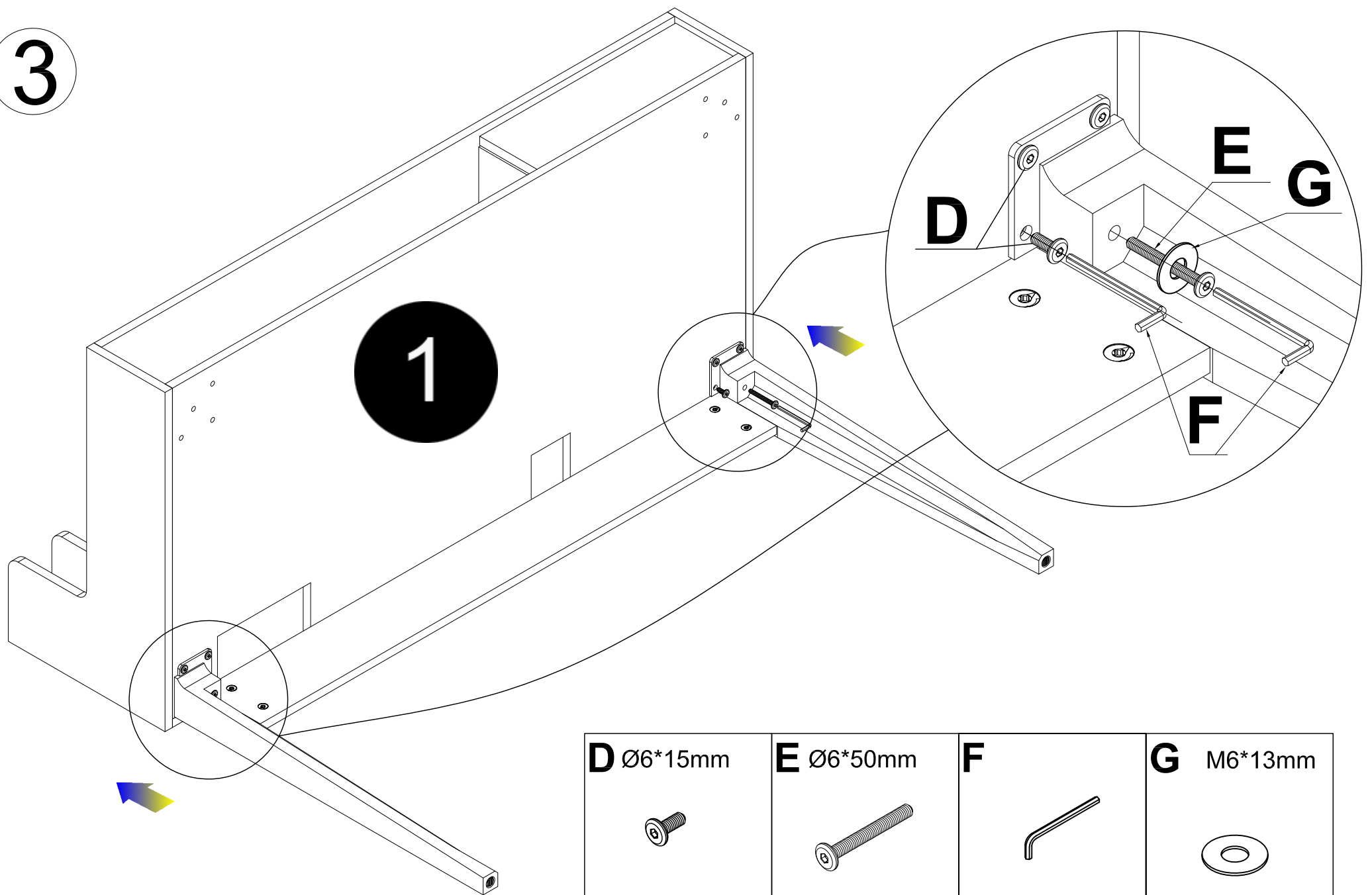



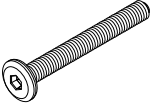
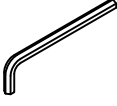

<b>B</b>  X4	<b>C</b> Ø7.7x25  X2
---	---

2

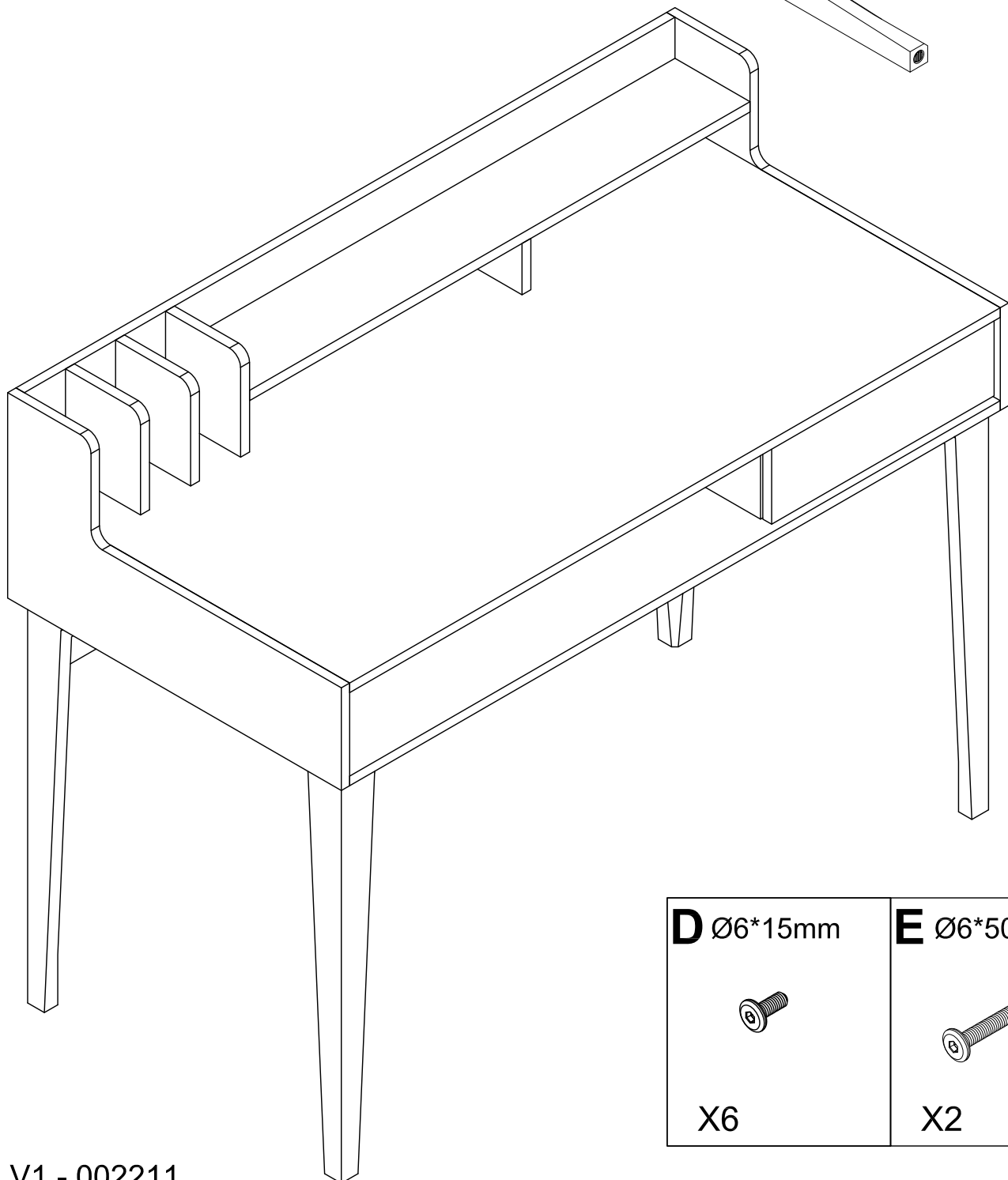
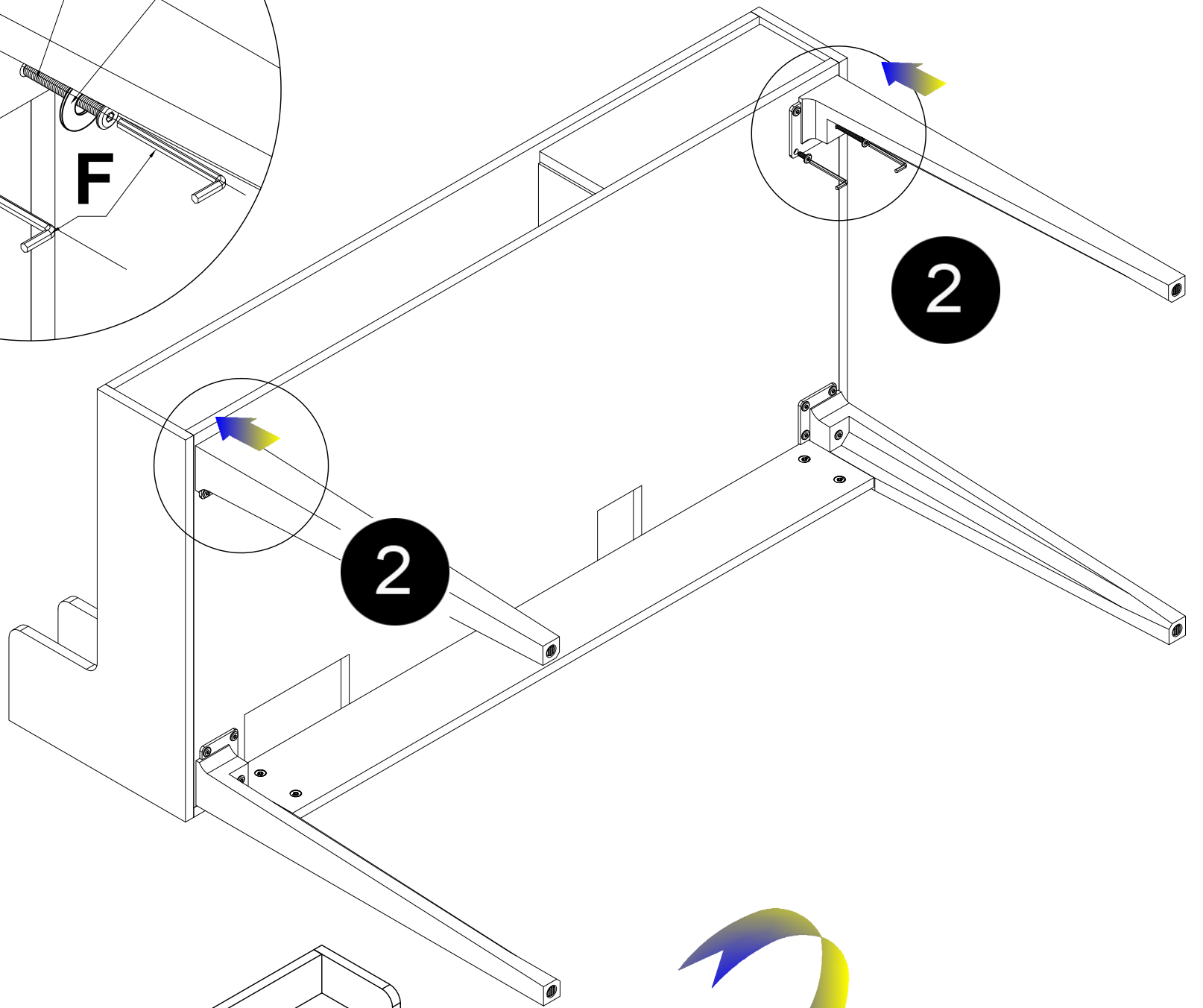
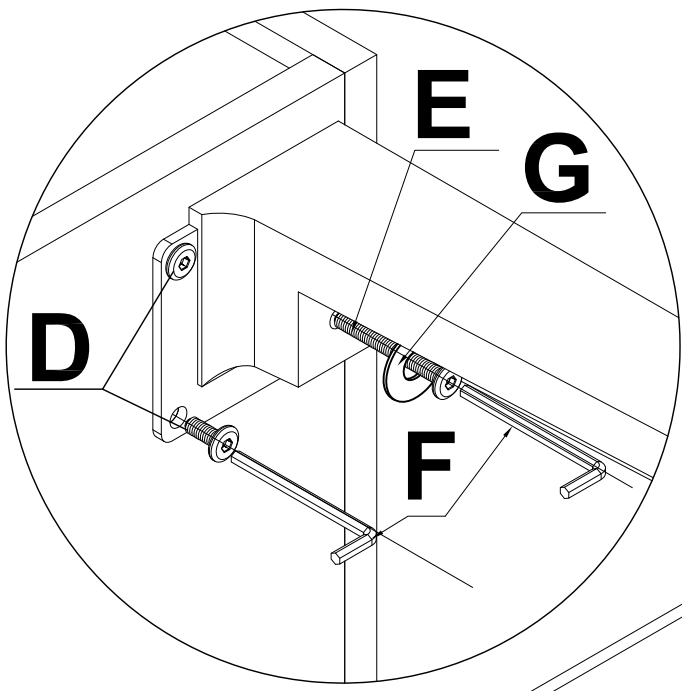



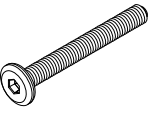
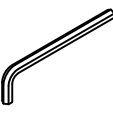

3



<b>D</b> Ø6*15mm	<b>E</b> Ø6*50mm	<b>F</b>	<b>G</b> M6*13mm
			
X6	X2	X1	X2

4



<b>D</b> Ø6*15mm  X6	<b>E</b> Ø6*50mm  X2	<b>F</b>  X1	<b>G</b> M6*13mm  X2
---	---	---	---