
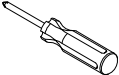
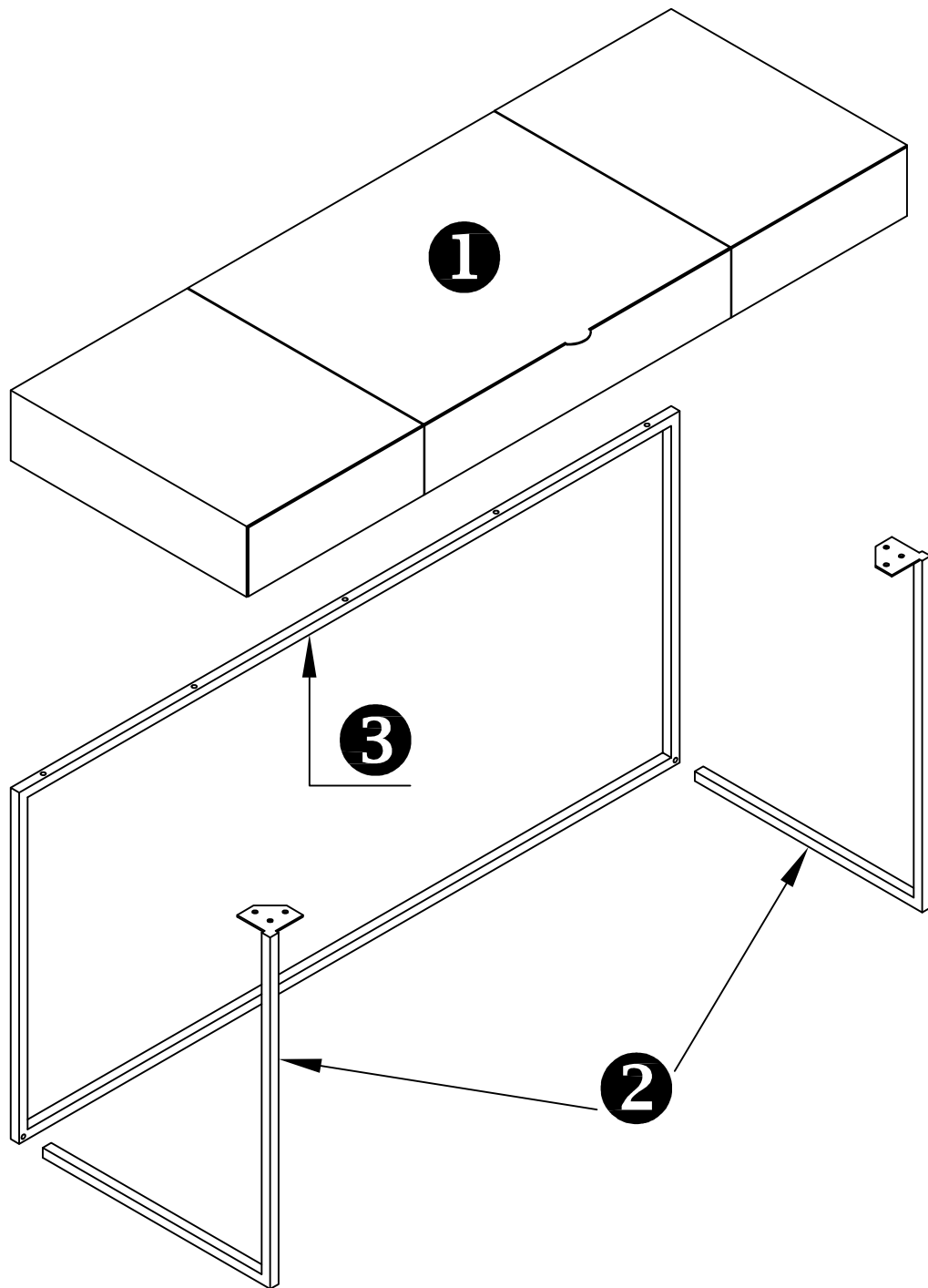



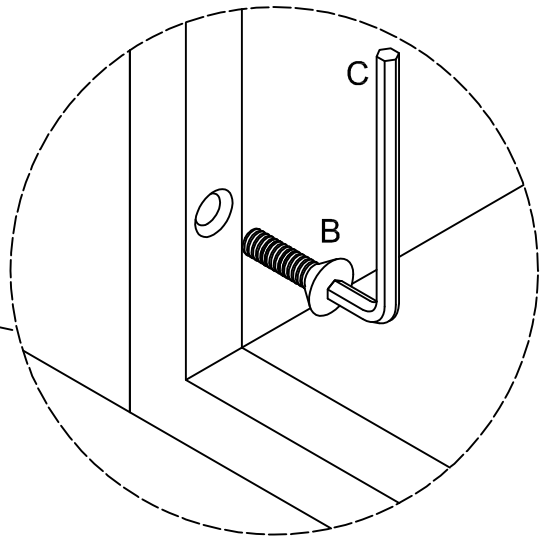
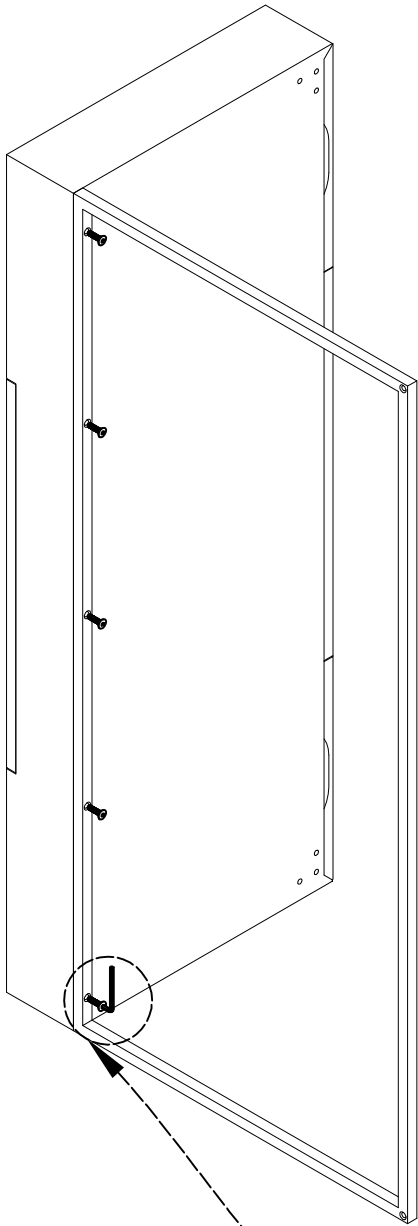


 15 MIN		
--	---	---



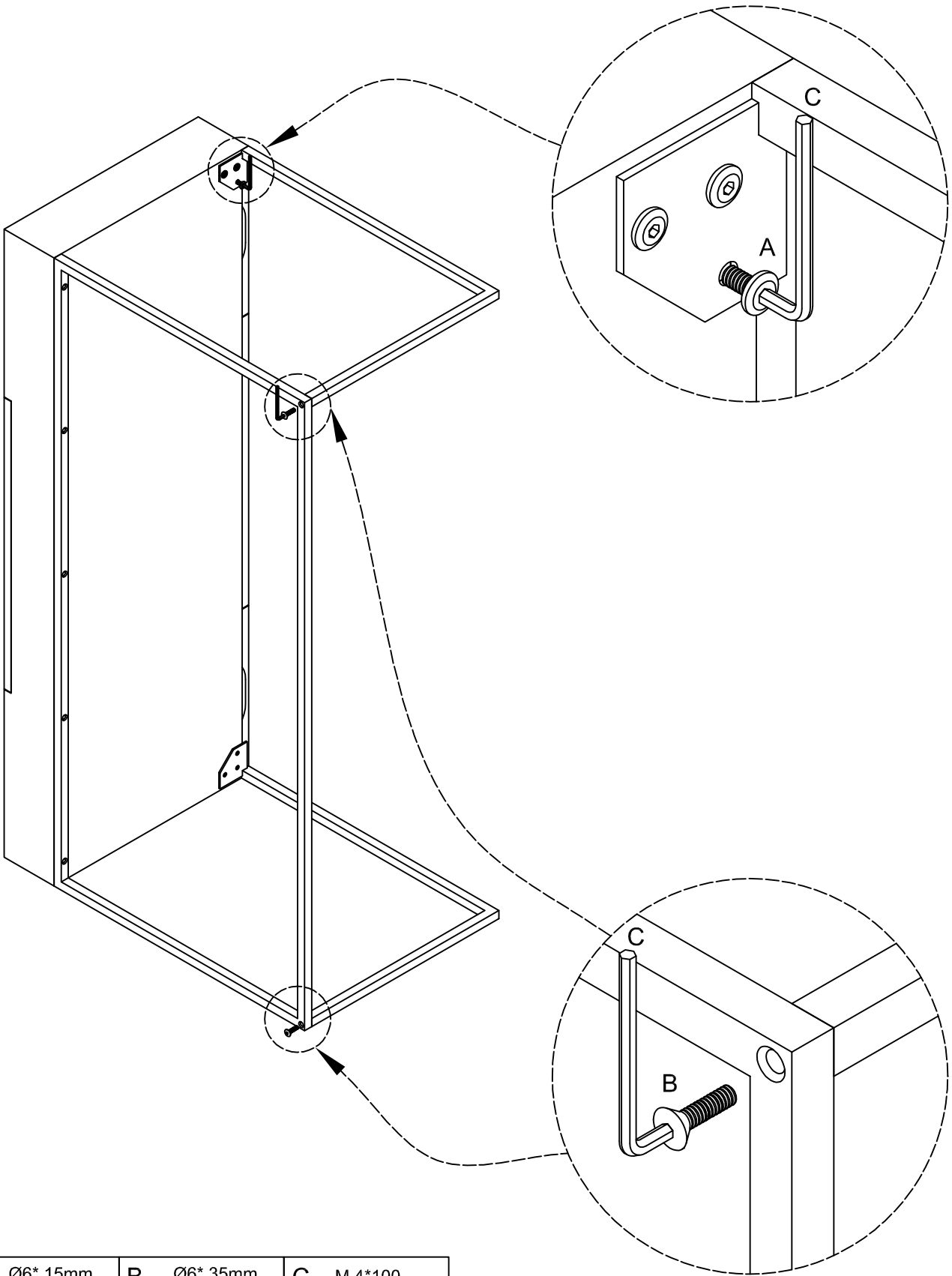
<p><b>A</b> Ø6* 15mm</p>  <p>X 6</p>	<p><b>B</b> Ø6* 35mm</p>  <p>X 7</p>	<p><b>C</b> M 4*100</p>  <p>X 1</p>
---	---	--




1



<b>B</b> Ø6* 35mm  X 5	<b>C</b> M 4*100  X 1
---	--

2



A	B	C
Ø6* 15mm	Ø6* 35mm	M 4*100
		
X 6	X 2	X 1