
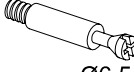
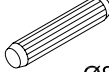









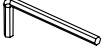
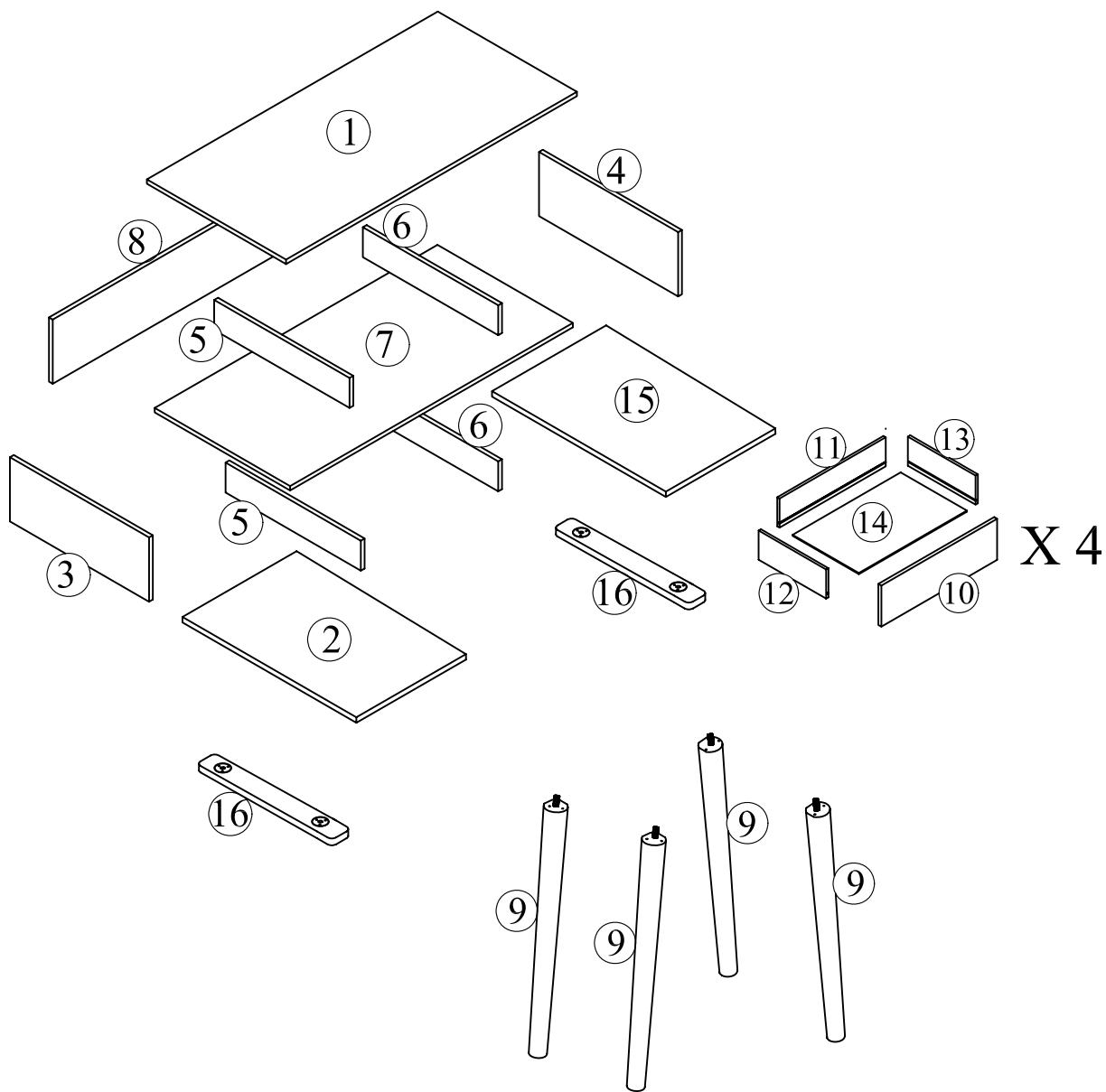
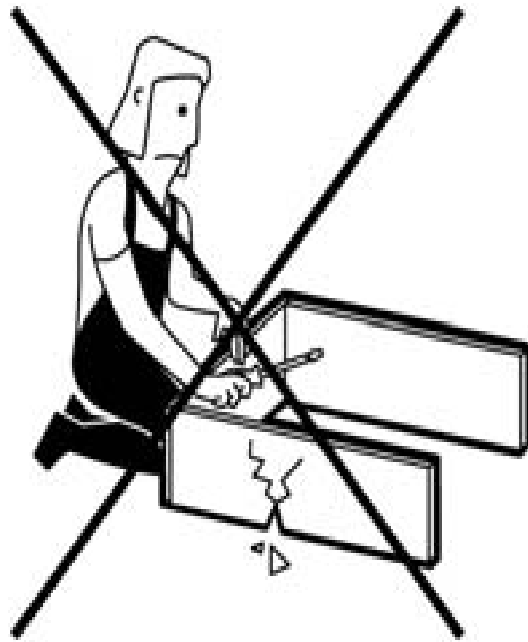
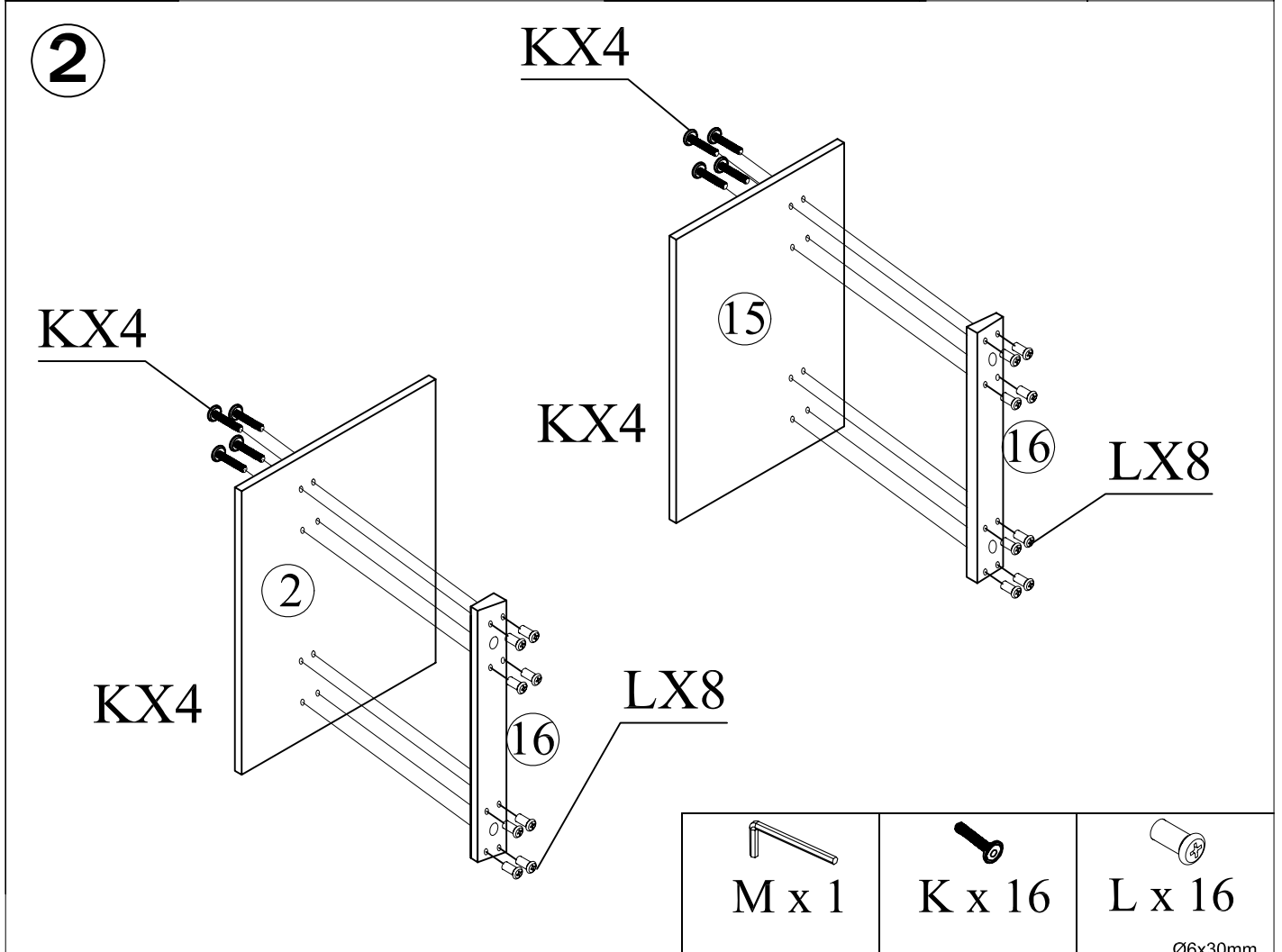
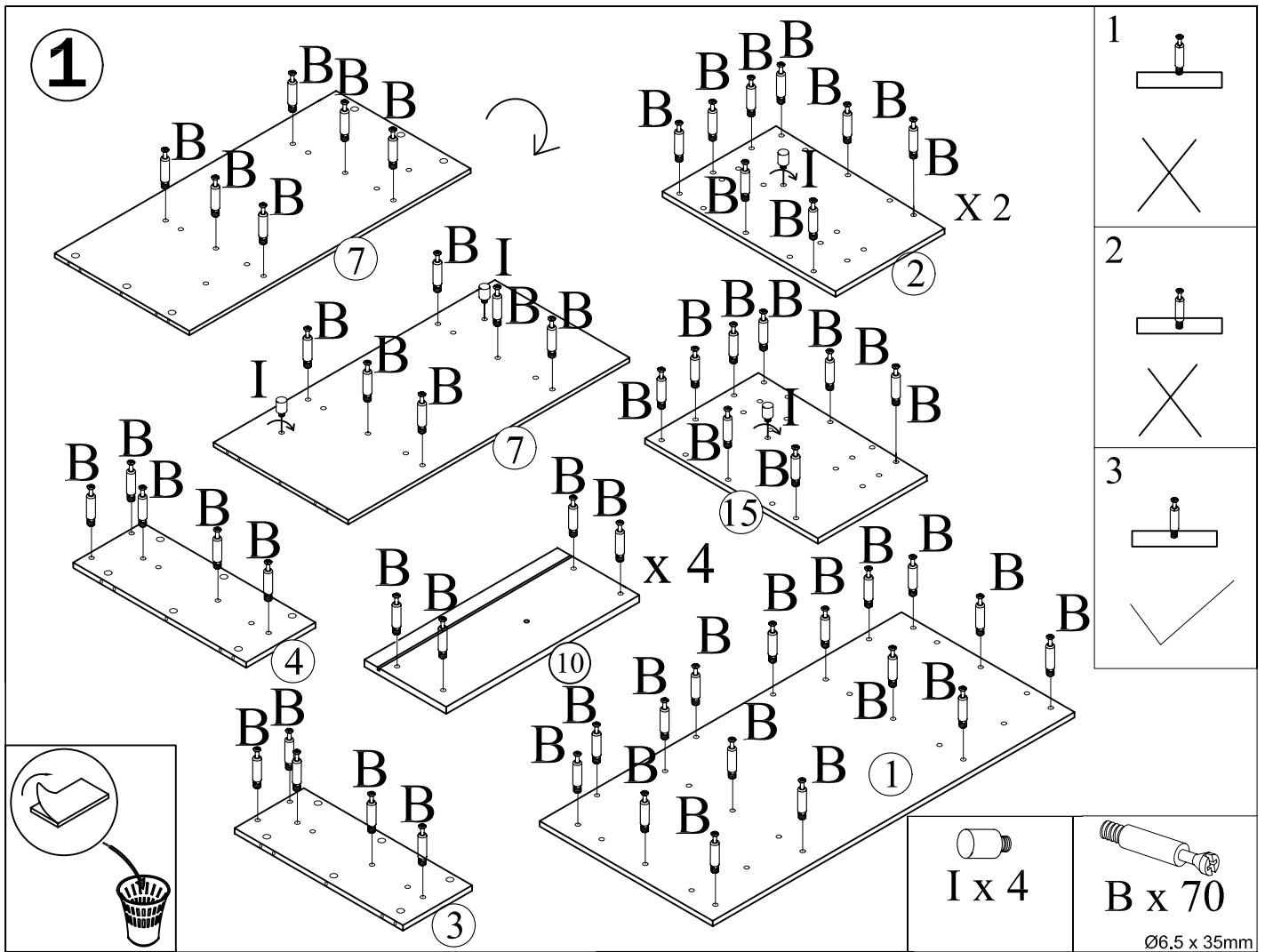


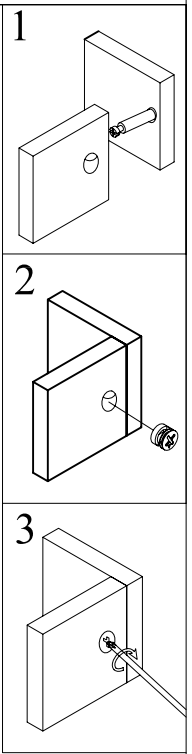
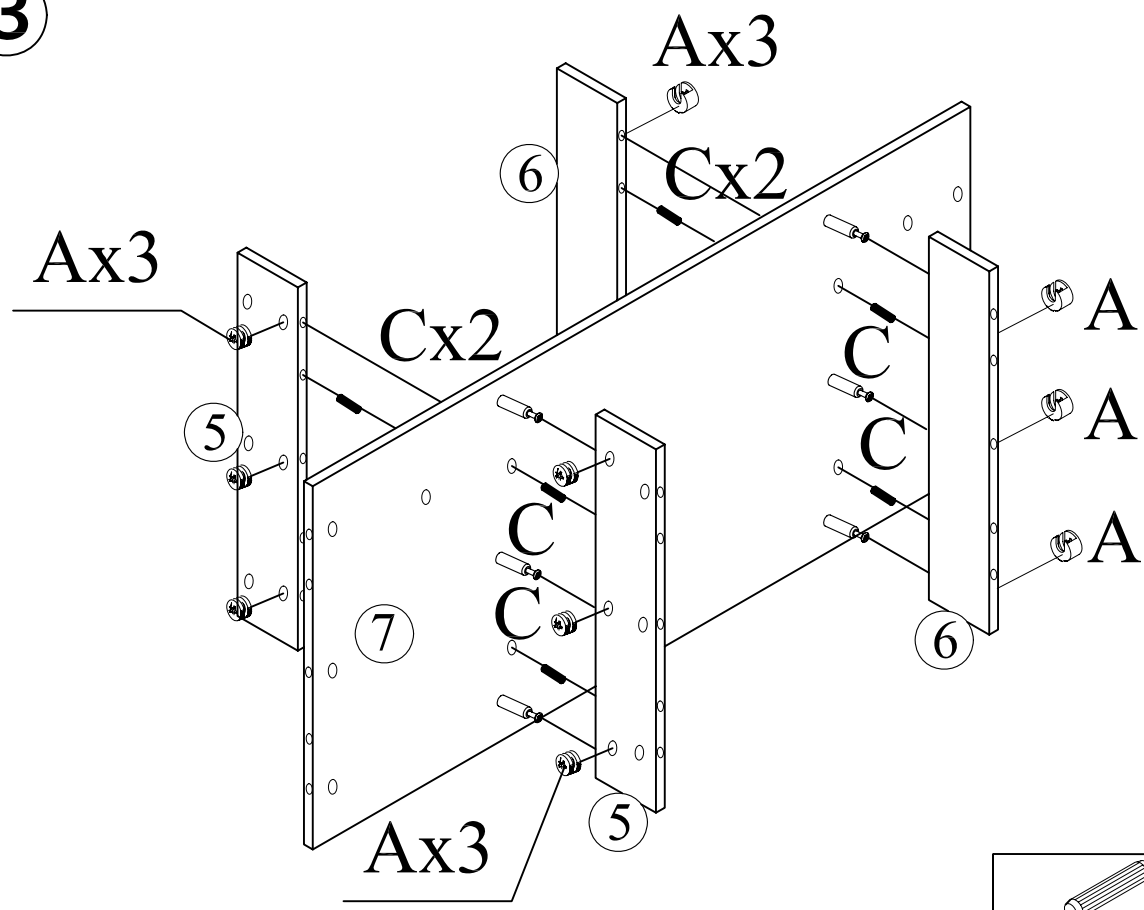
| | | | | | | | | | |
|---|-----|---|-----|---|-----|---|-----|---|------|
| A | x54 | B | x70 | C | x28 | D | x4 | E | x 16 |
|  | |  | |  | |  | |  | |
| Ø15 x12mm | | Ø6.5 x 35mm | | Ø8 x 30mm | | | | Ø3.5x 30mm | |
| F | x4 | G | x4 | H | x16 | I | x 8 | J | x 8 |
|  | |  | |  | |  | |  | |
| | | Ø4 x 20mm | | Ø15 x9mm | | Ø8mm | | | |
| K | x16 | L | x16 | M | x1 | | | | |
|  | |  | |  | | | | | |
| Ø6 x30mm | | Ø8 x15mm | | Ø4mm | | | | | |







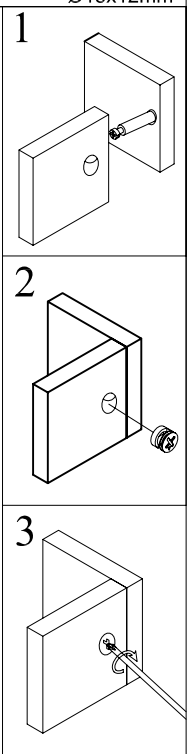
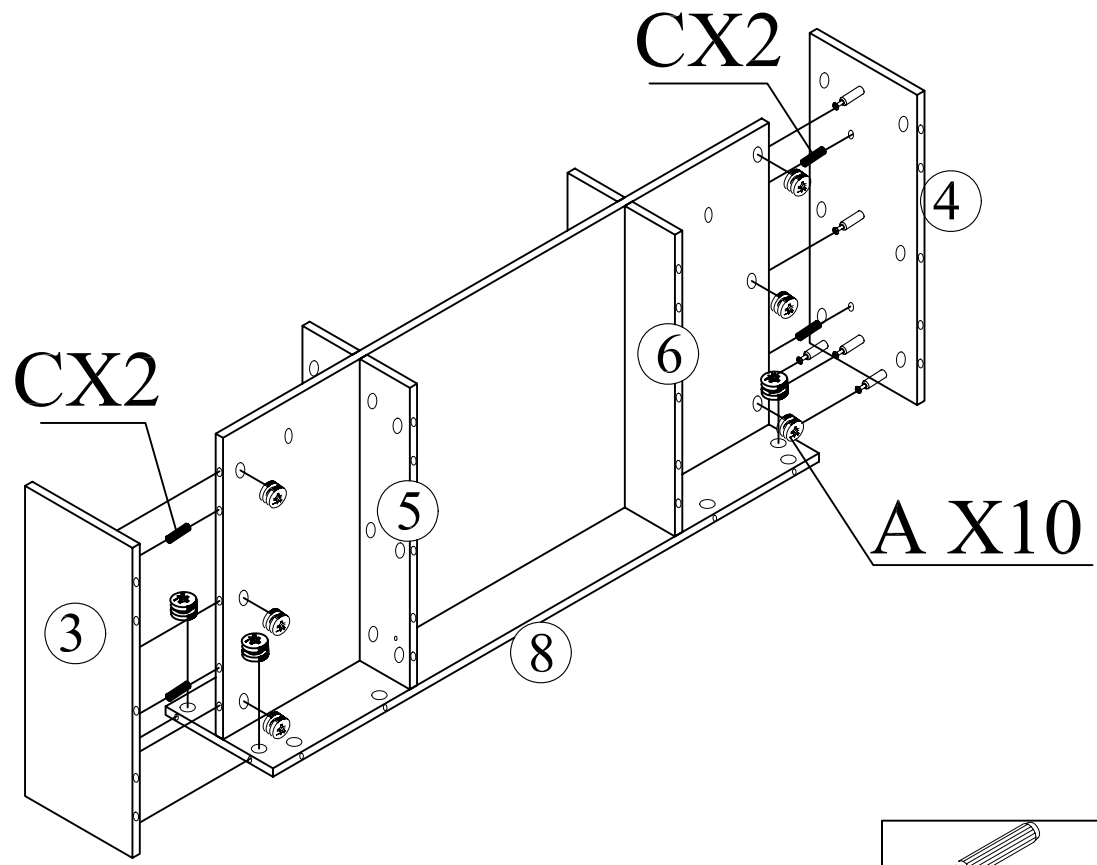




3



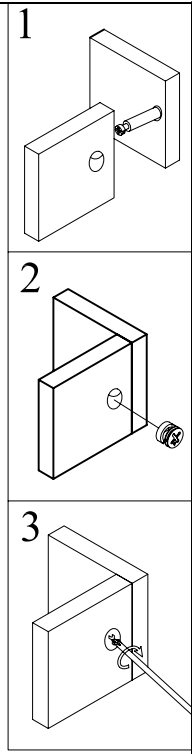
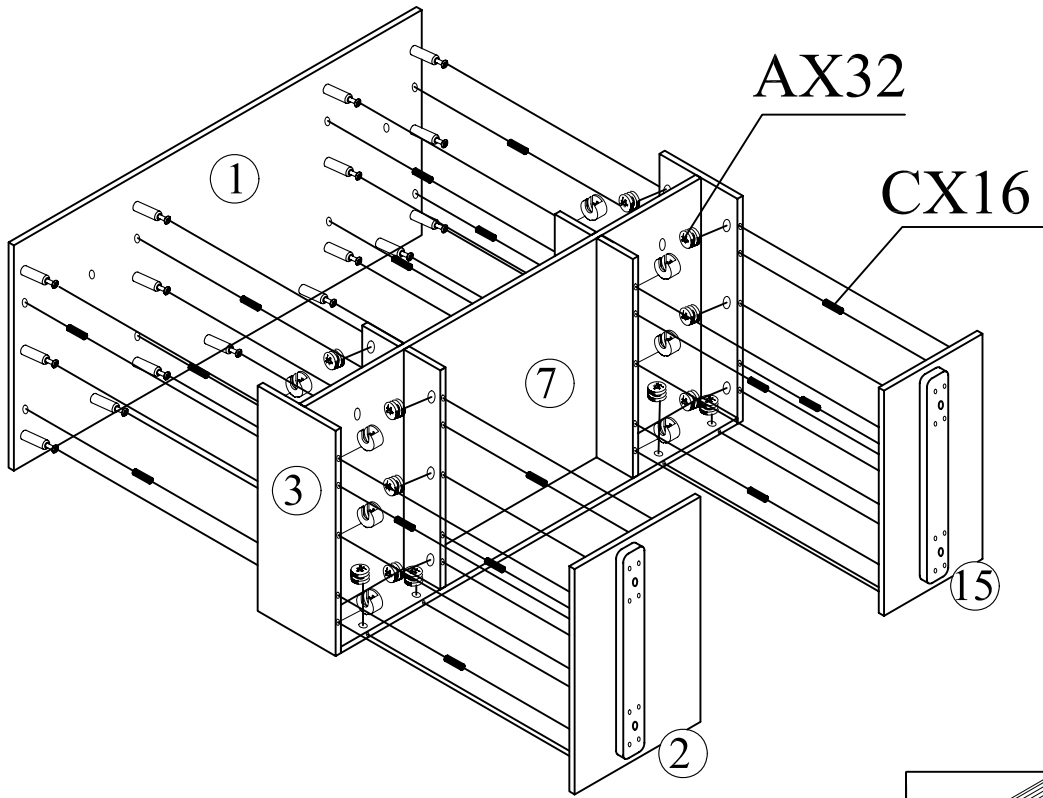
| | |
|---|---|
|  |  |
| C x 8 | A x 12 |
| Ø8 x 30mm | Ø15x12mm |

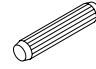

4



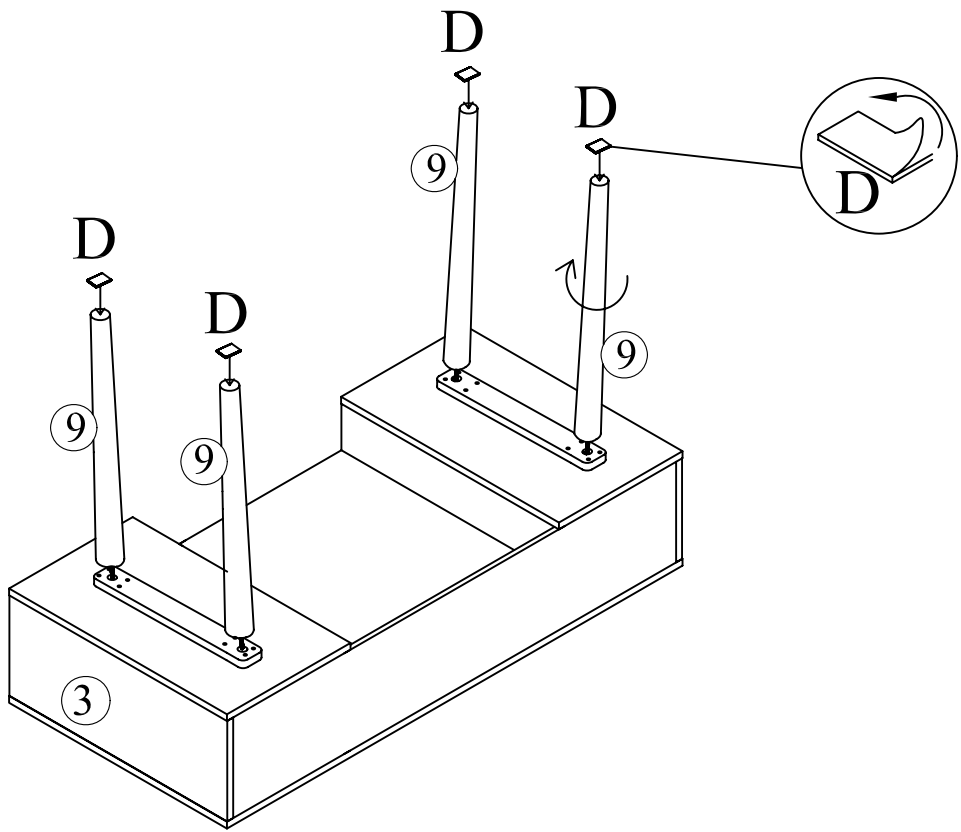
| | |
|---|---|
|  |  |
| C x 4 | A x 10 |
| Ø8 x 30mm | Ø15x12mm |


5



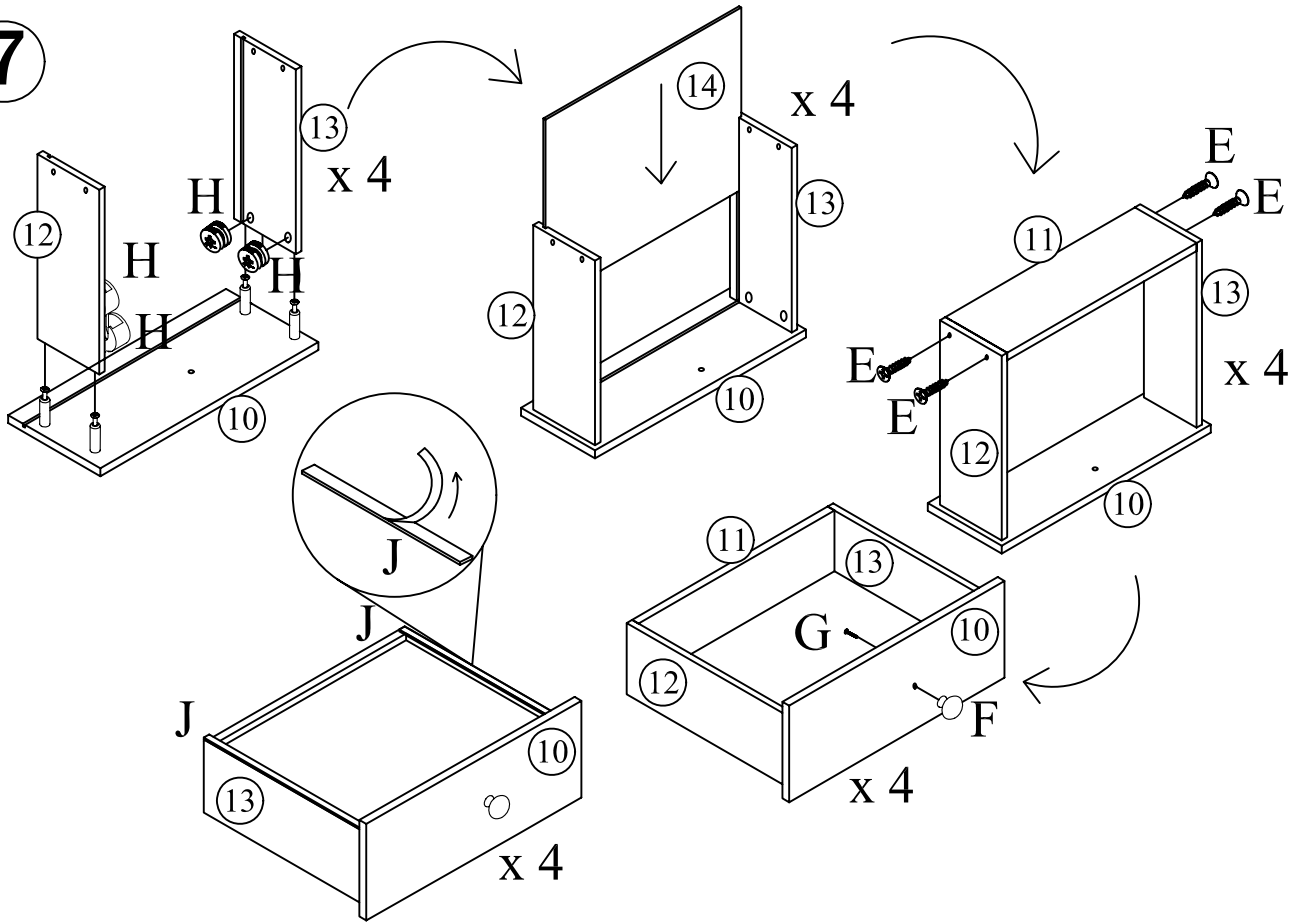
| | |
|--|---|
|  C x 16 Ø8 x 30mm |  A x 32 Ø15x12mm |
|--|---|


6



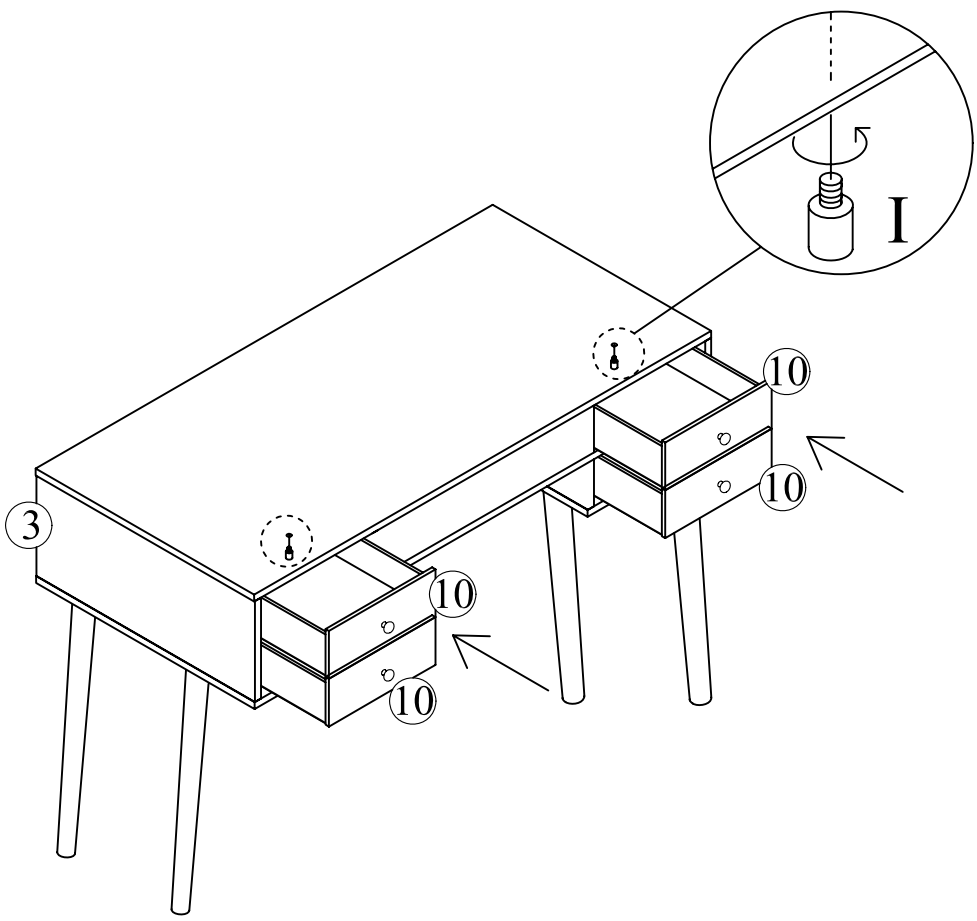
| |
|---|
|  D x 4 |
|---|

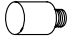
7



| | | | | |
|--|--|--|--|--|
|  |  |  |  |  |
| J x 8 | F x 4 | E x 16 Ø3,5x30mm | H x 16 Ø15x9mm | G x 4 Ø4x20mm |

8



| |
|---|
|  |
| I x 4 |