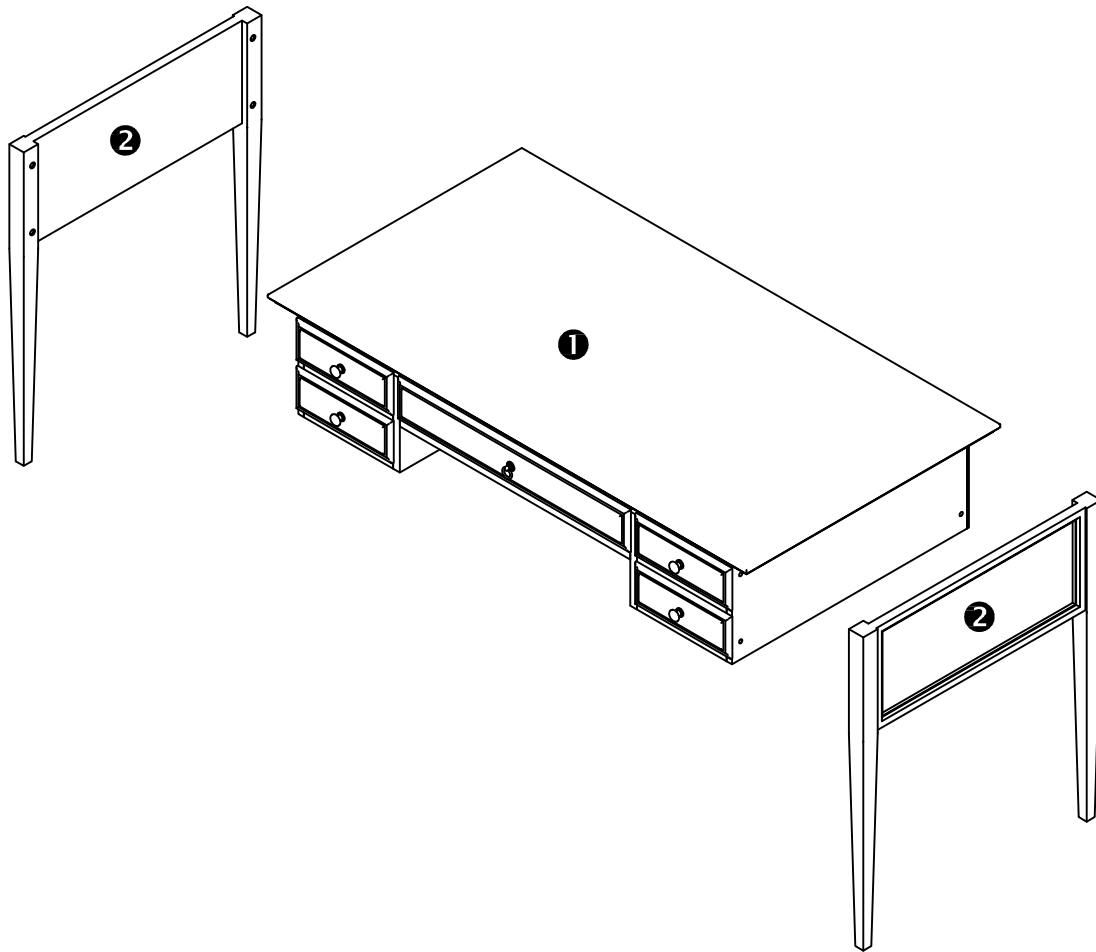




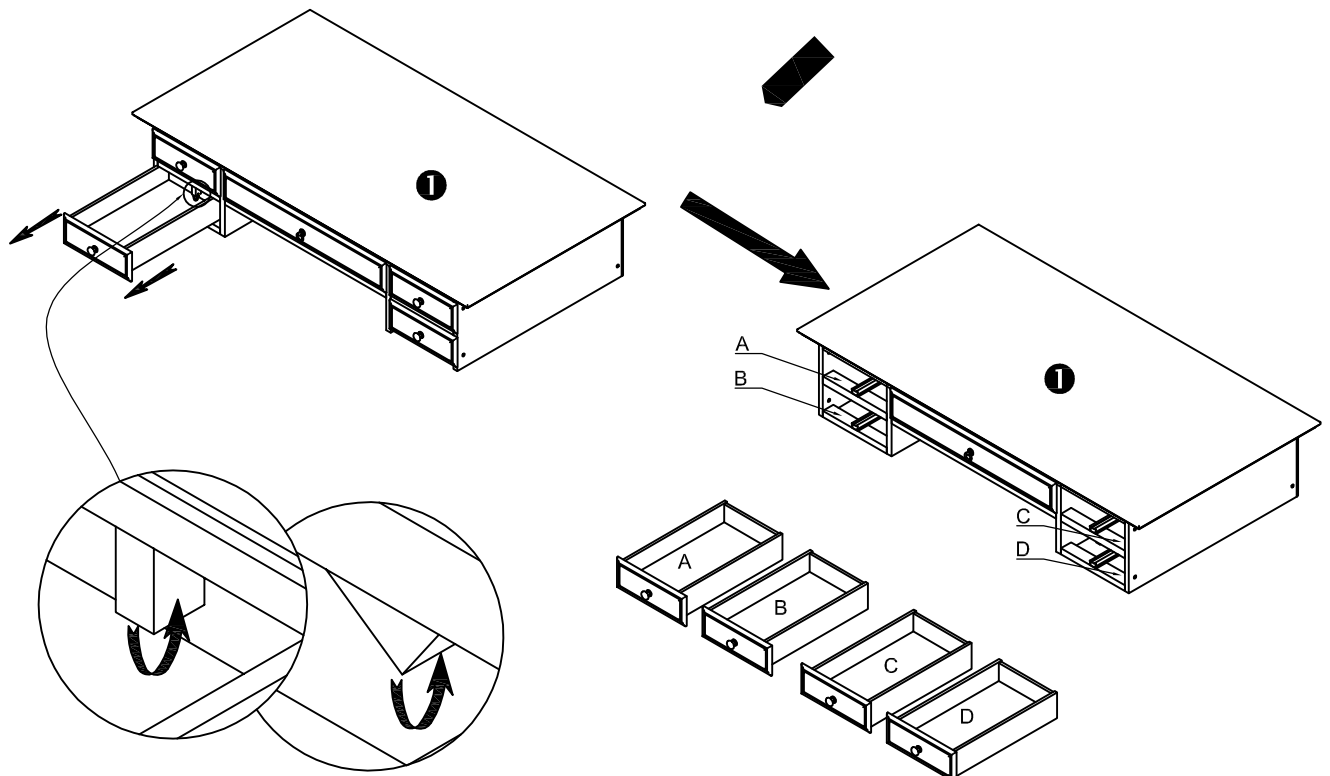
 20 MIN	
--	---



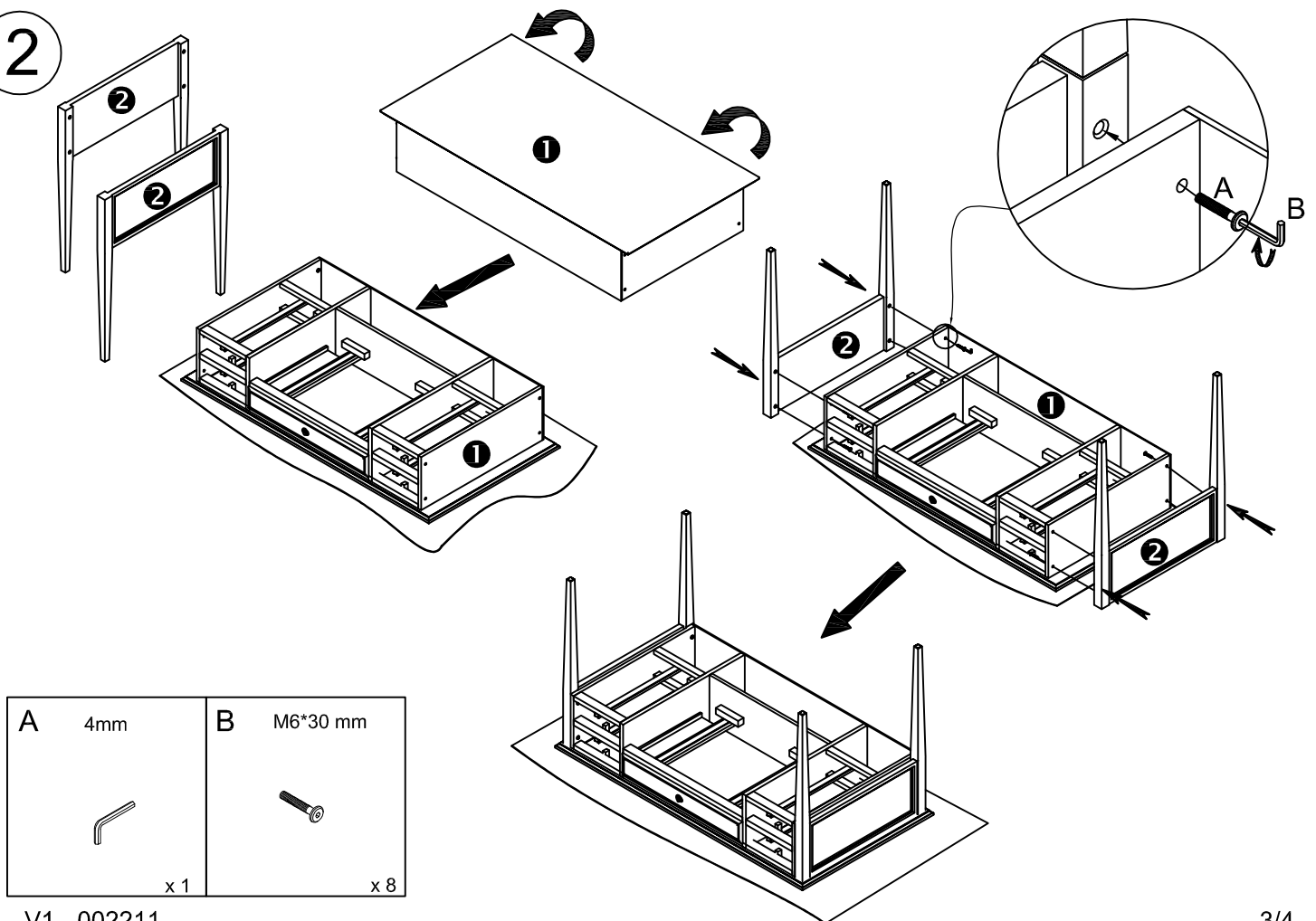
A 4mm  x 1	B M6*30 mm  x 8
--	---

V1 - 002211

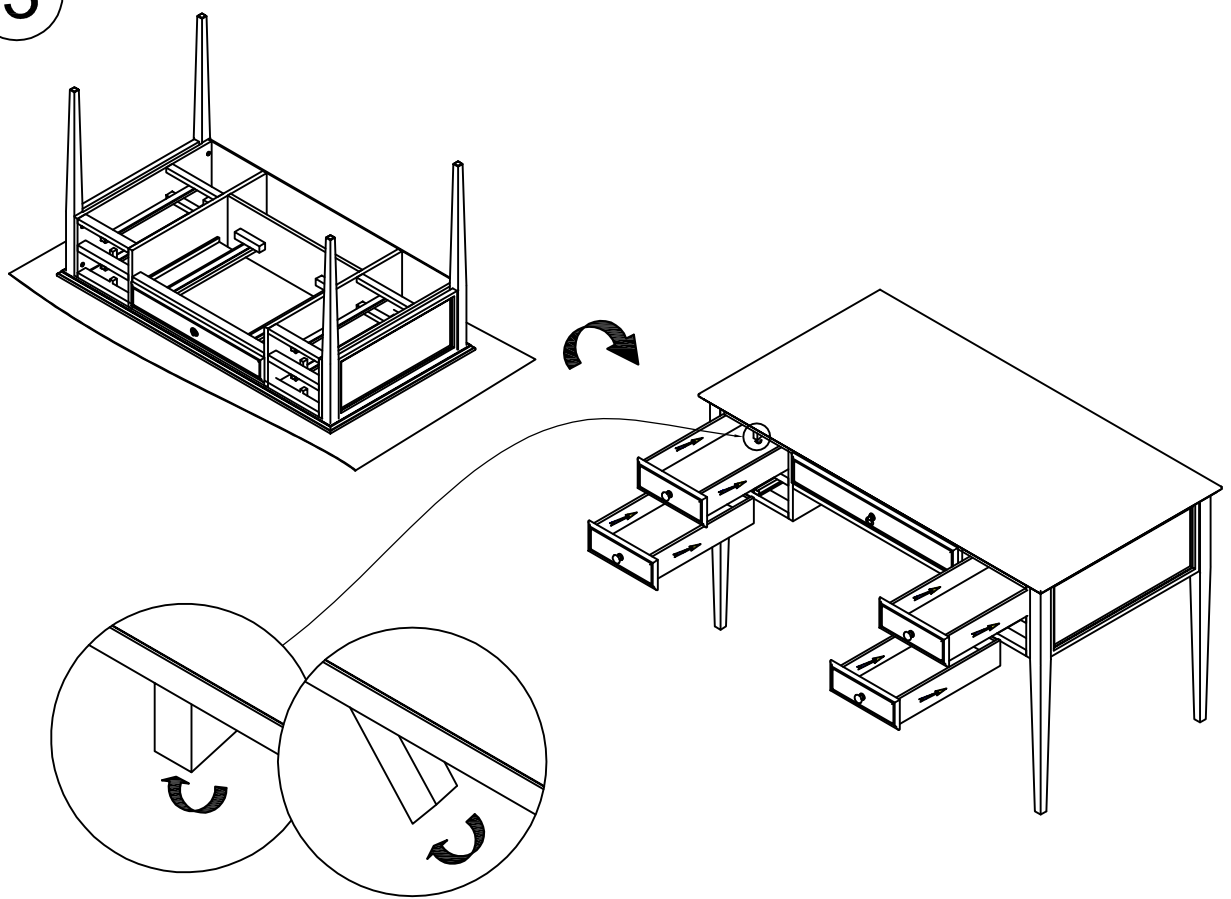
1



2



3



4

