
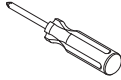
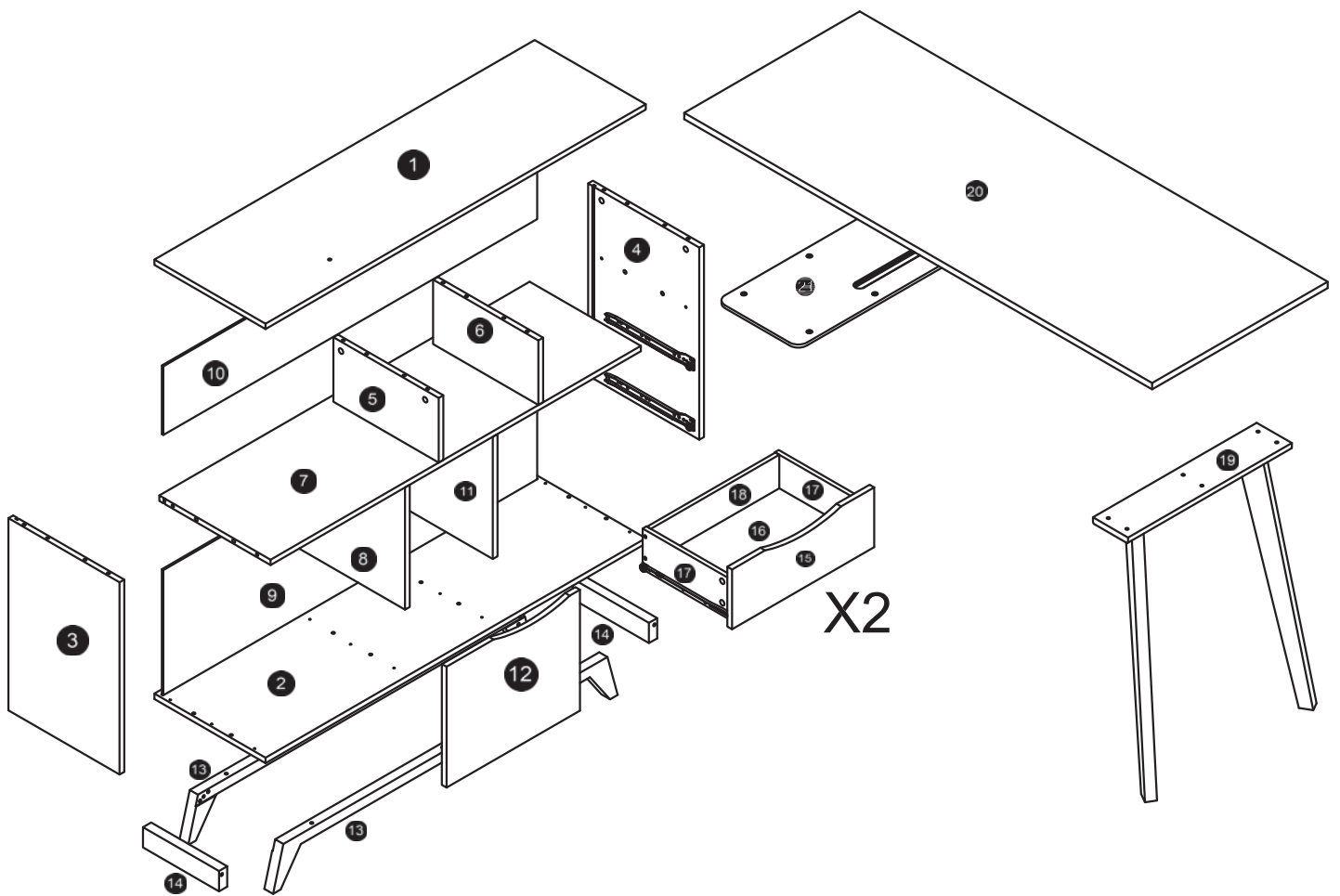

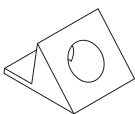
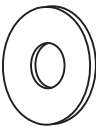













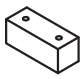



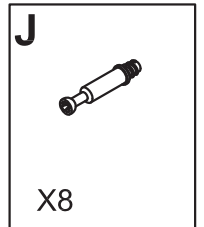
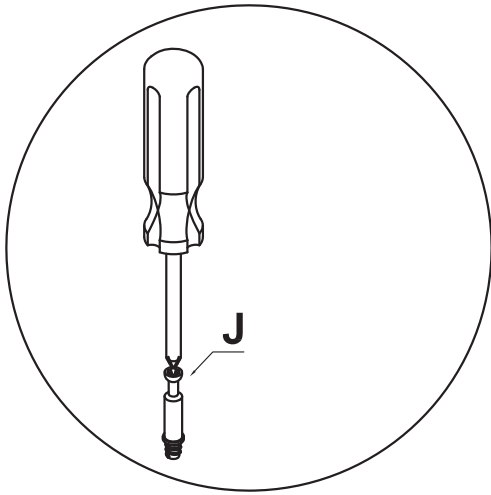
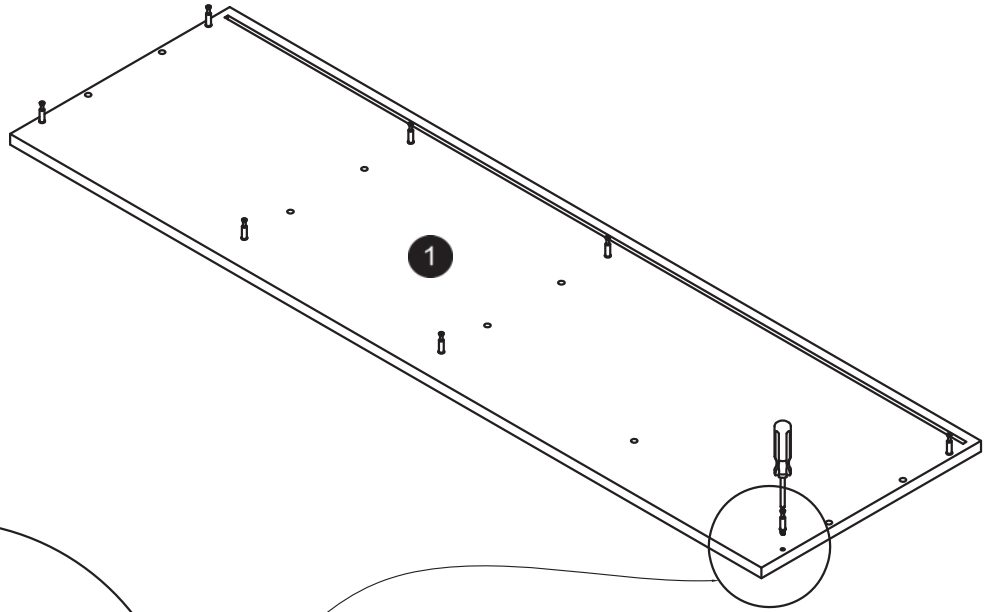
 40 MIN		
--	---	---

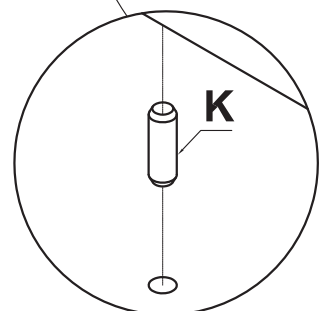
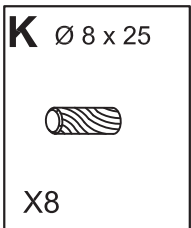
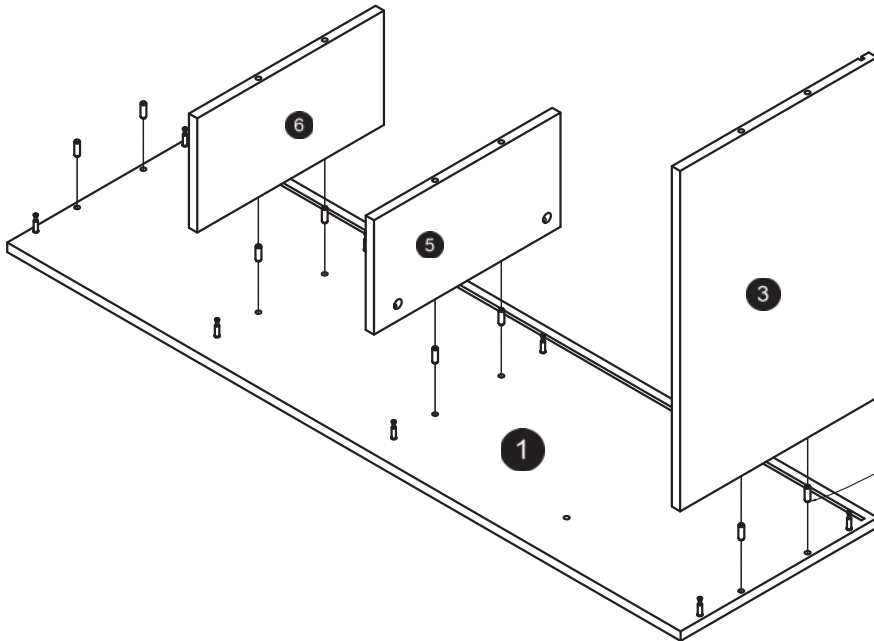


Q Ø6*30mm  X6	R  X16	S Ø 9 x30mm  X1	T M3.5 * 30mm  X2	I  X24	J  X24	K Ø 8 x 25  X28	L M3.5 * 25mm  X8	M M3.5 * 35mm  X18	N M 4  X1	O M6x40  X4	P Ø6*15mm  X6
A  X2	B  X1	C  X1	D  X1	E 50*20*20mm  X1	F Ø6*40mm  X6	G Ø 8 x 30  X4	H M3 * 15mm  X30				

1

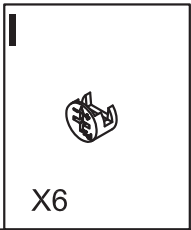
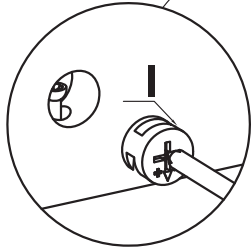
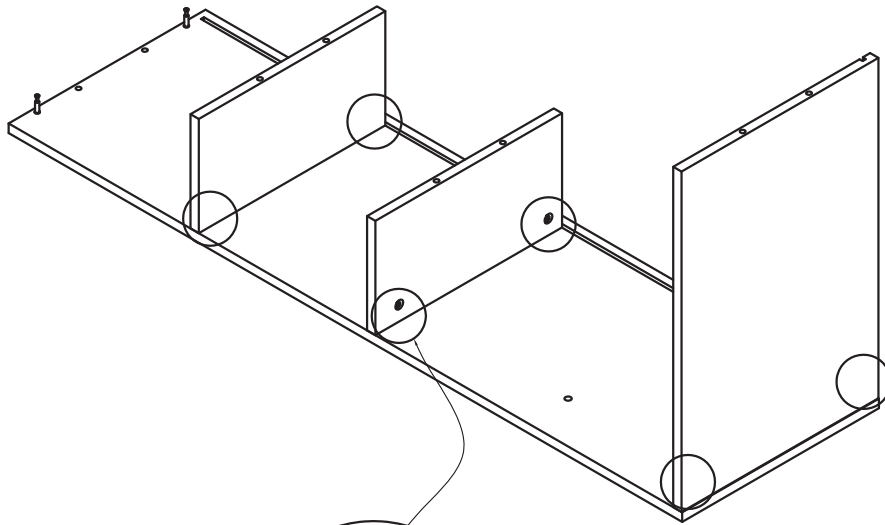


2

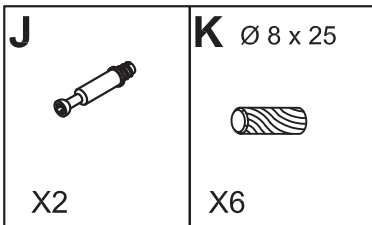
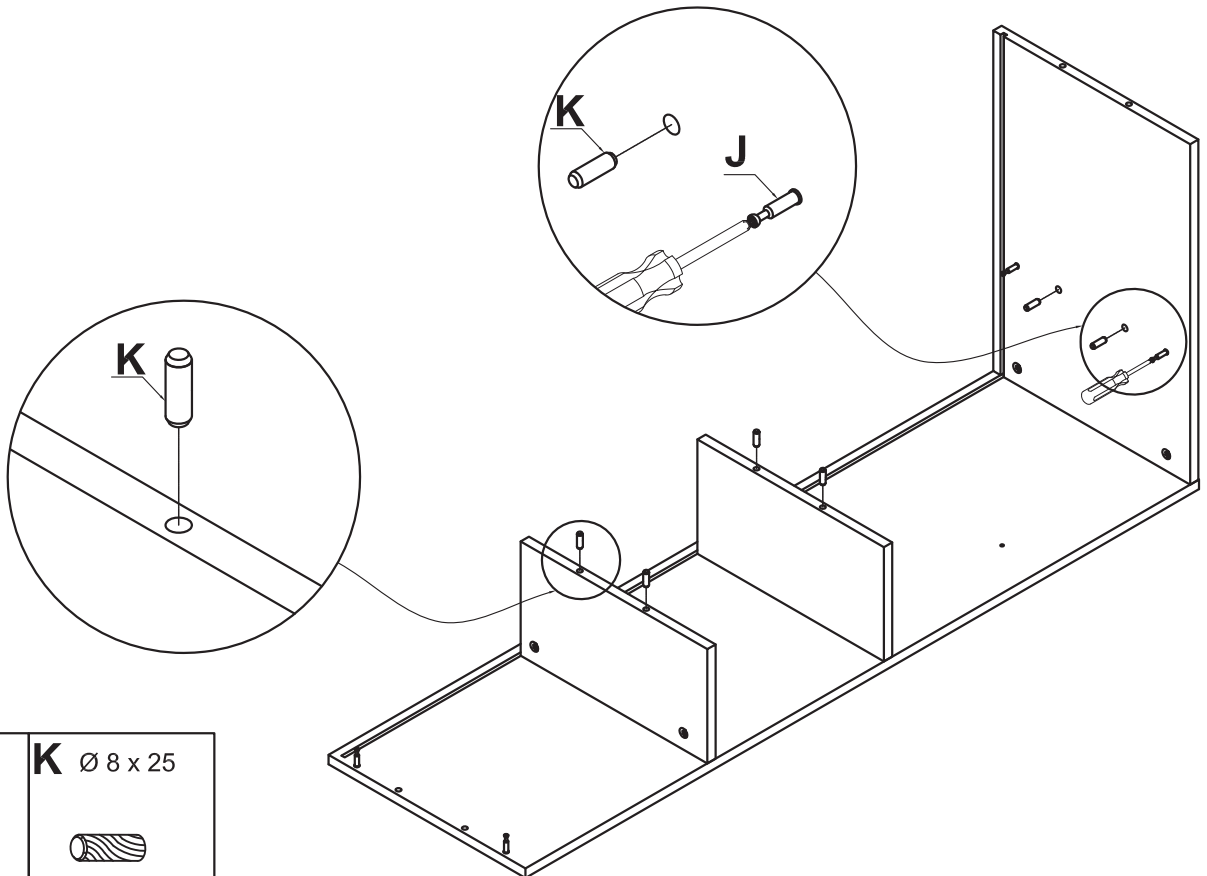


V1 - 002211

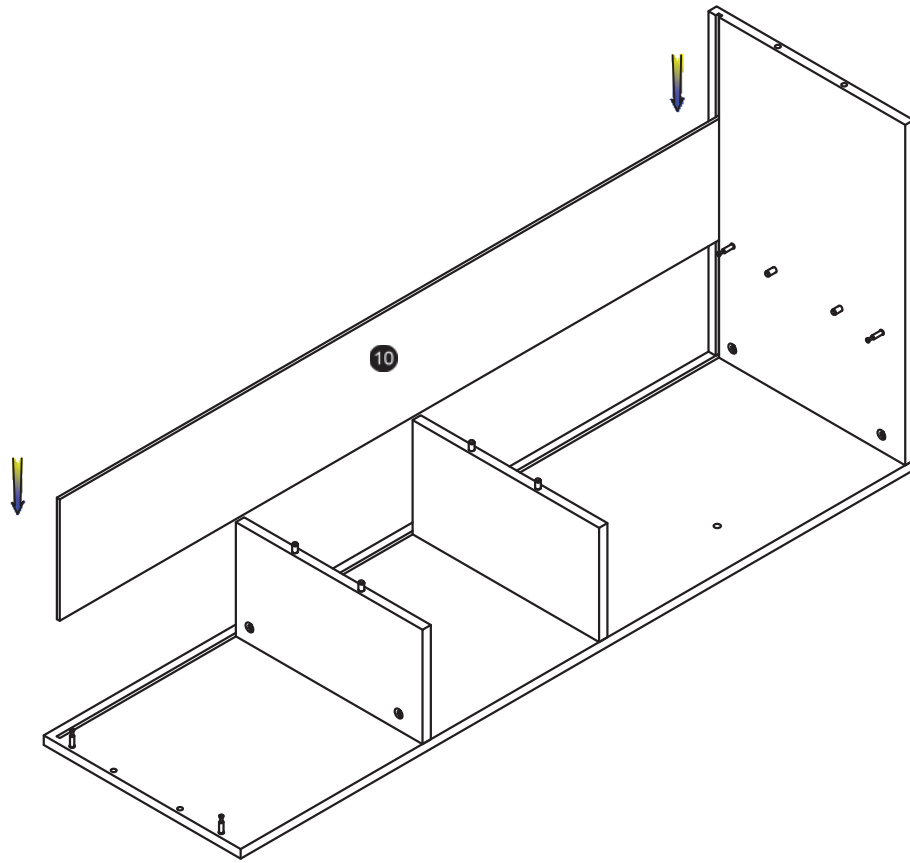
3



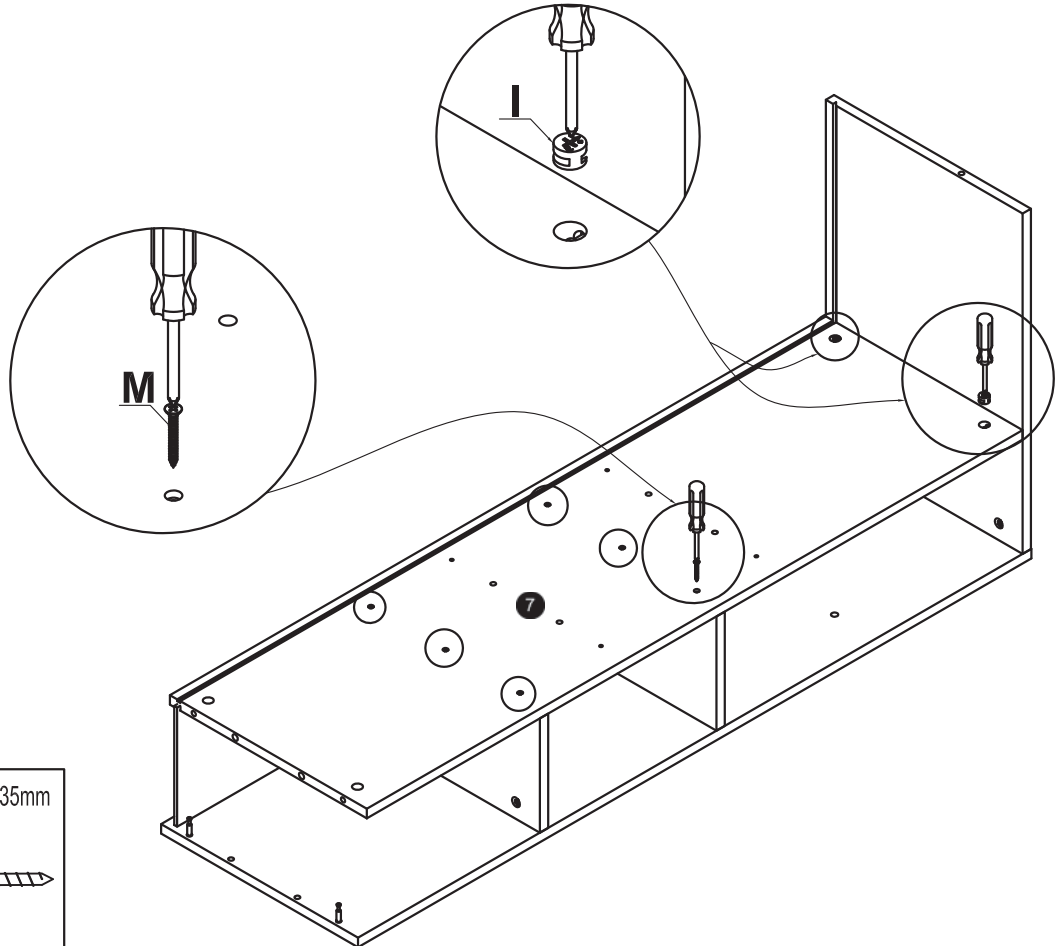
4





5

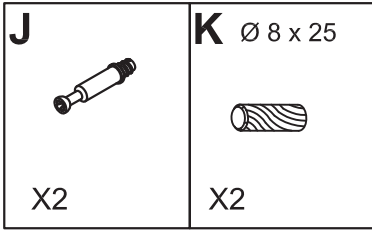
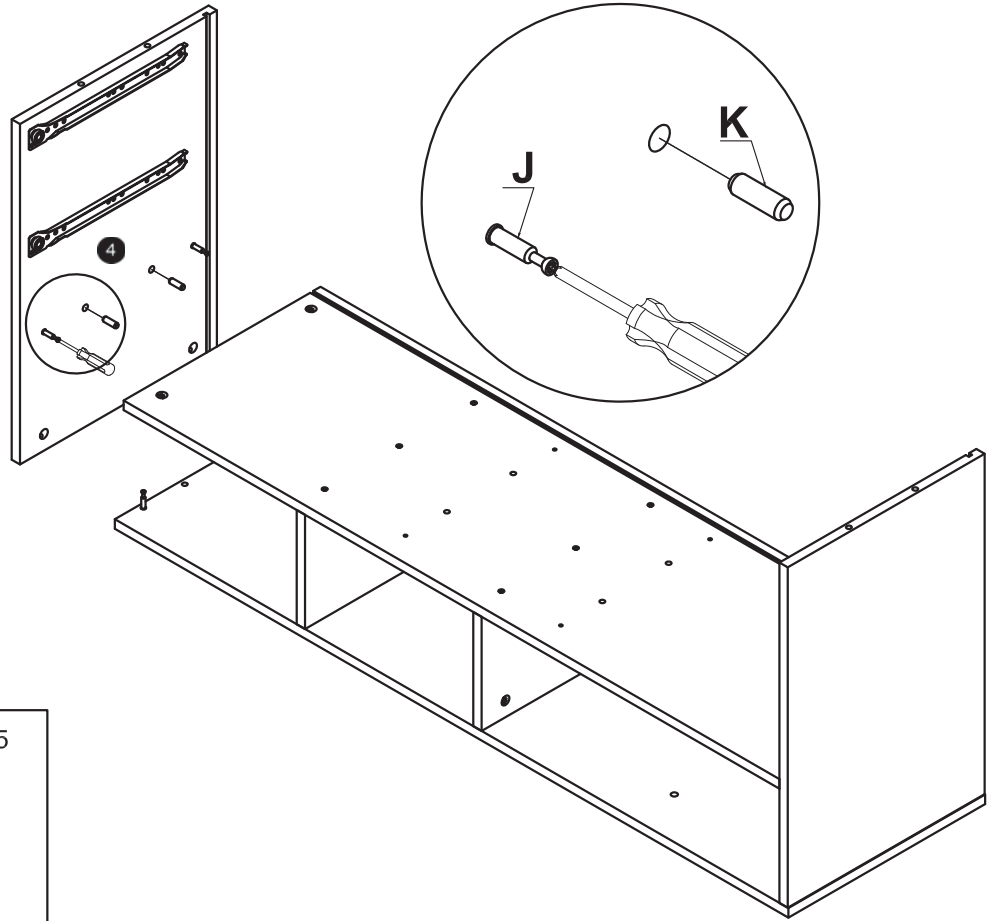


6

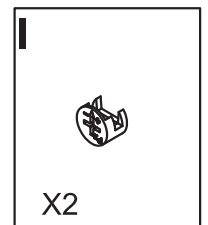
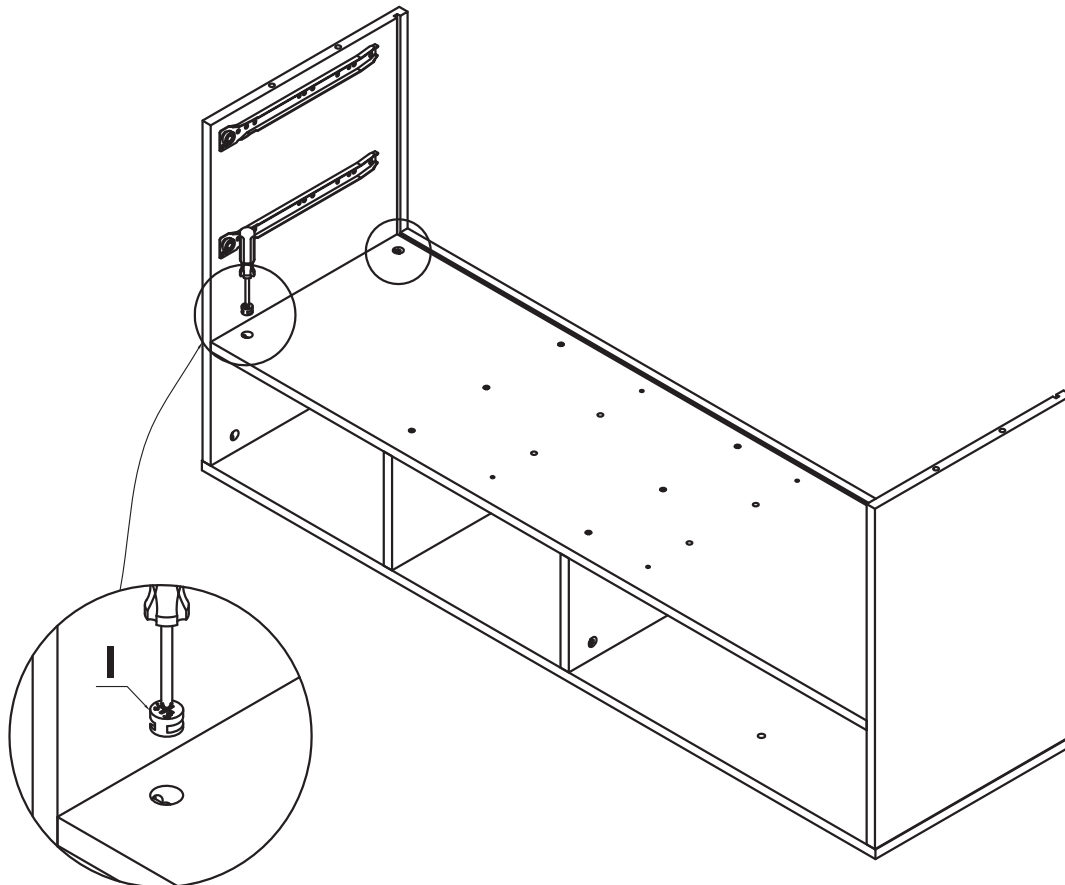


I  X2	M M3.5 * 35mm  X6
---	---

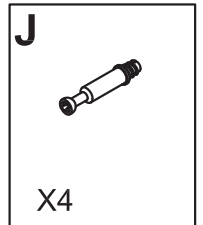
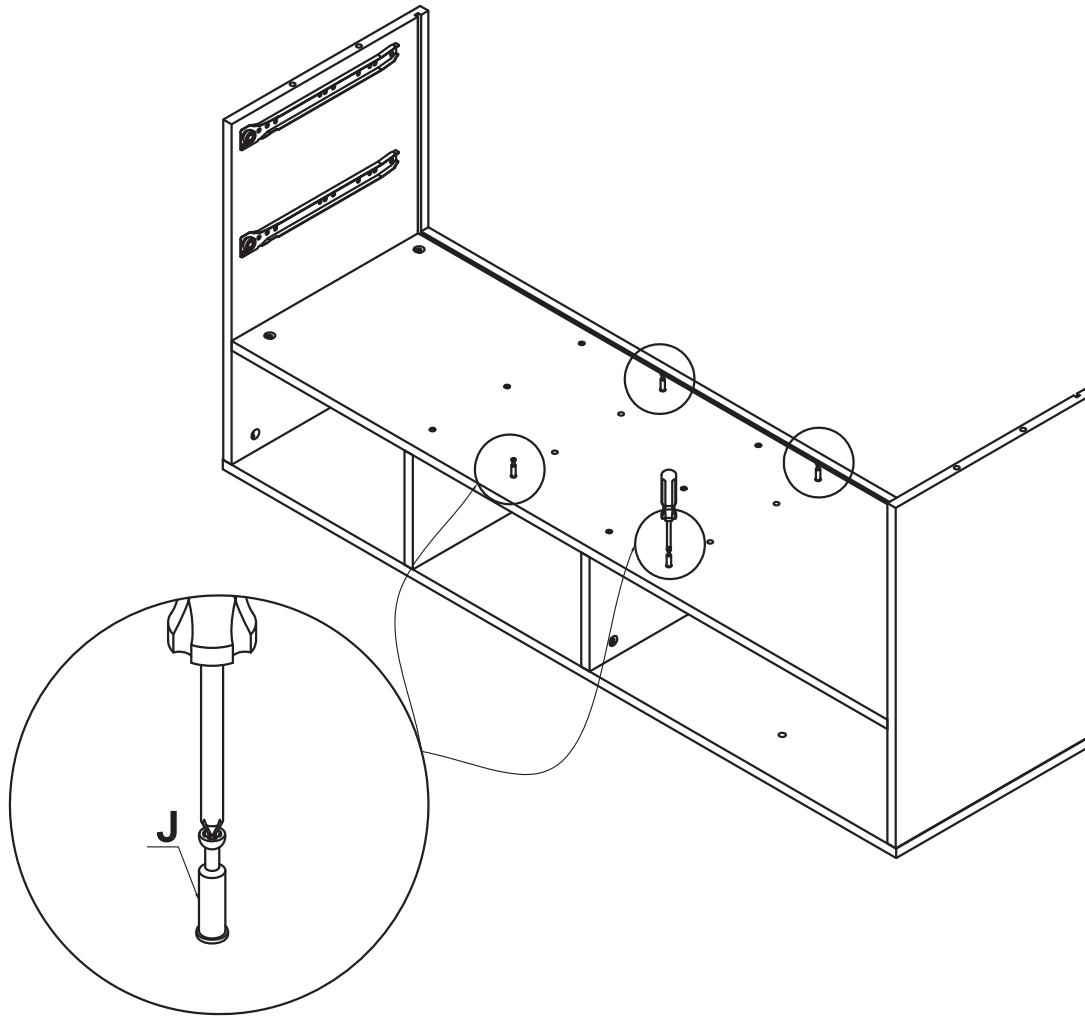
7



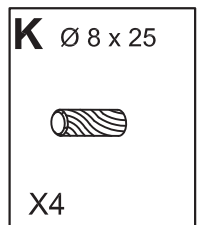
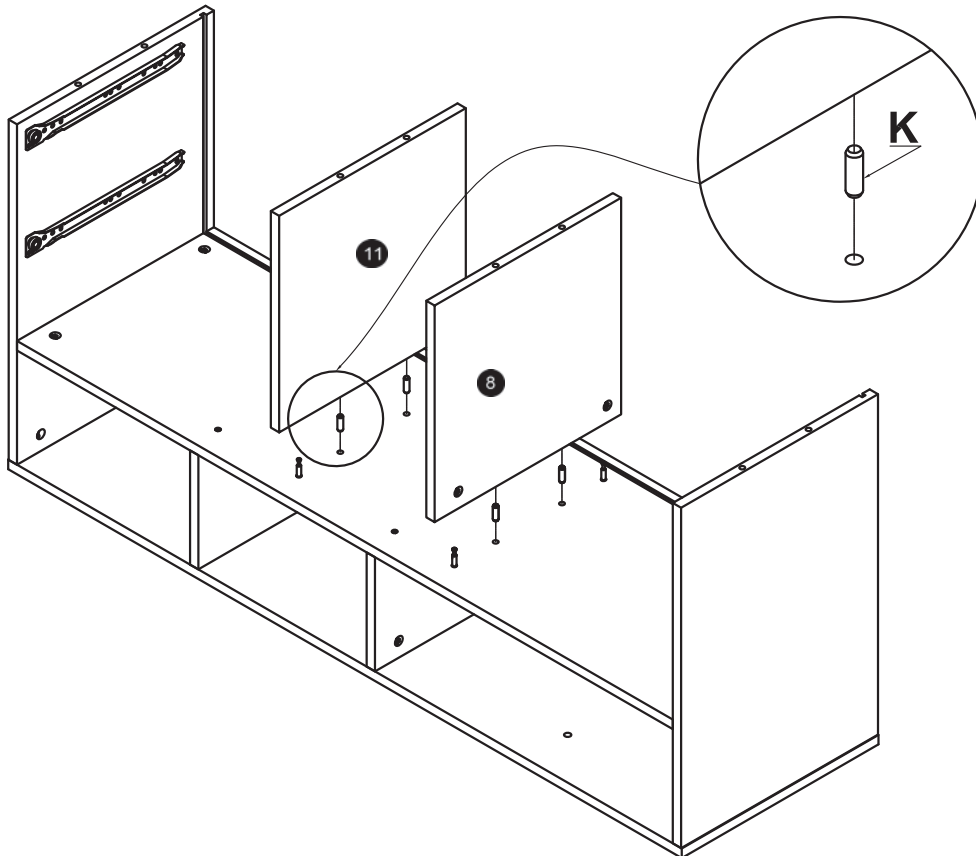
8



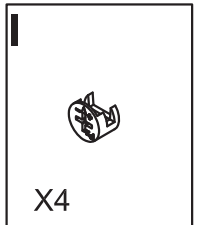
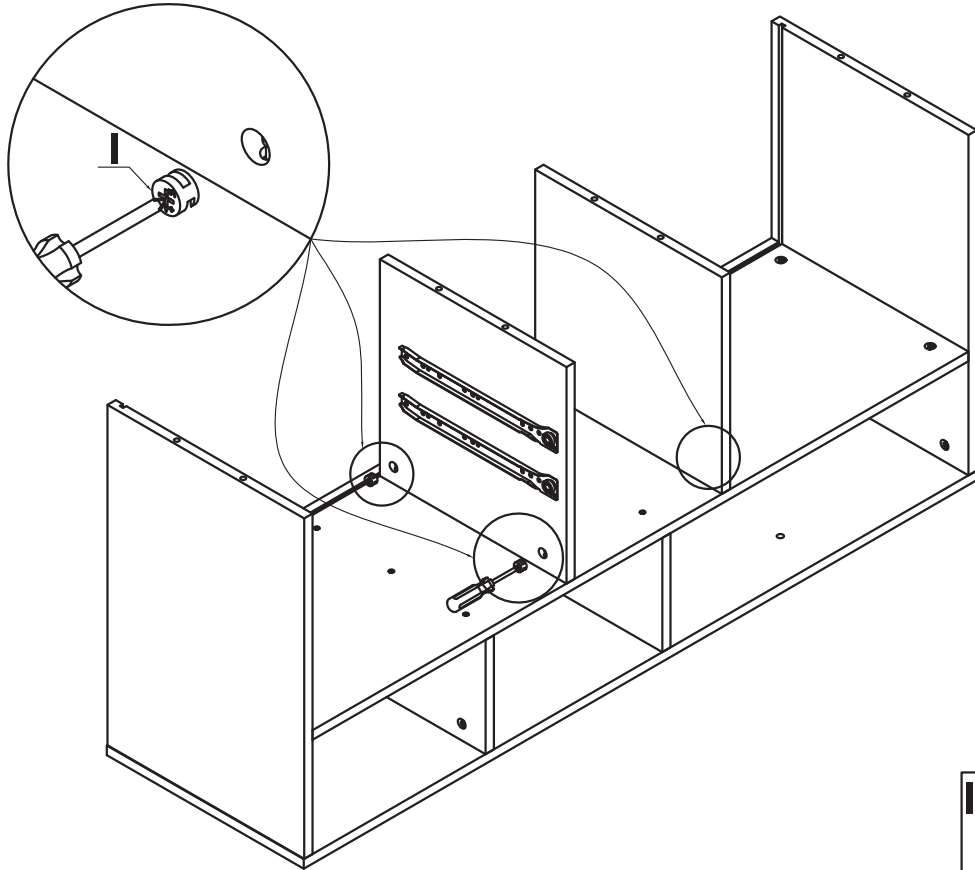
9



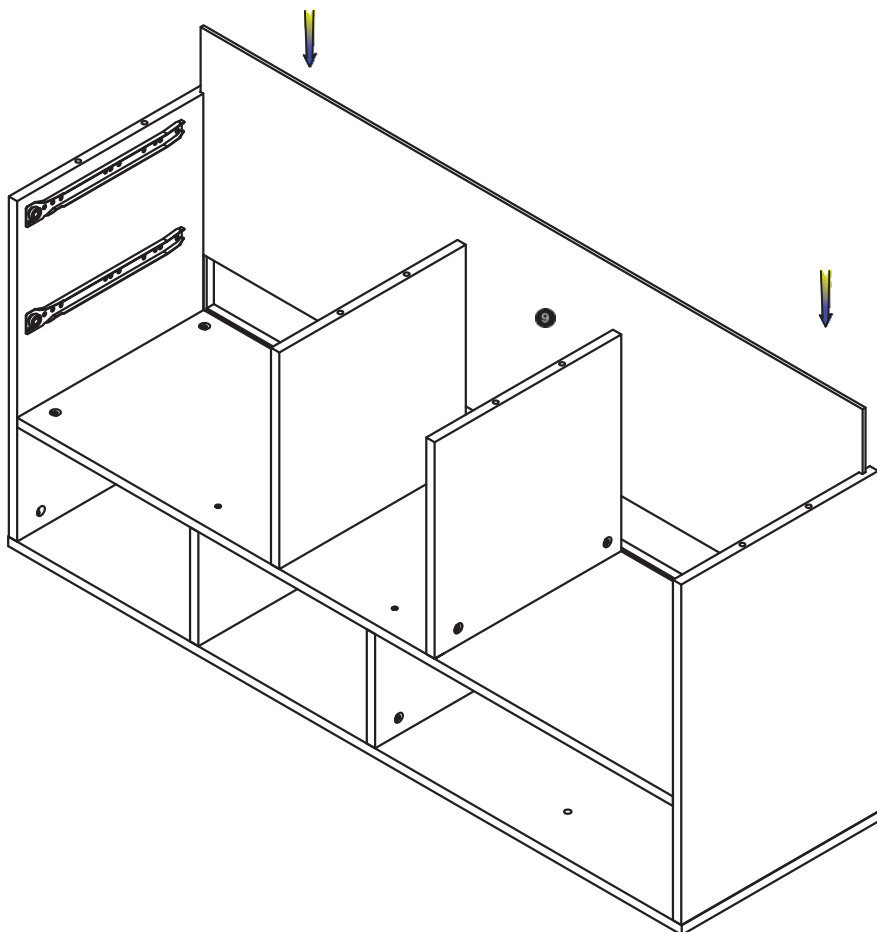
10



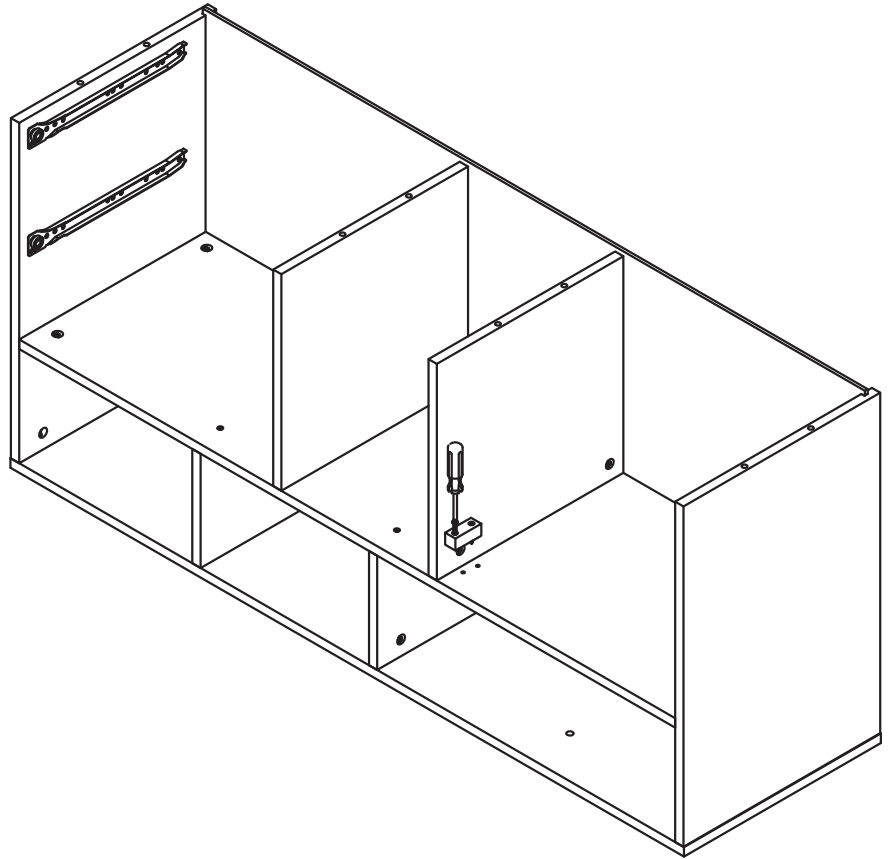
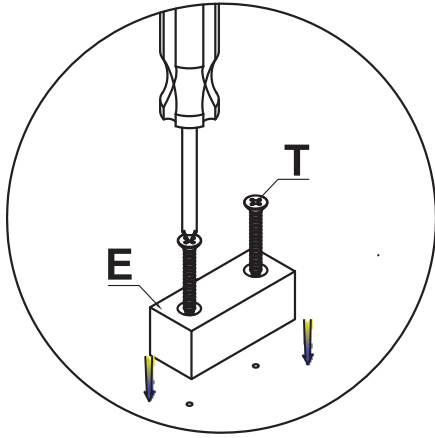
11





12

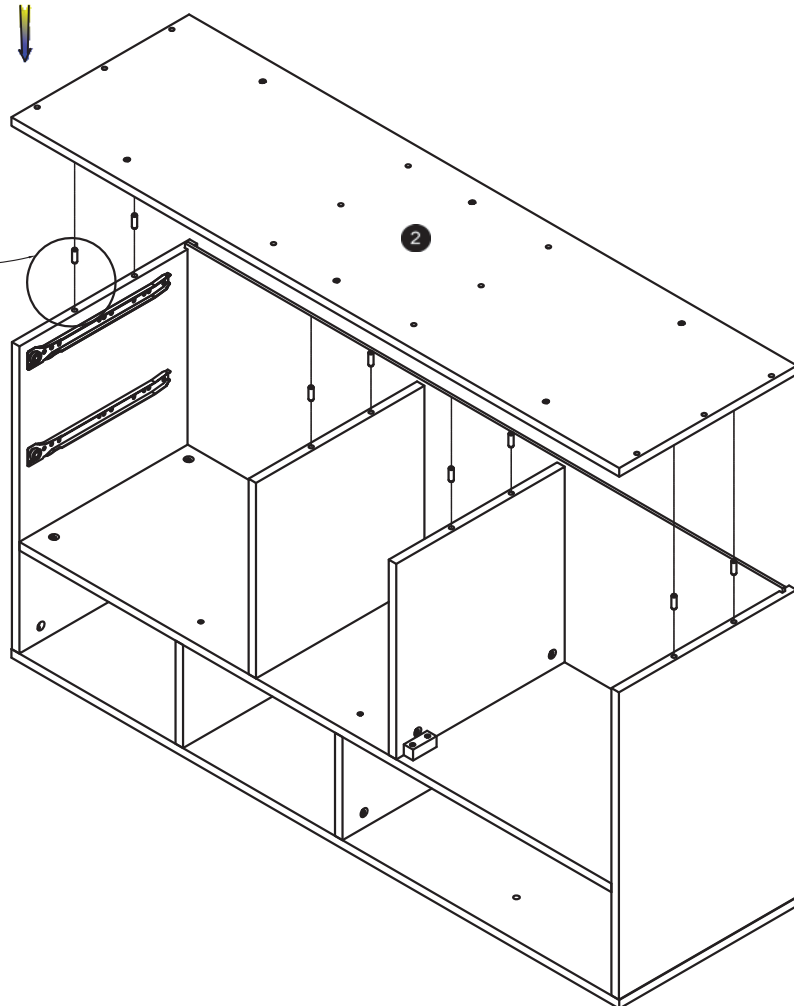
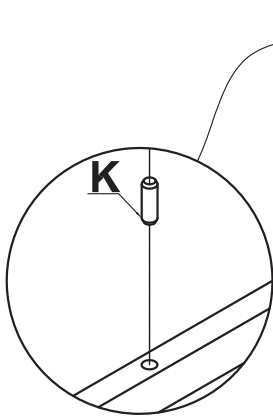



13



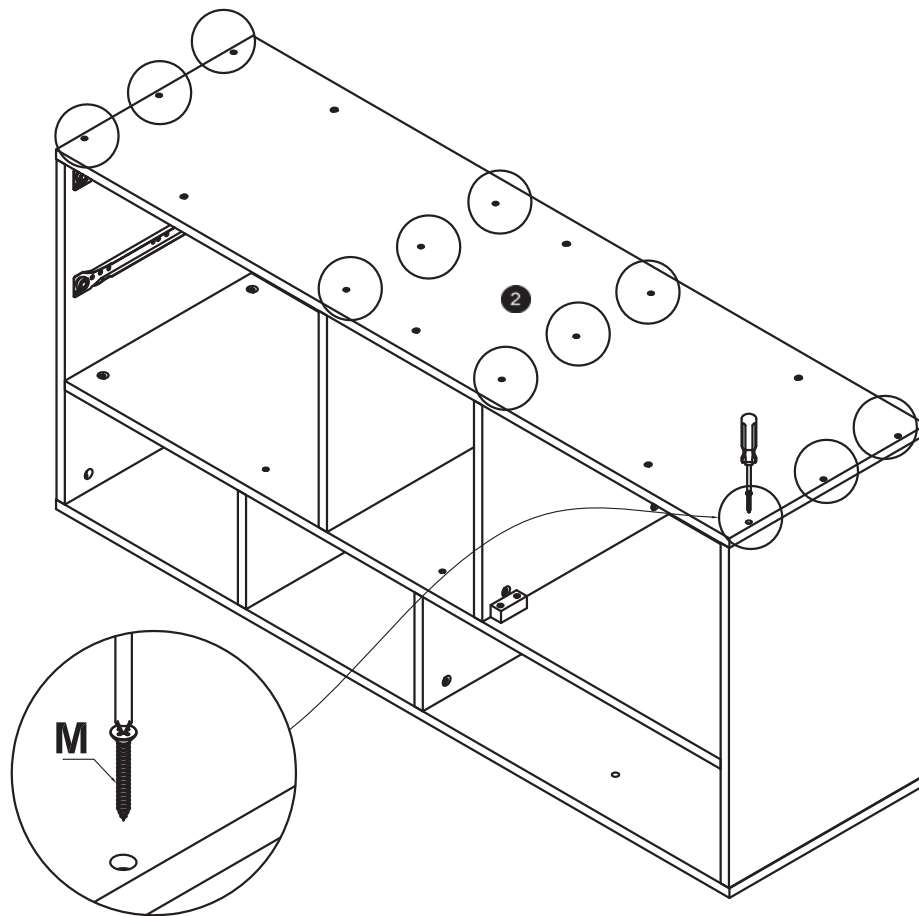
E	T M3.5 * 30mm
	
X1	X2

14



K Ø 8 x 25

X8

15

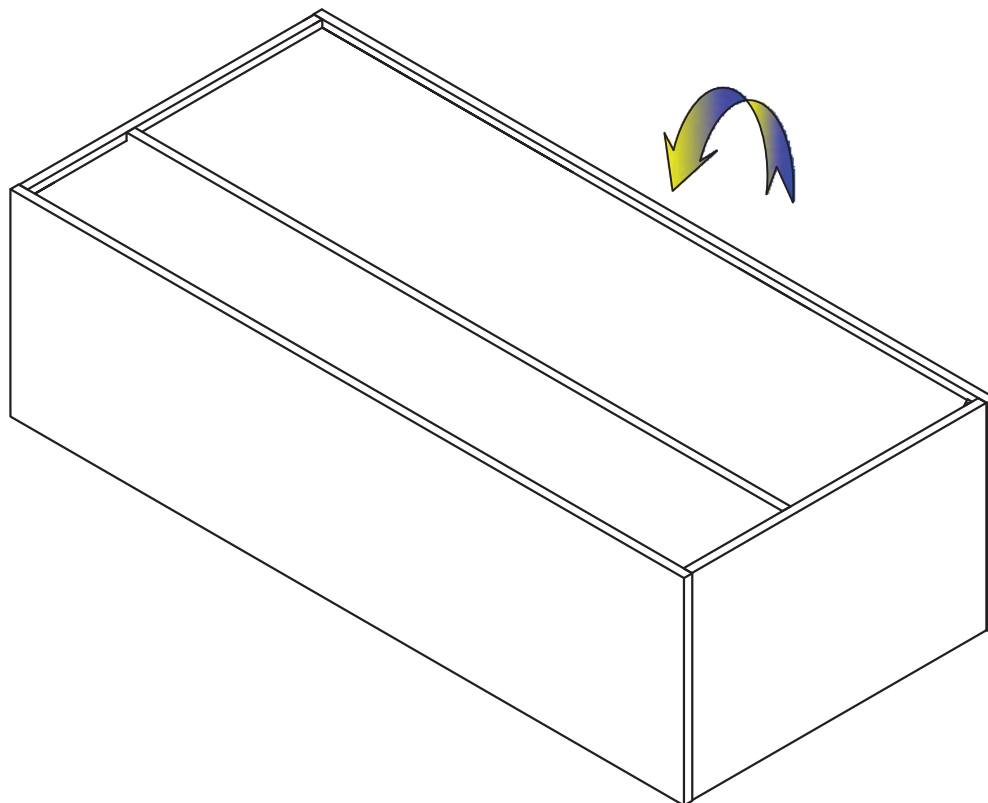


M M3.5 * 35mm

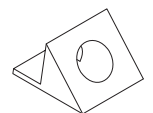


X12

16

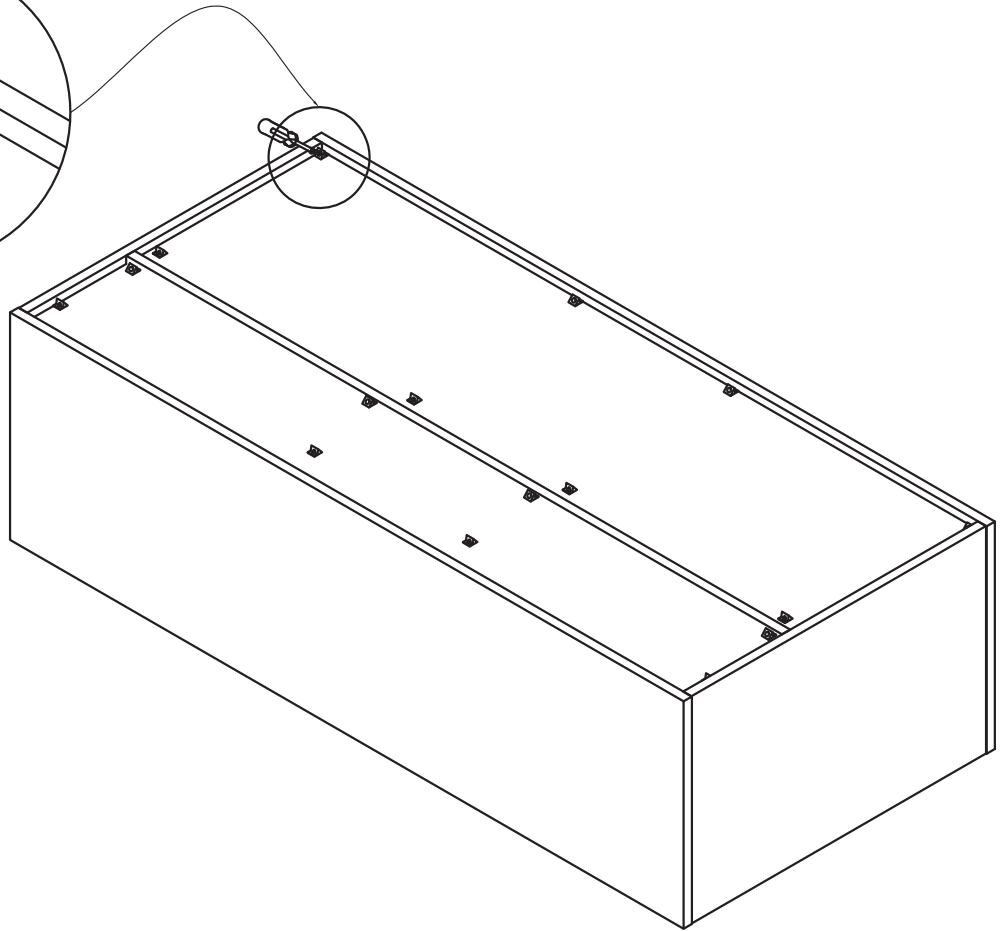
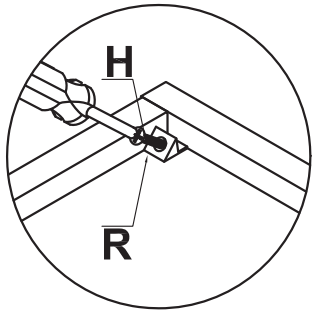


R



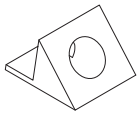
X12

17



H M3 * 15mm

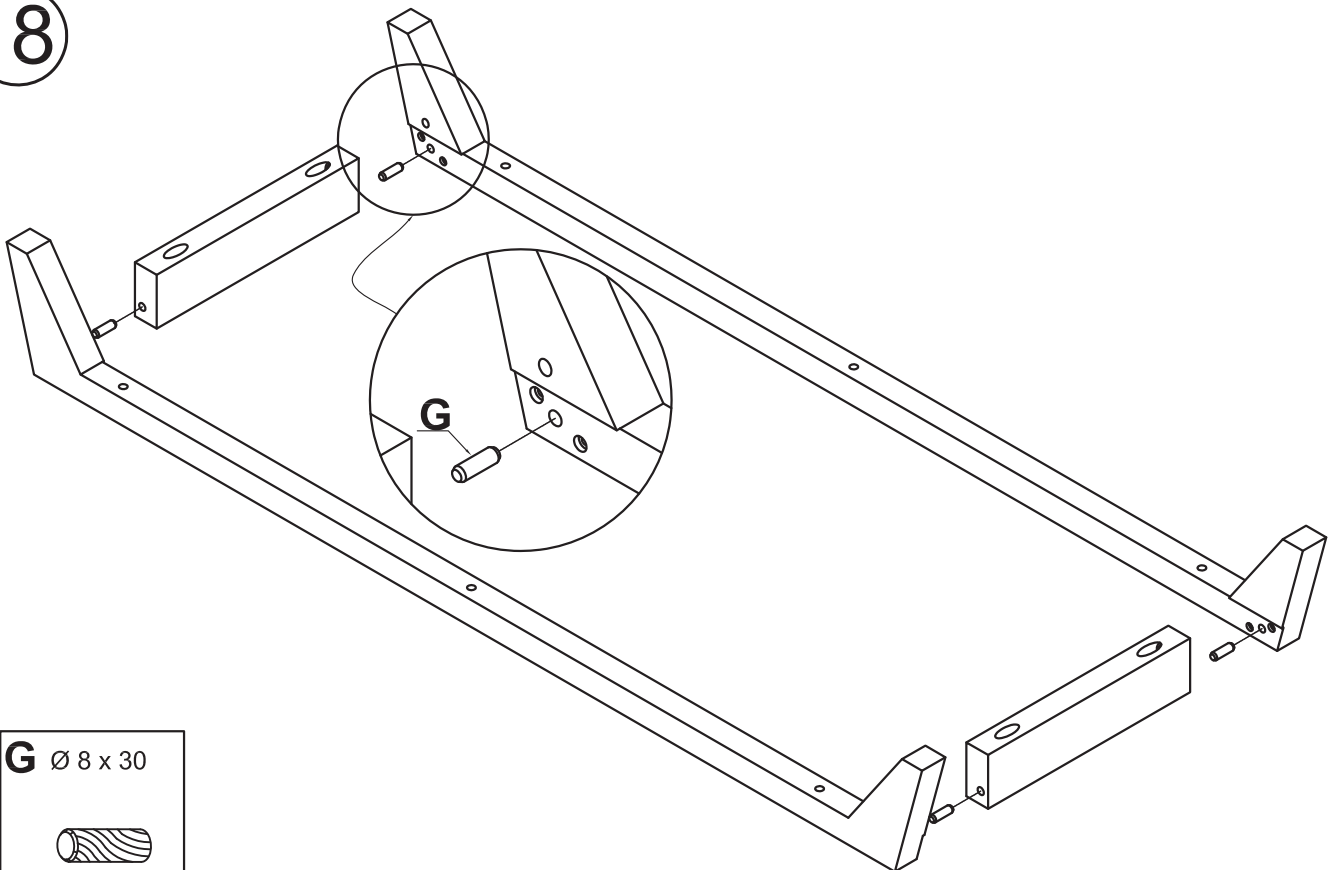
R



X16

X16

18



G Ø 8 x 30

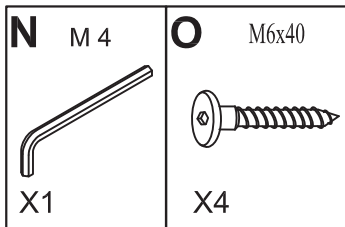
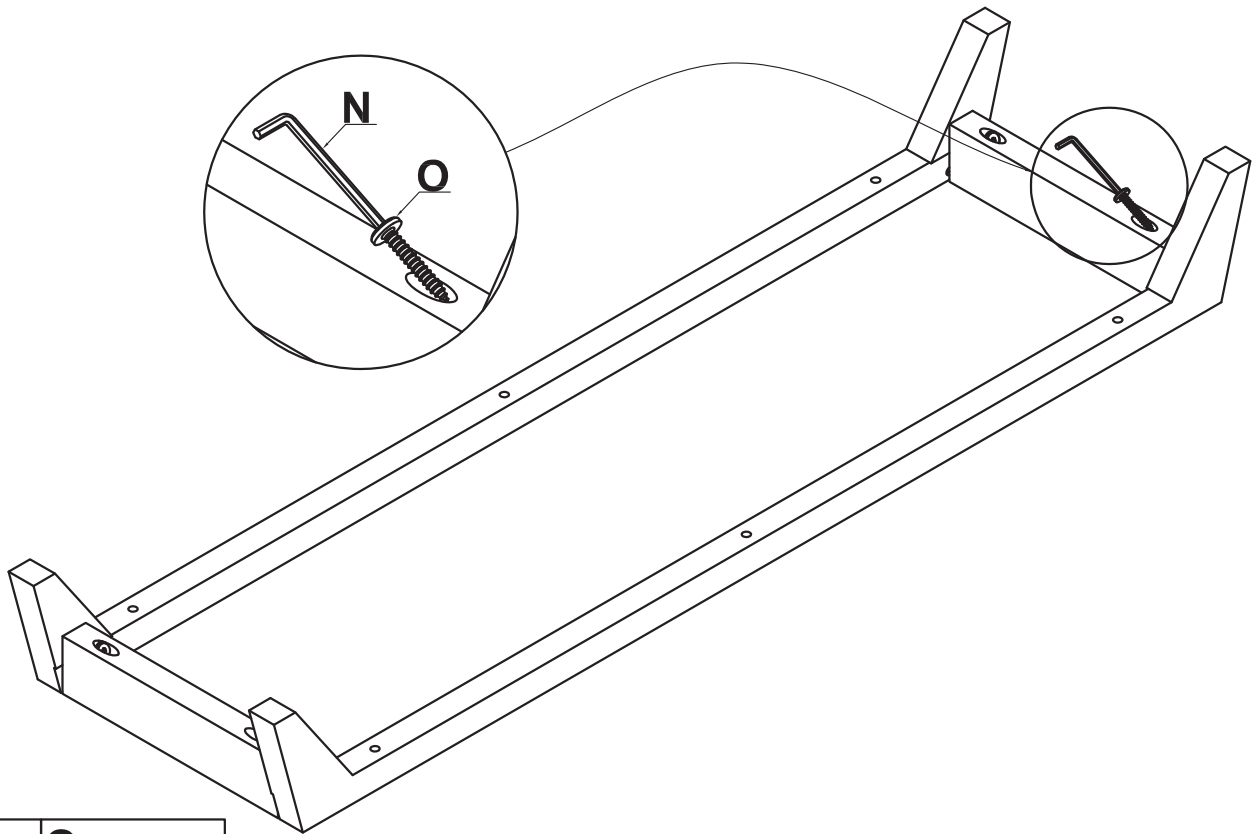


X4

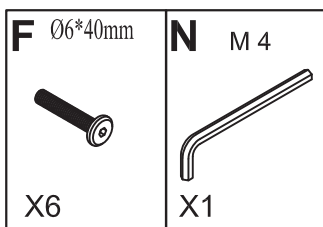
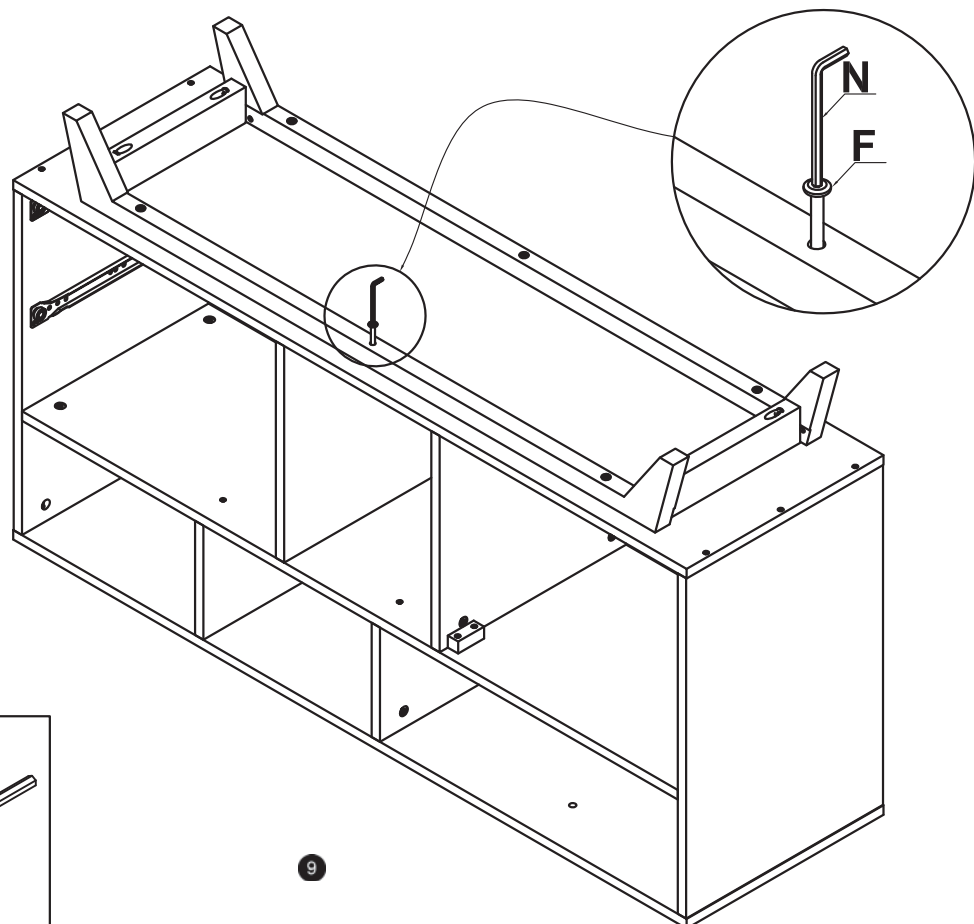
V1 - 002211

11/21

19

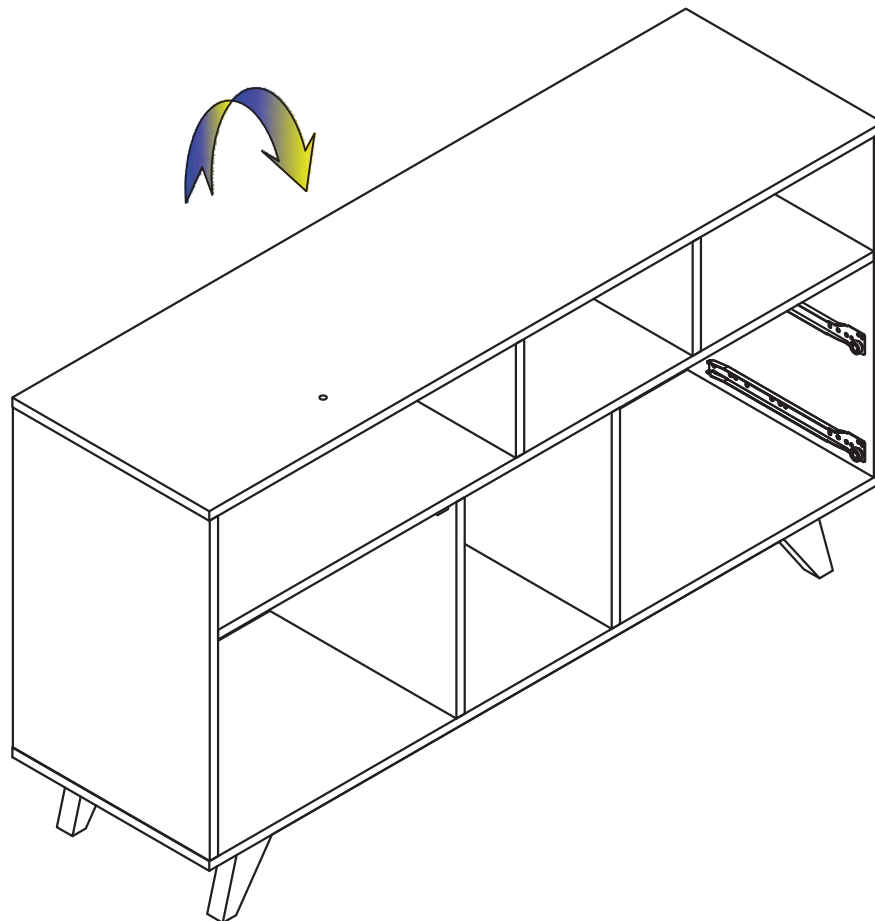


20

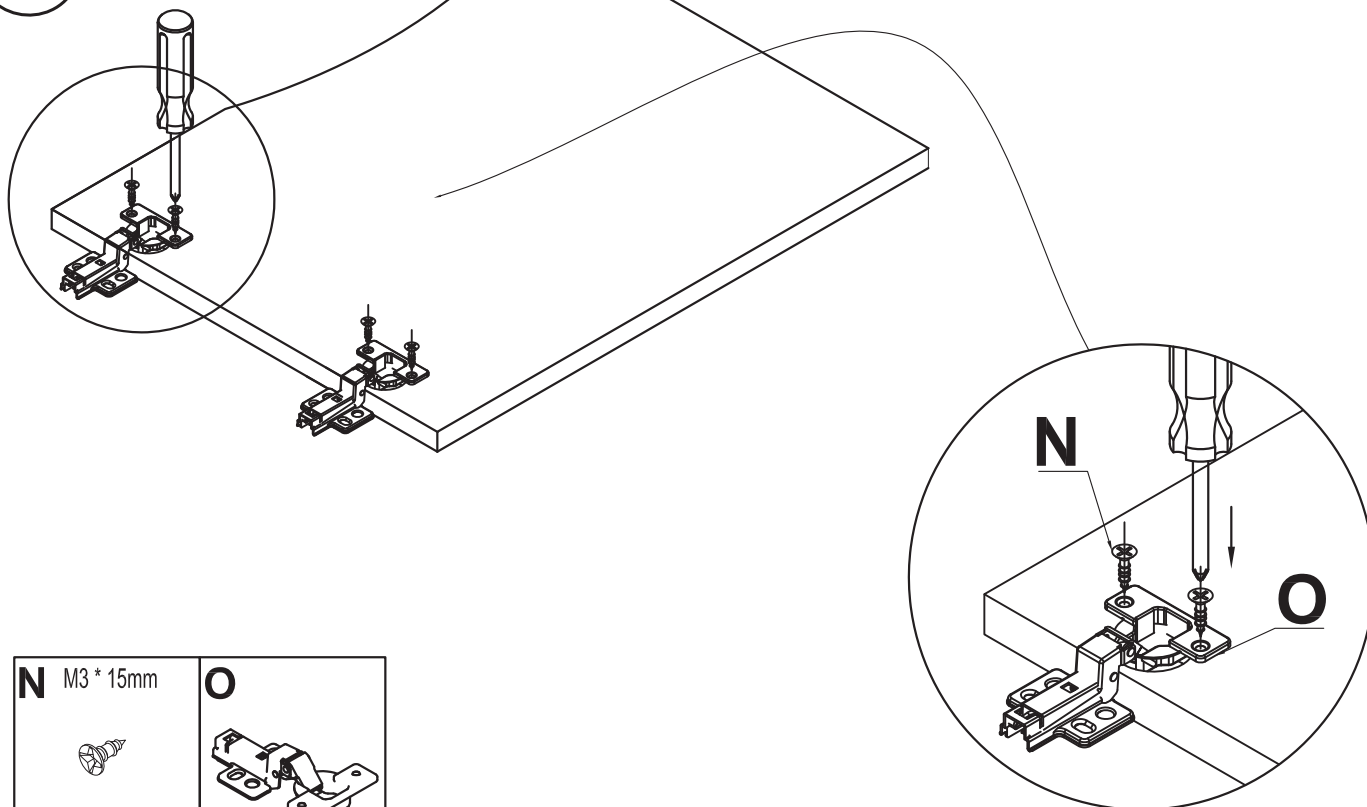




9

21

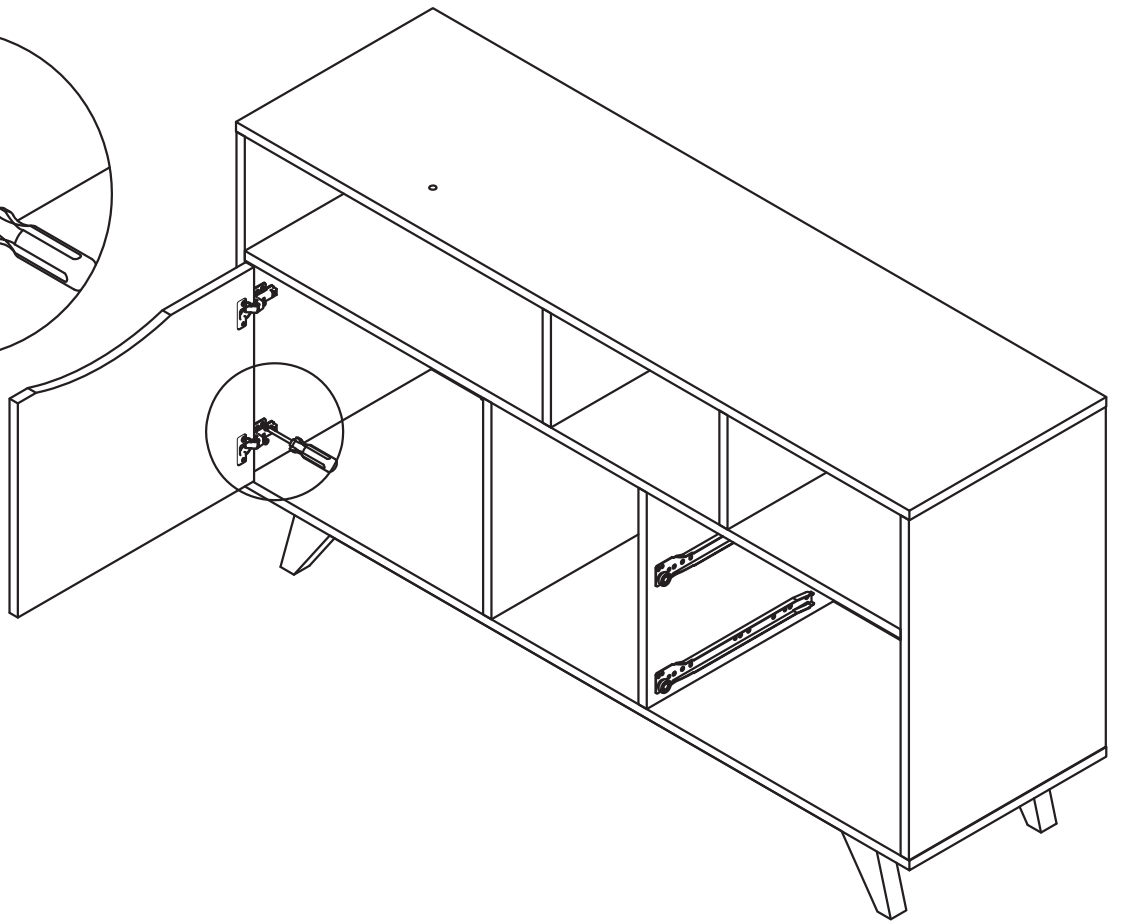
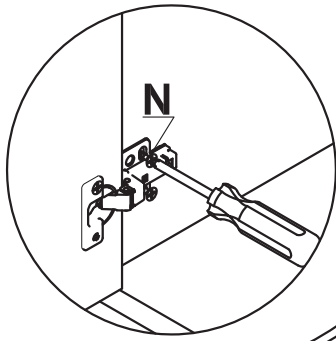


22



N M3 * 15mm  X4	O  X2
---	---

23

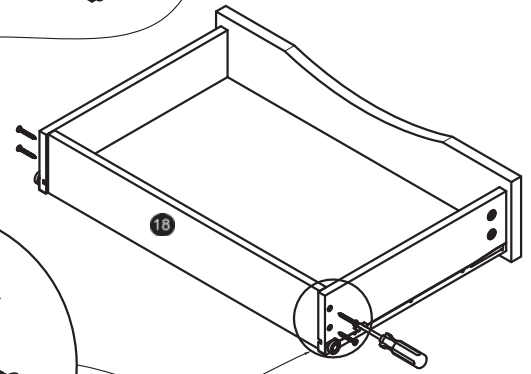
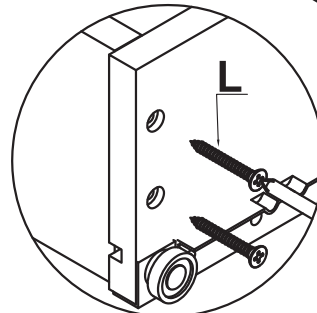
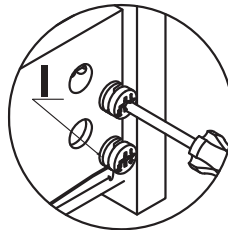
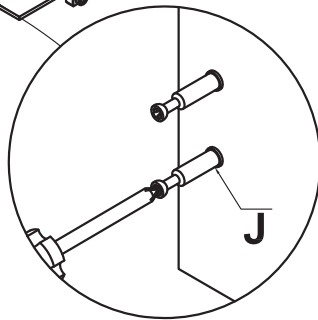
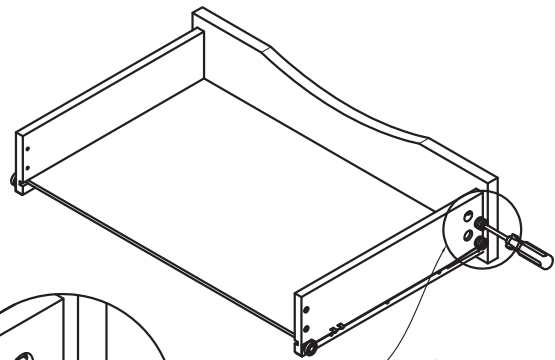
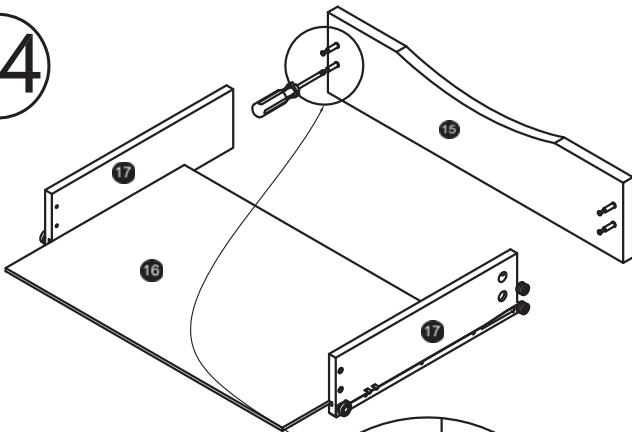


N M3 * 15mm



X4

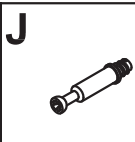
24



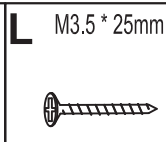
X 2



X8



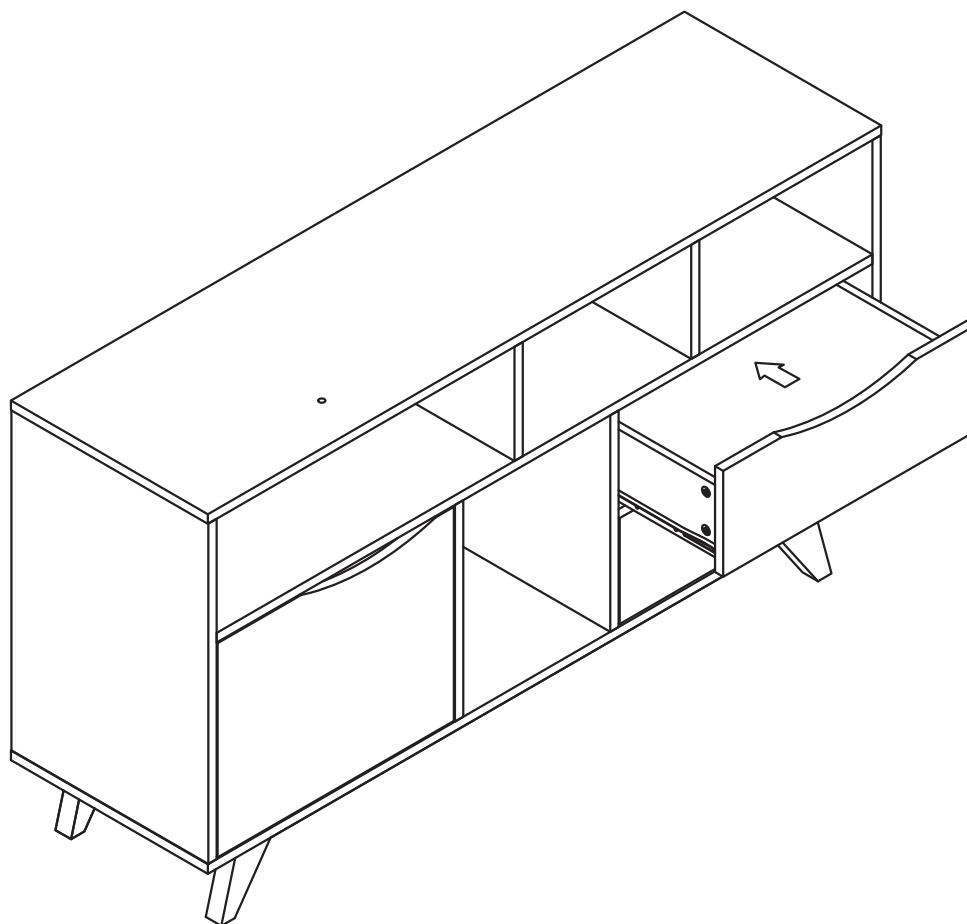
X8



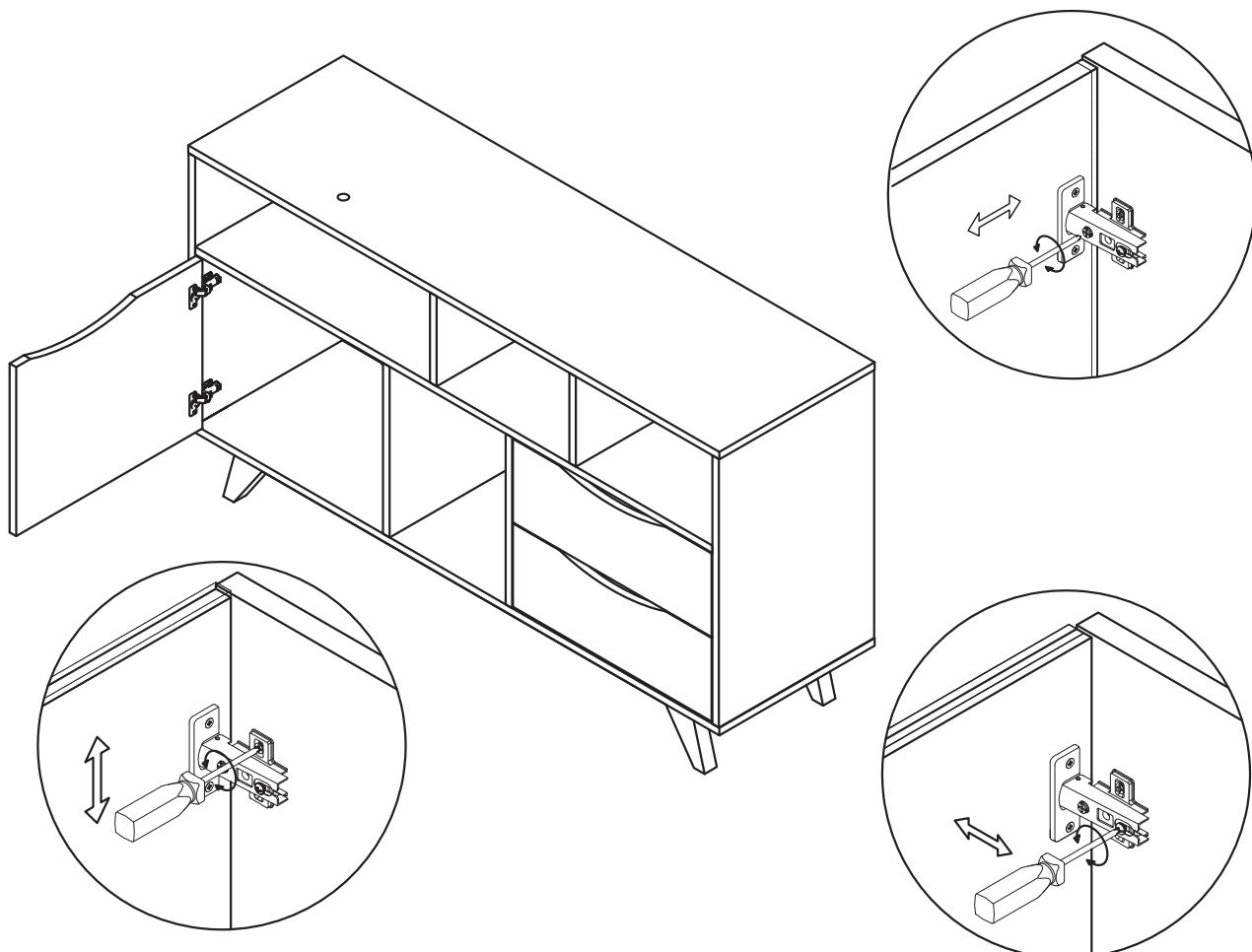
X8

L M3.5 * 25mm

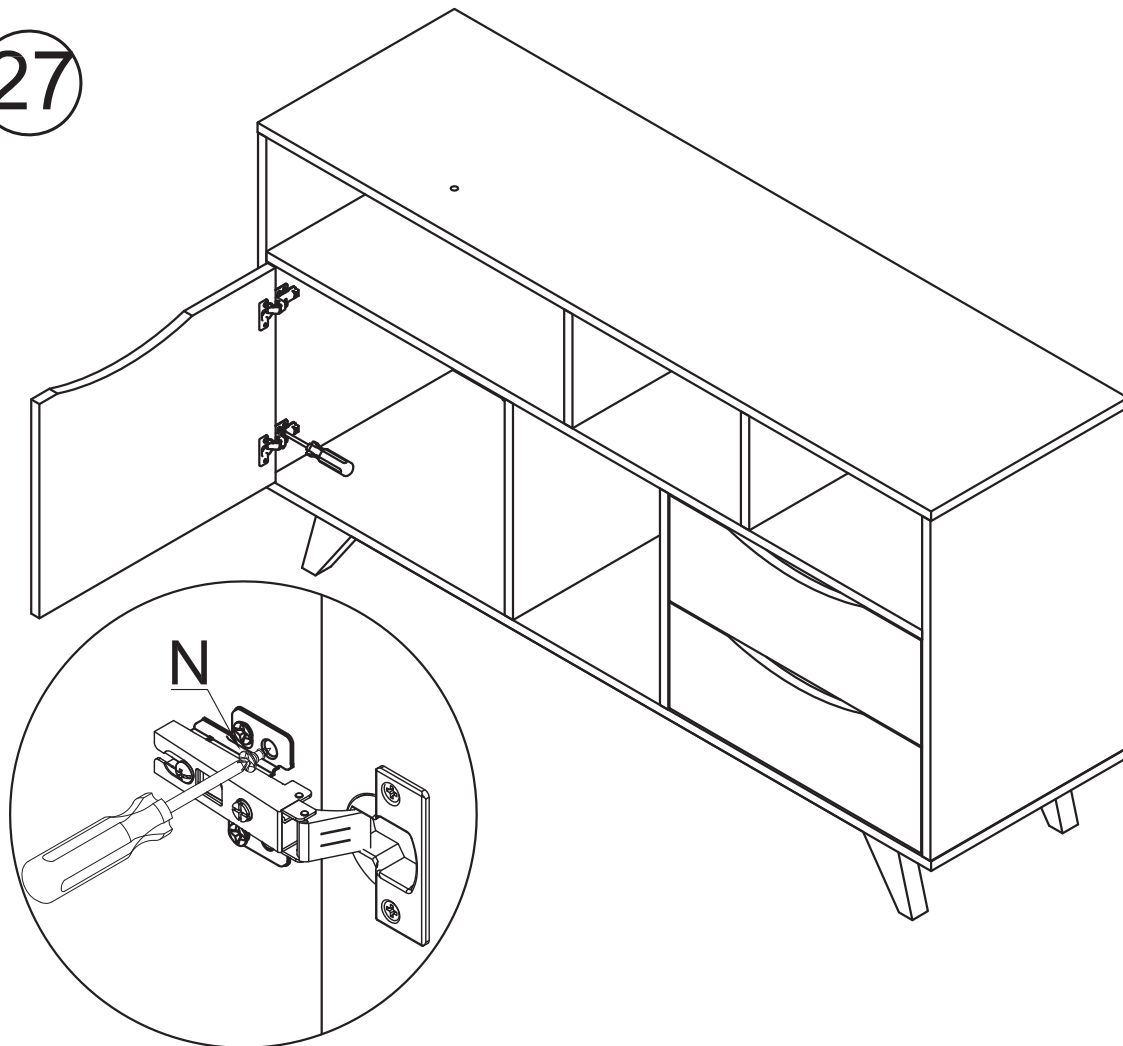
25

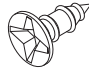


26

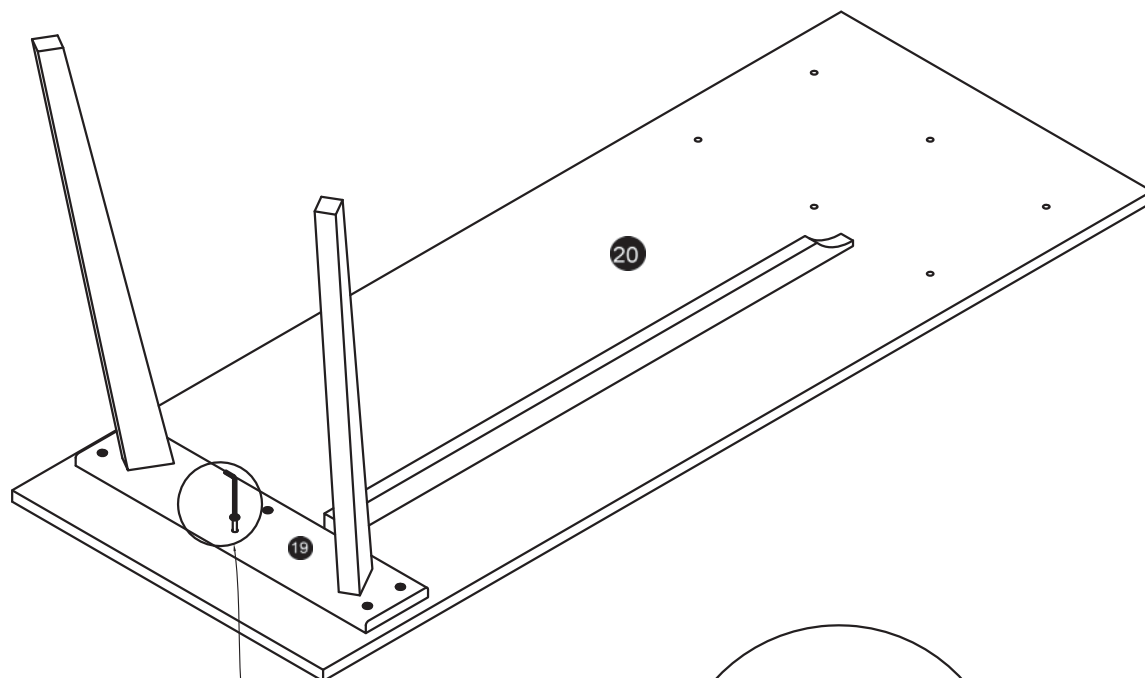


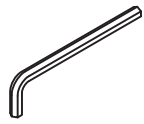

27

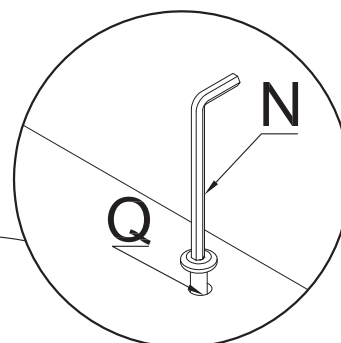


N 3 x 15

X4

28



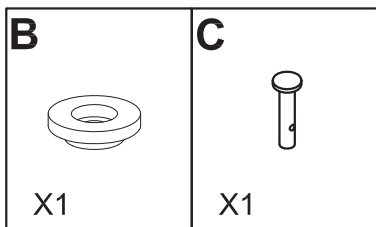
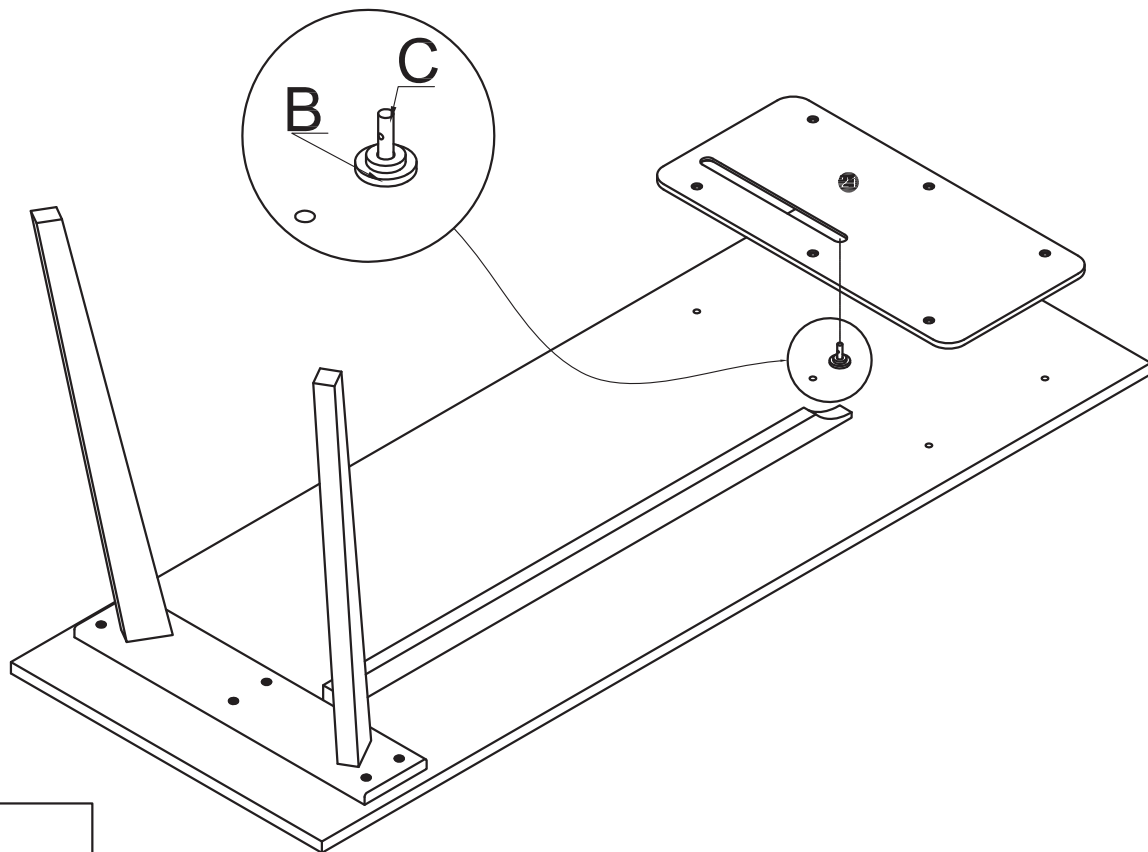
N M 4  X1	Q Ø6*30mm  X6
--	--



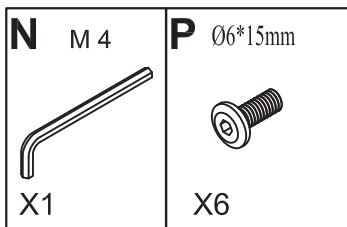
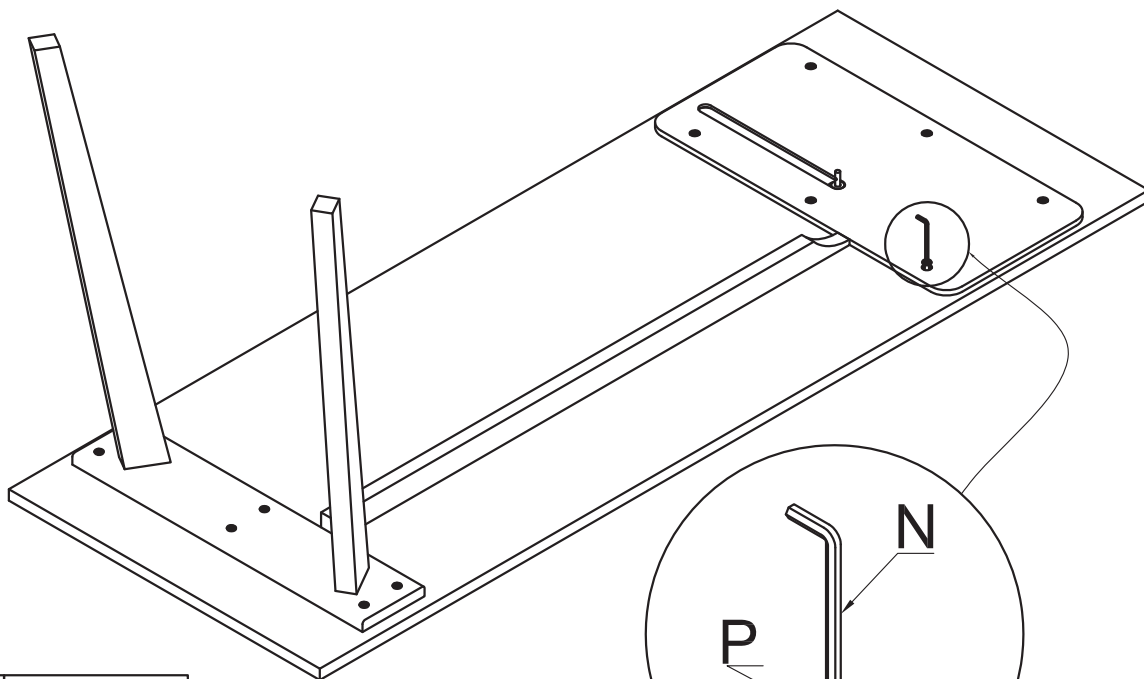
V1 - 002211

16/21

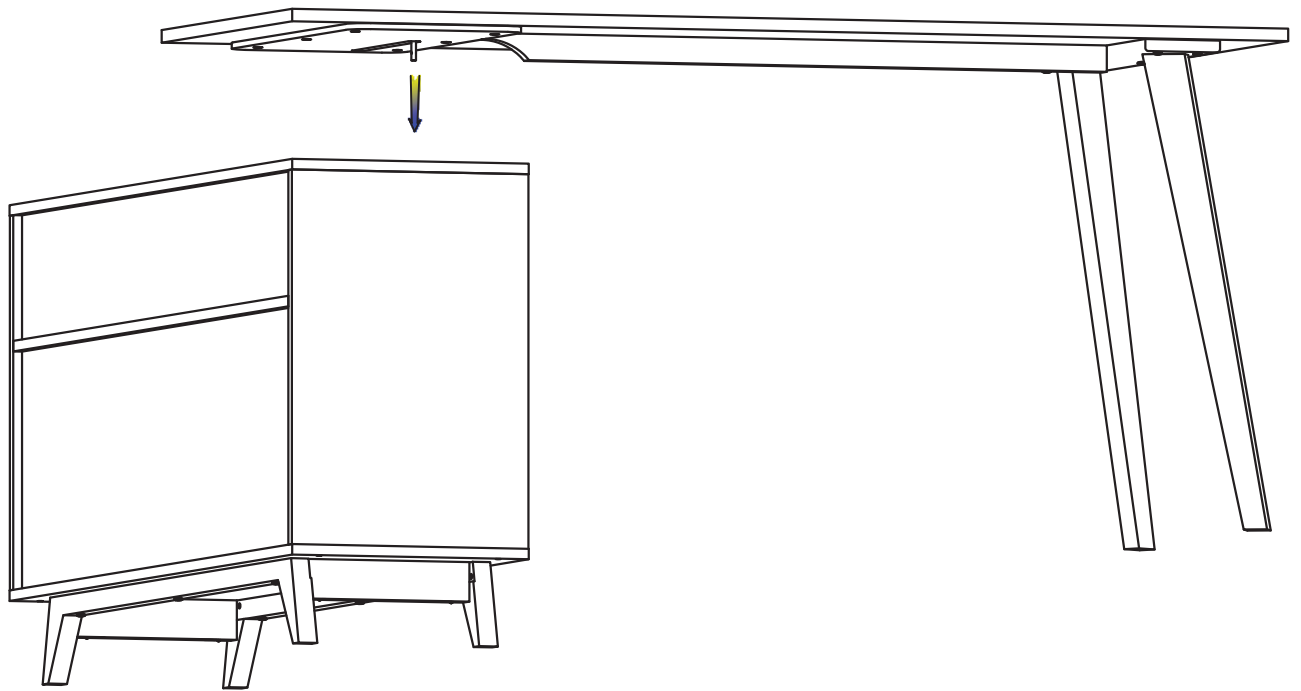
29



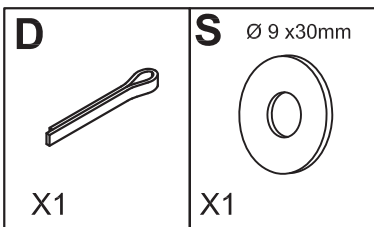
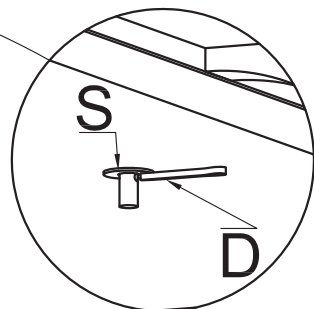
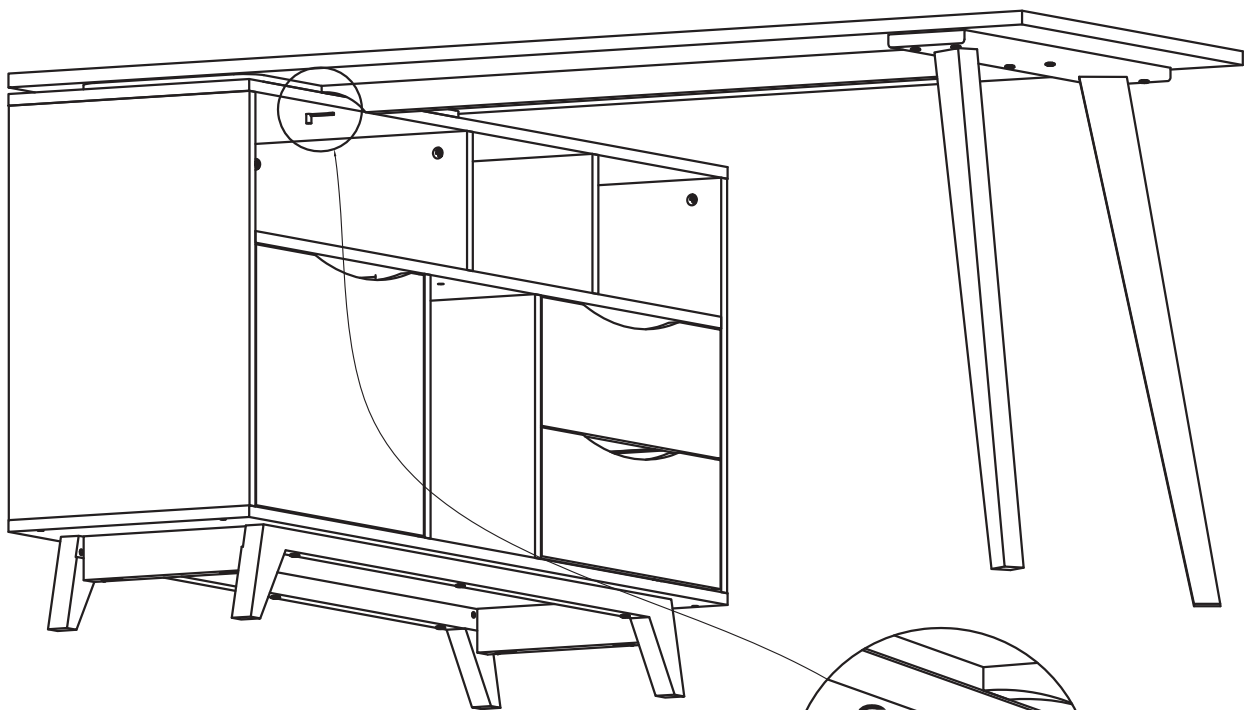
30



31

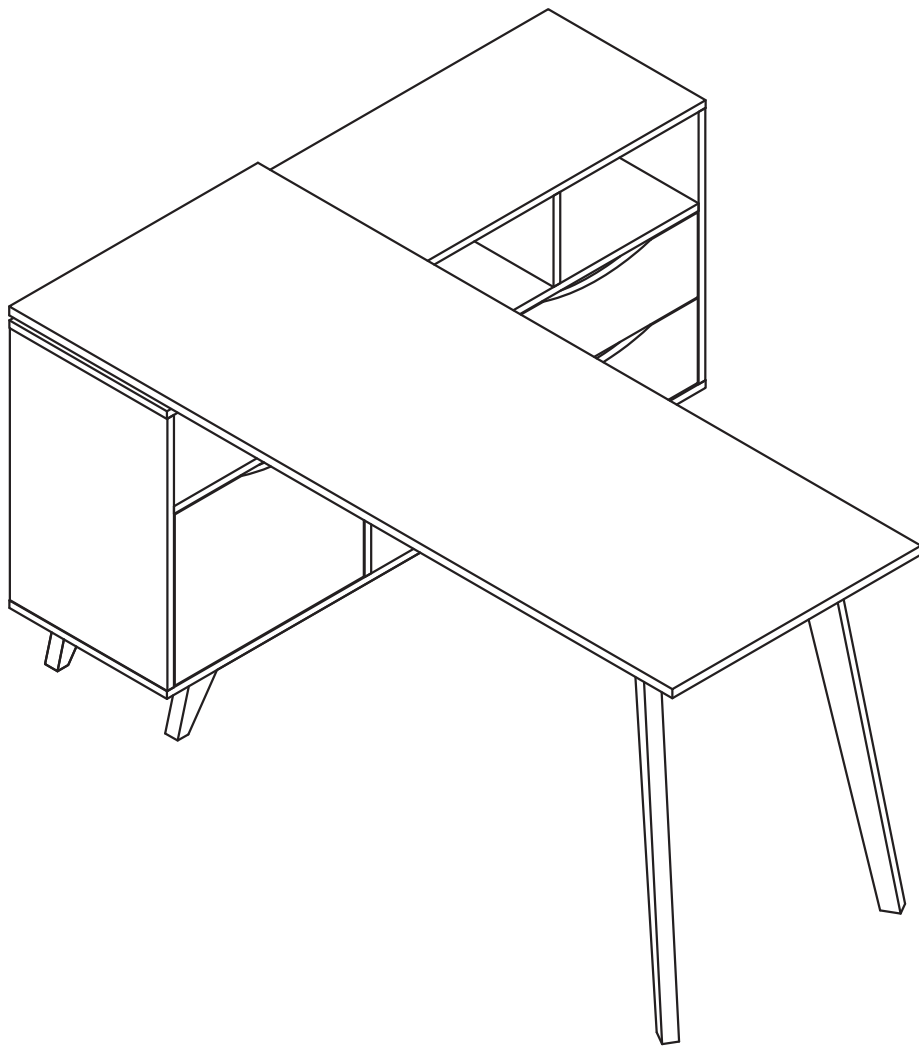


32

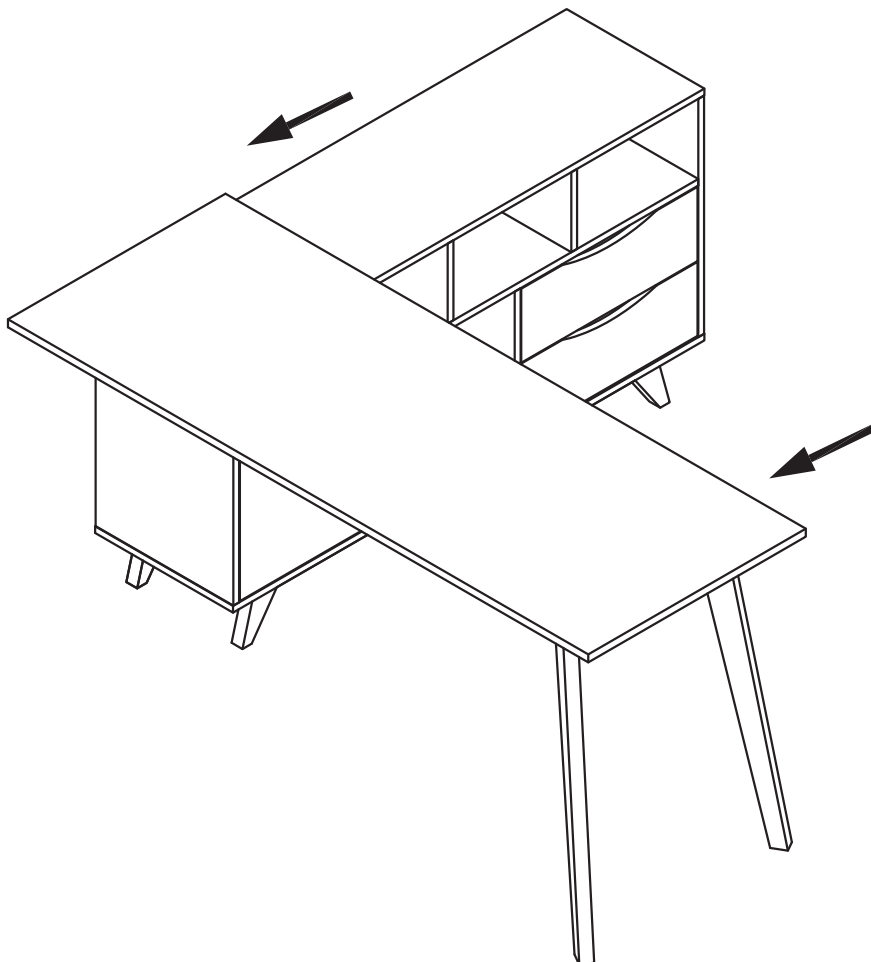


V1 - 002211

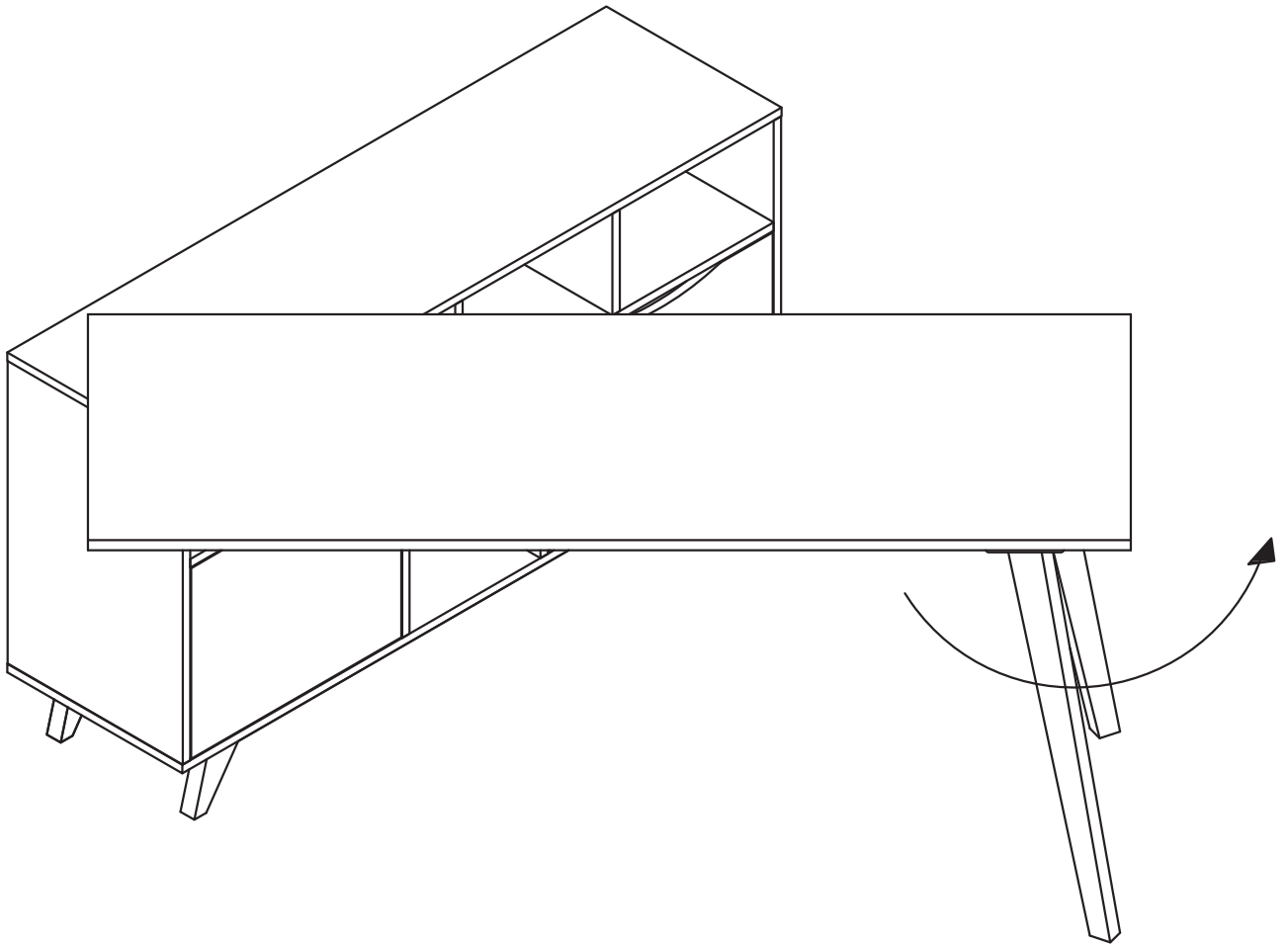
33



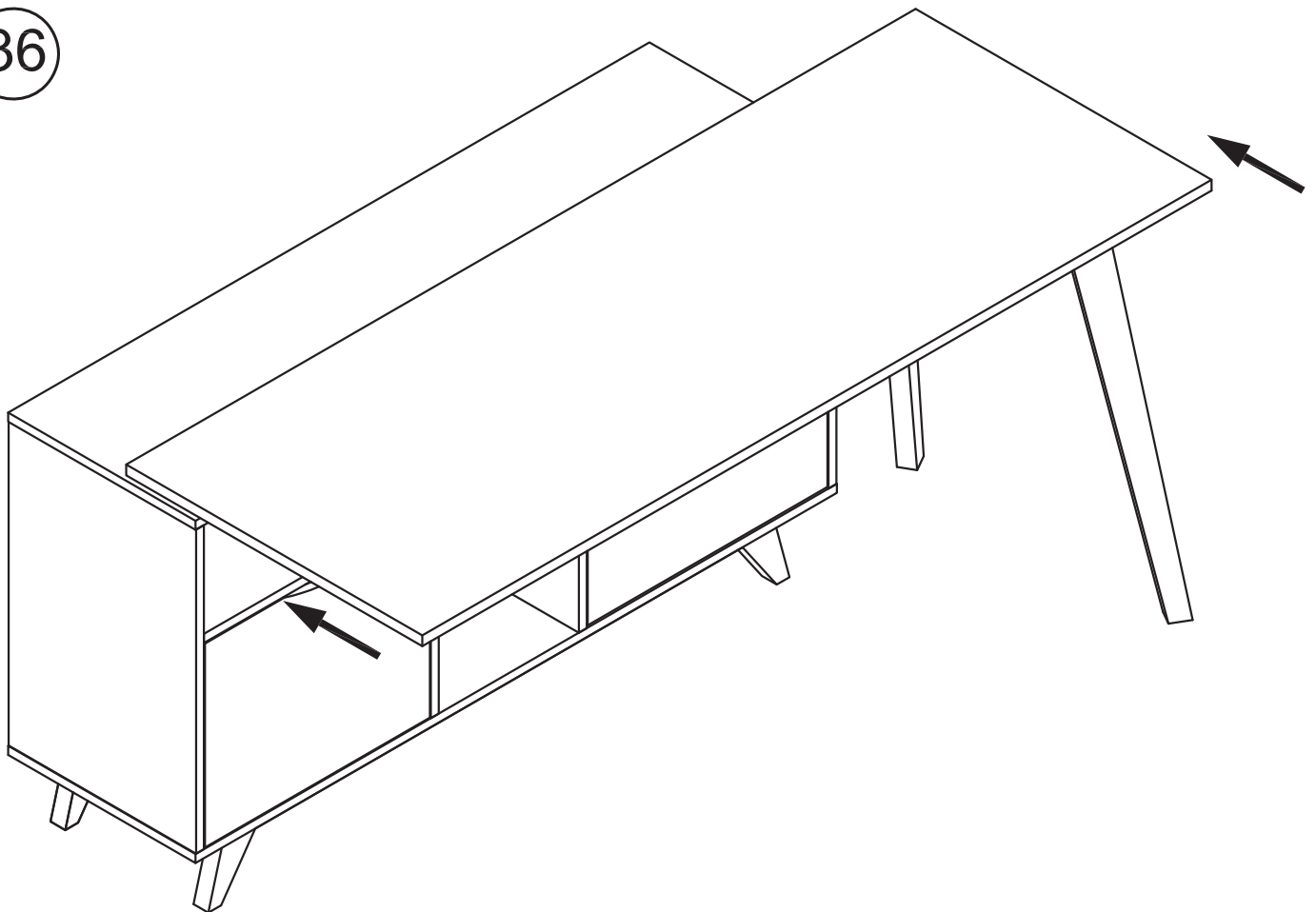
34



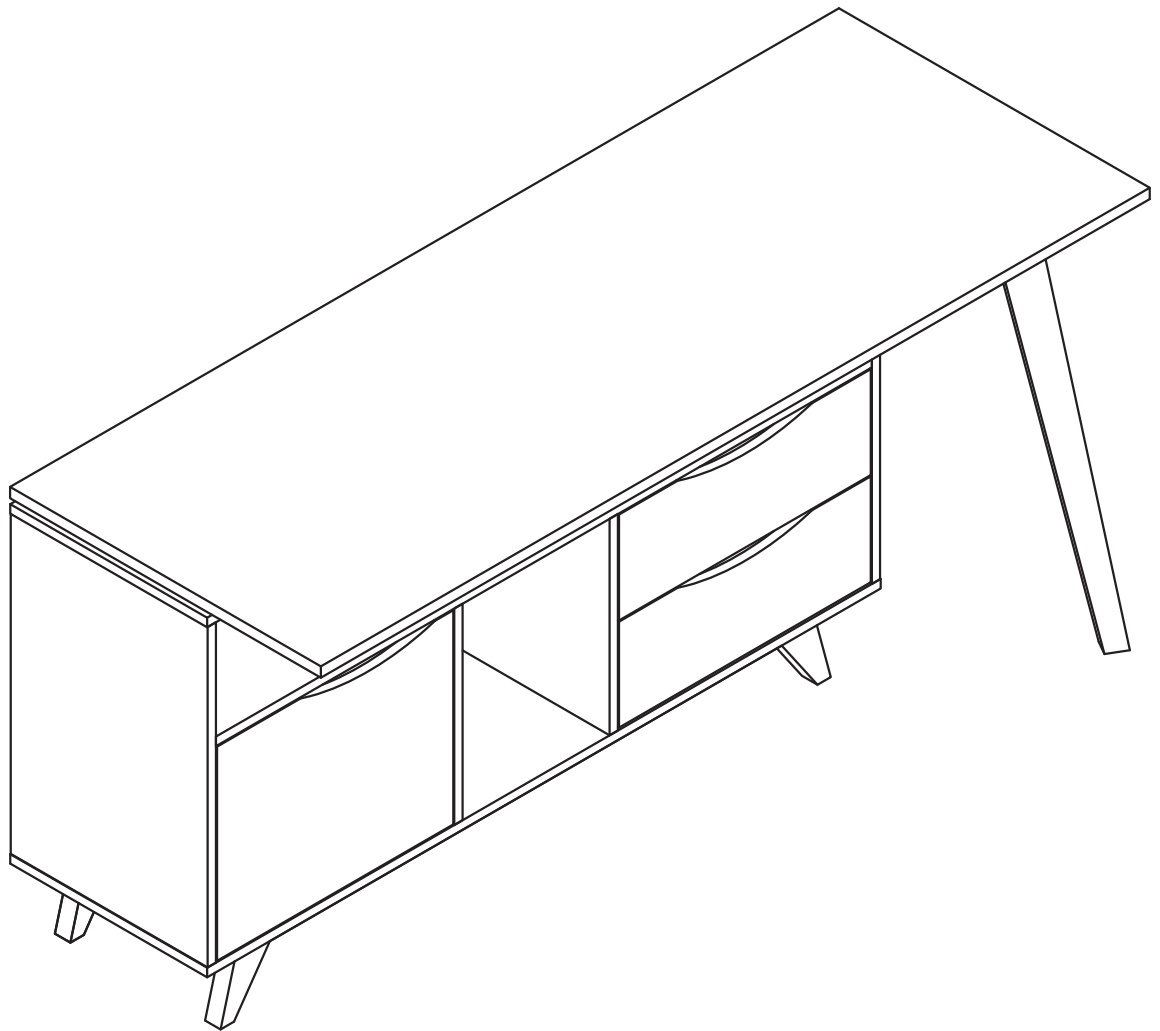
35



36



37



38

