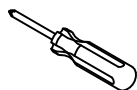
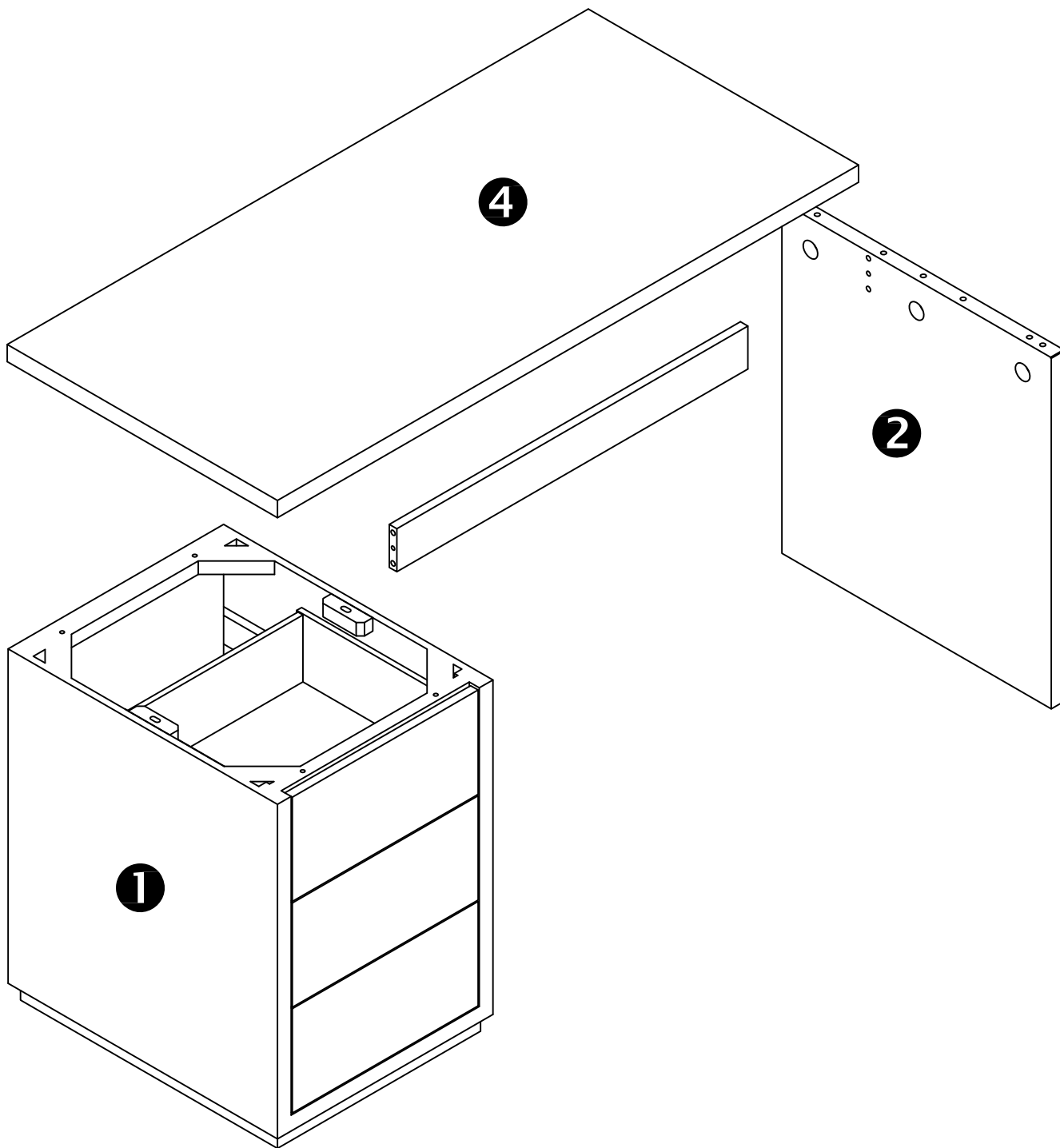
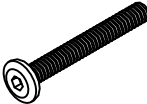
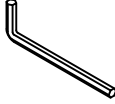
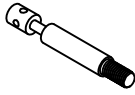
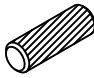
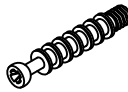


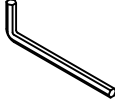

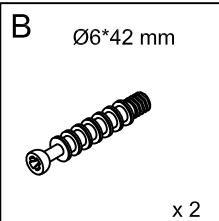
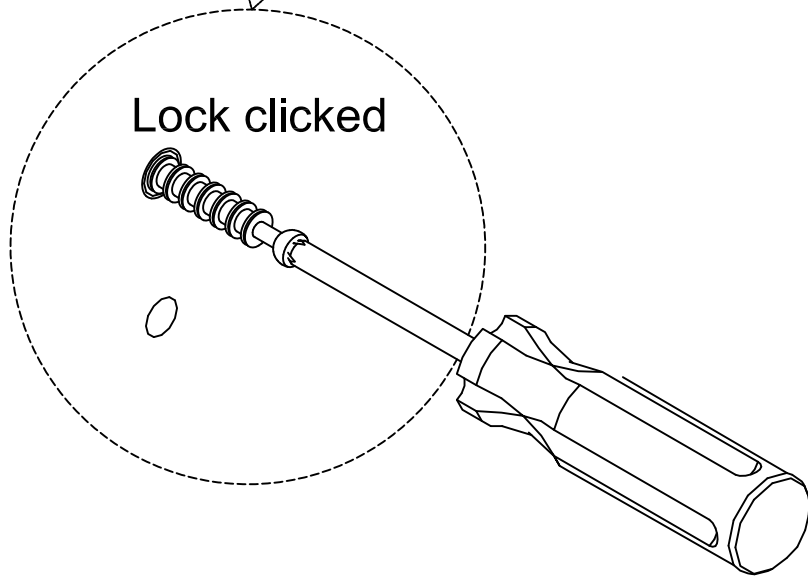
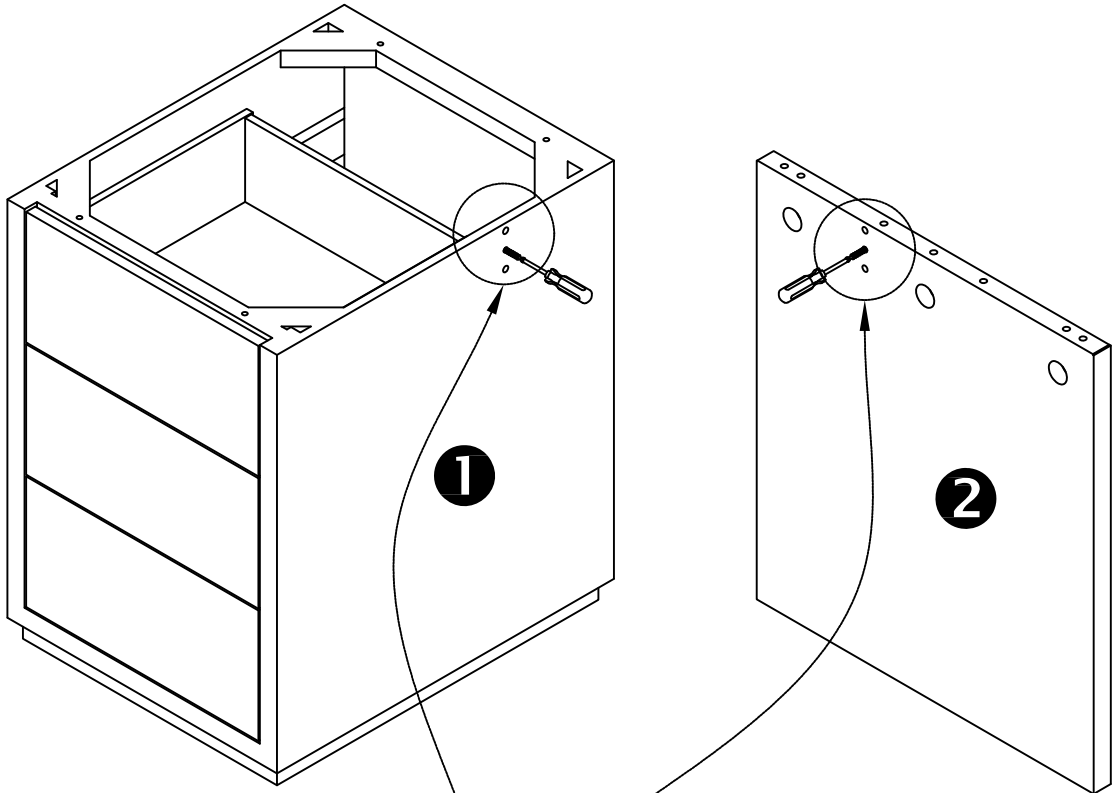
 15 MIN





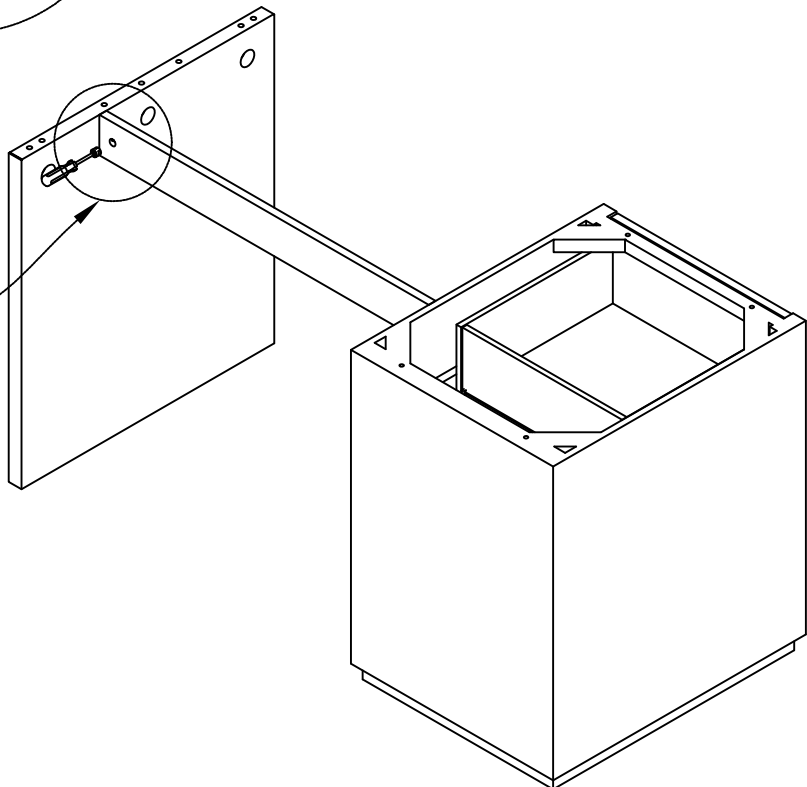
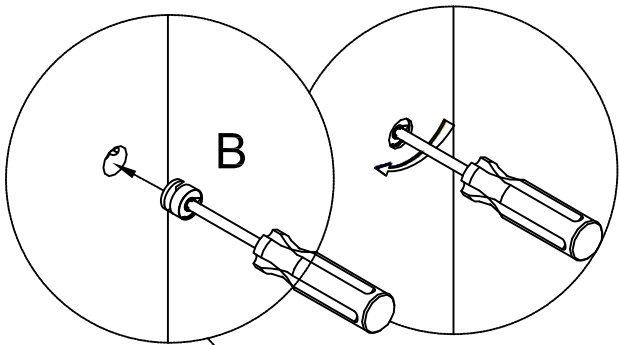
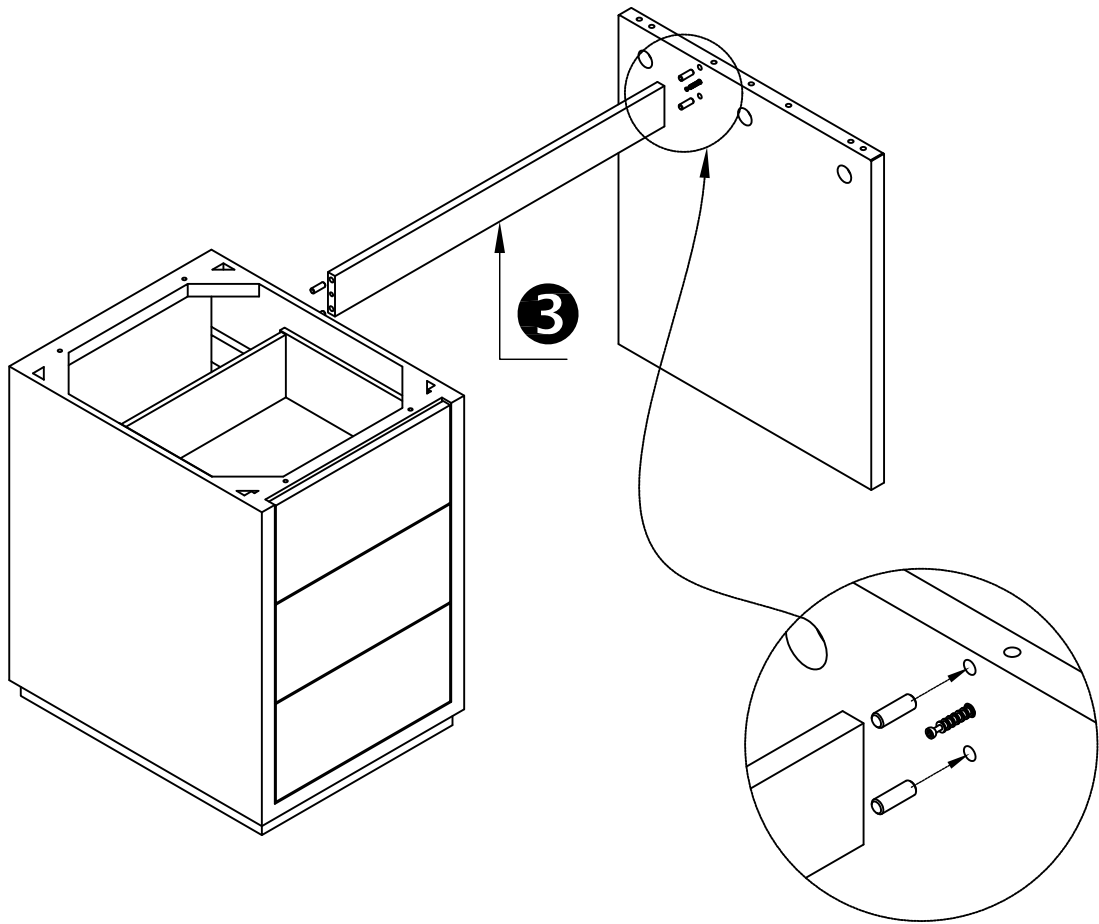
D Ø6*45 mm  x 6	E M4*110 mm  x 1	F  x 3	A Ø10*30 mm  x 8	B Ø6*42 mm  x 2	C Ø14*12 mm  x 2
			G  x 3	H M3*110 mm  x 1	G Ø35  x 3



1



V1 - 002211

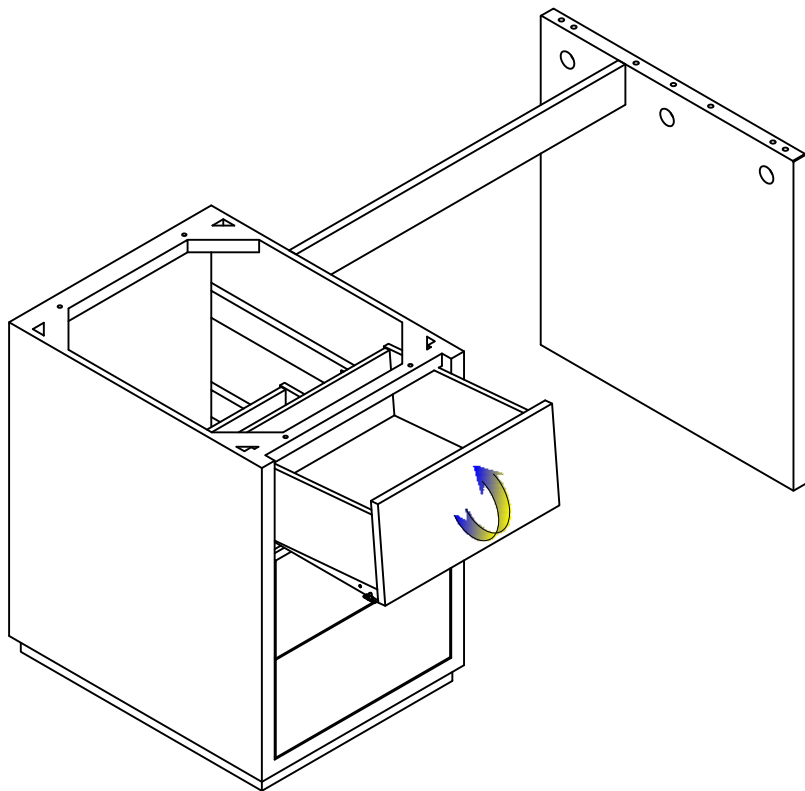
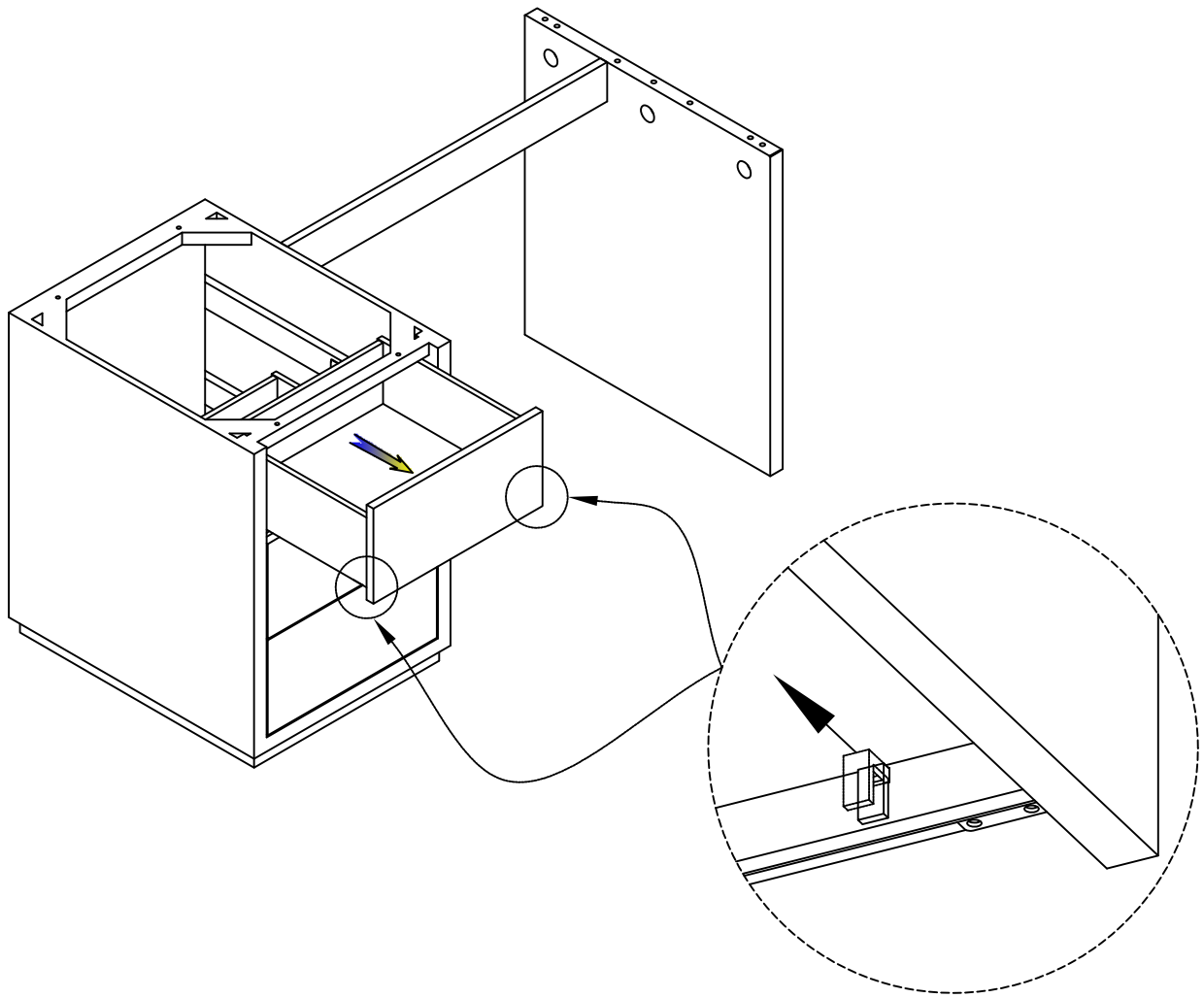
2



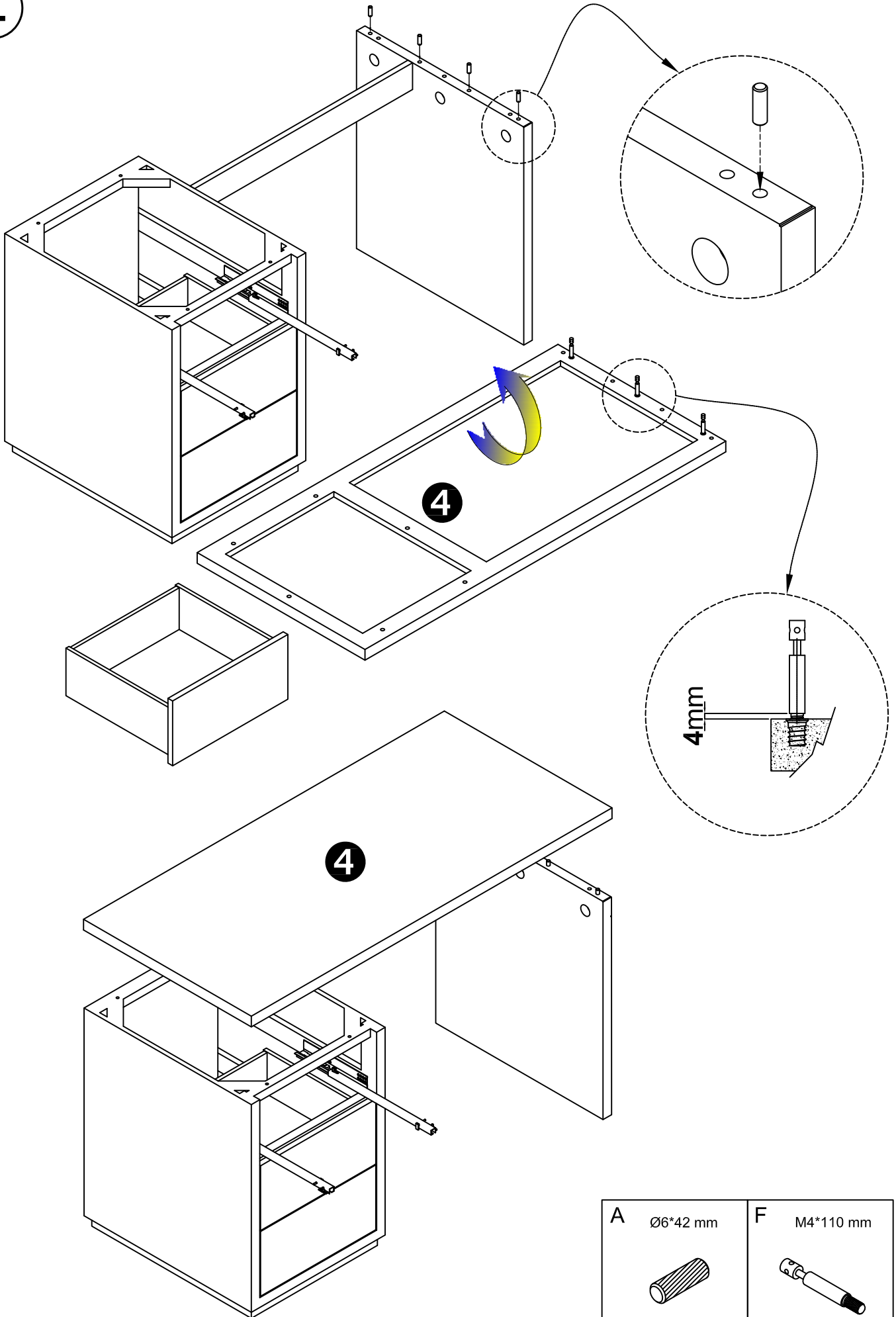
<p>A $\varnothing 6 \times 42$ mm</p>  <p>x 4</p>	<p>C $\varnothing 14 \times 12$ mm</p>  <p>x 2</p>
---	--

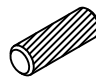

V1 - 002211

3

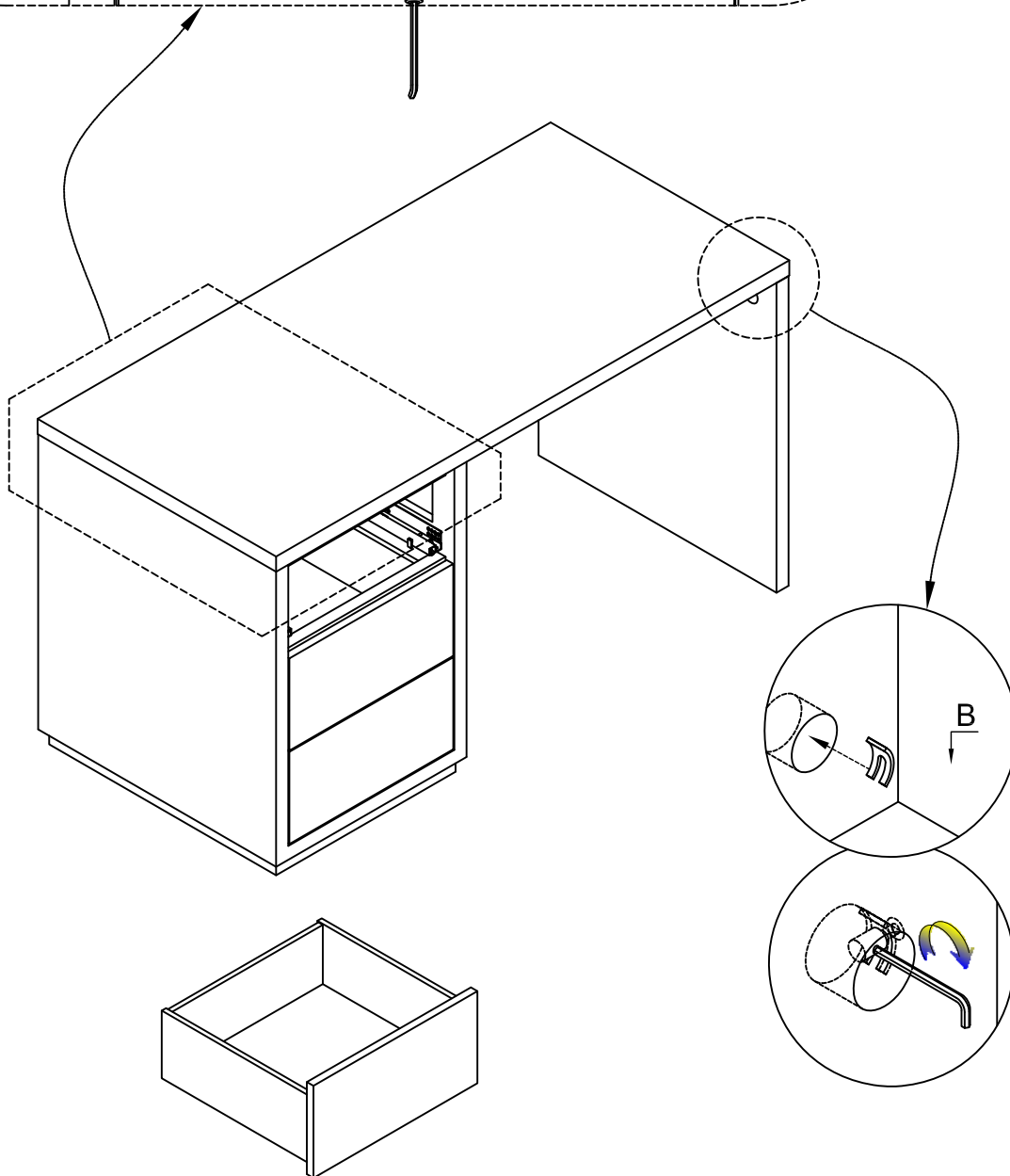
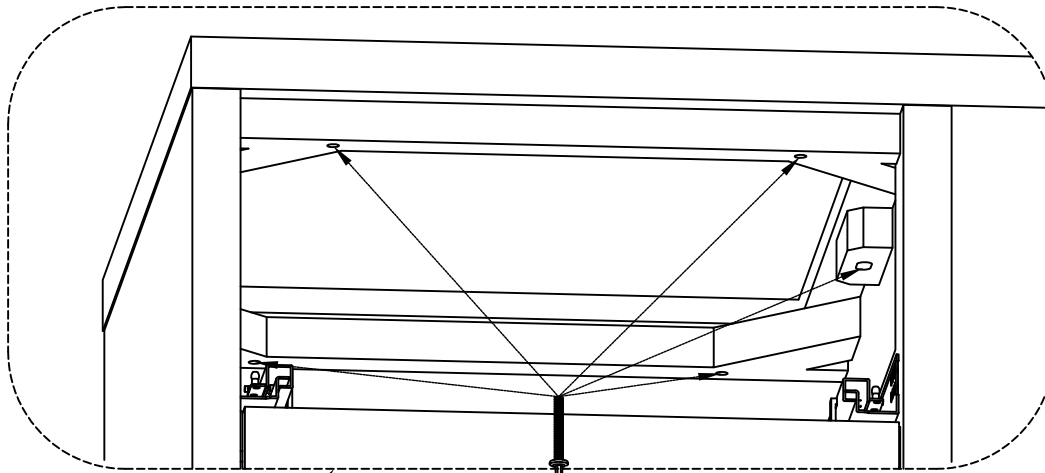


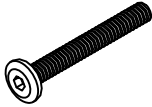

4



<p>A $\varnothing 6 \times 42$ mm</p>  <p>x 4</p>	<p>F M4*110 mm</p>  <p>x 3</p>
---	---

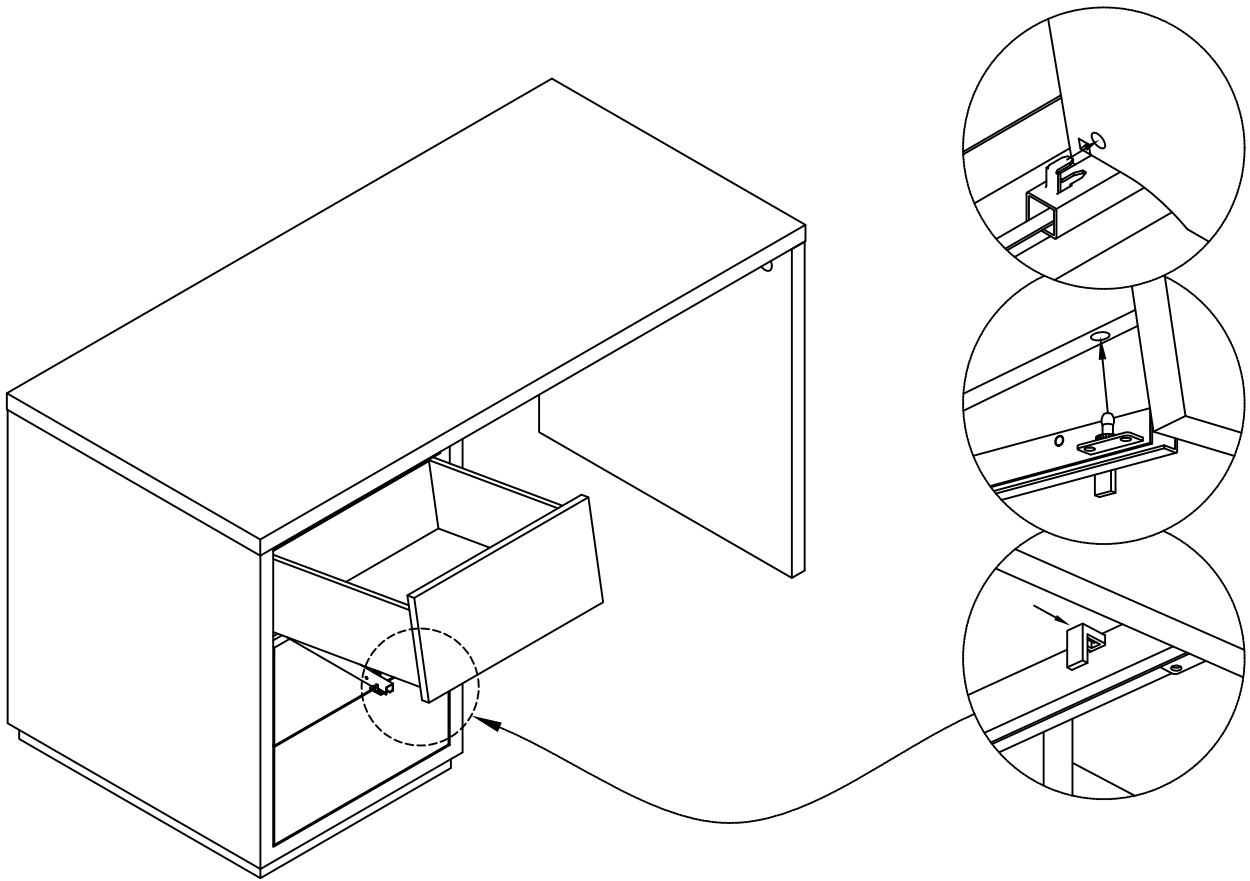
5



<p>D $\varnothing 6 \times 45$ mm</p>  <p>x 6</p>	<p>G</p>  <p>x 3</p>
---	---

V1 - 002211

6



7

