
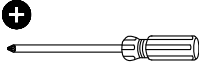
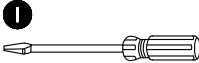

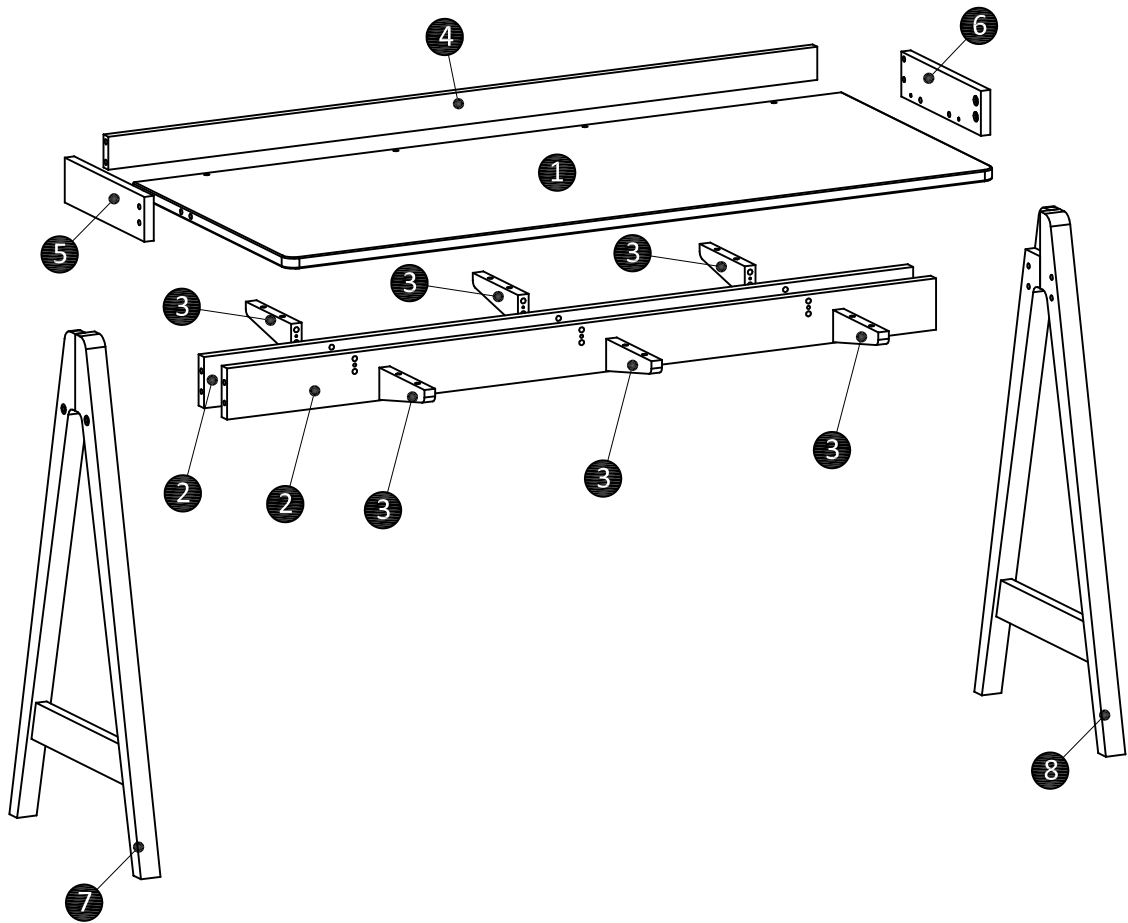


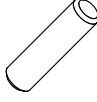
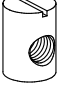


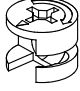



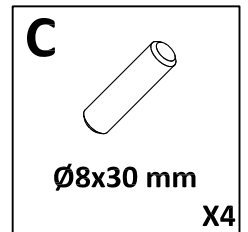
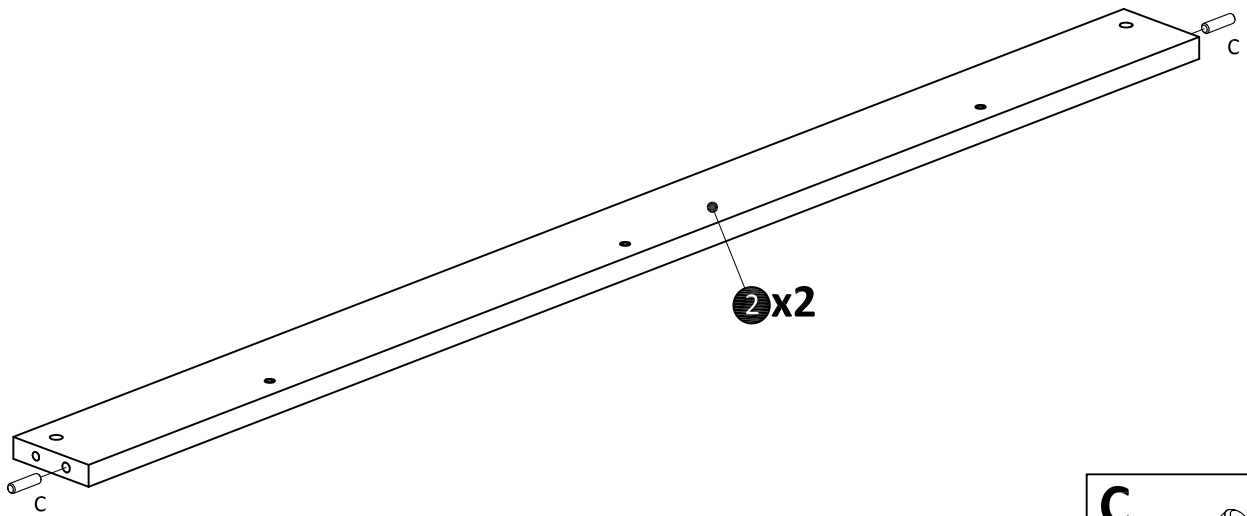
 60 MIN				
---	---	---	---	---

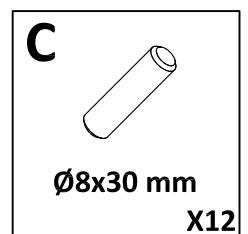
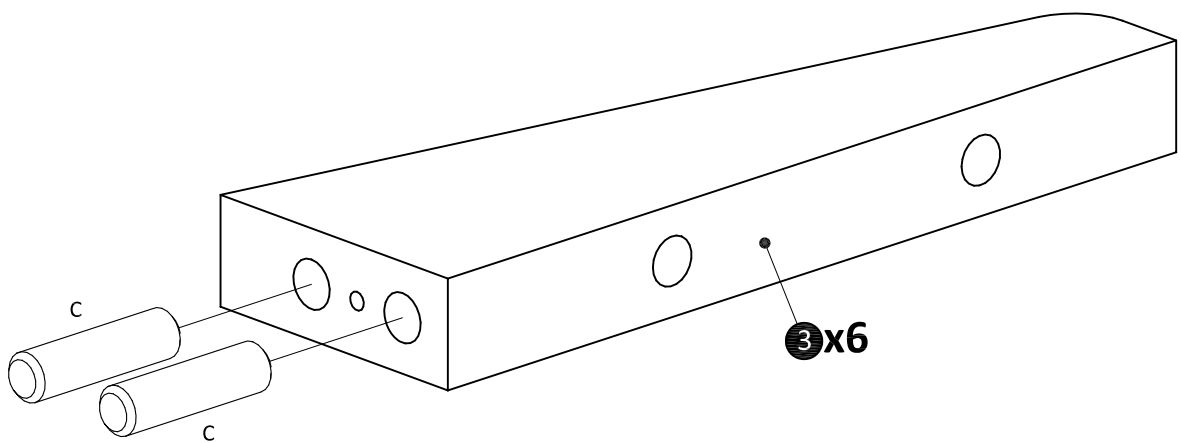


<p>A</p>  <p>M6x60 mm X4</p>	<p>B</p>  <p>M6x25 mm X16</p>	<p>C</p>  <p>Ø8x30 mm X24</p>	<p>D</p>  <p>M6/Ø10x14/5 mm X4</p>	<p>E</p>  <p>4 mm X1</p>	<p>F</p>  <p>Ø15x2 mm X8</p>
<p>G</p>  <p>Ø15x12 mm X4</p>	<p>H</p>  <p>Ø6,1/34 mm X4</p>	<p>J</p>  <p>Ø7/50 mm X4</p>	<p>K</p>  <p>Ø4x35 mm X6</p>		

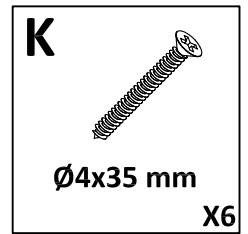
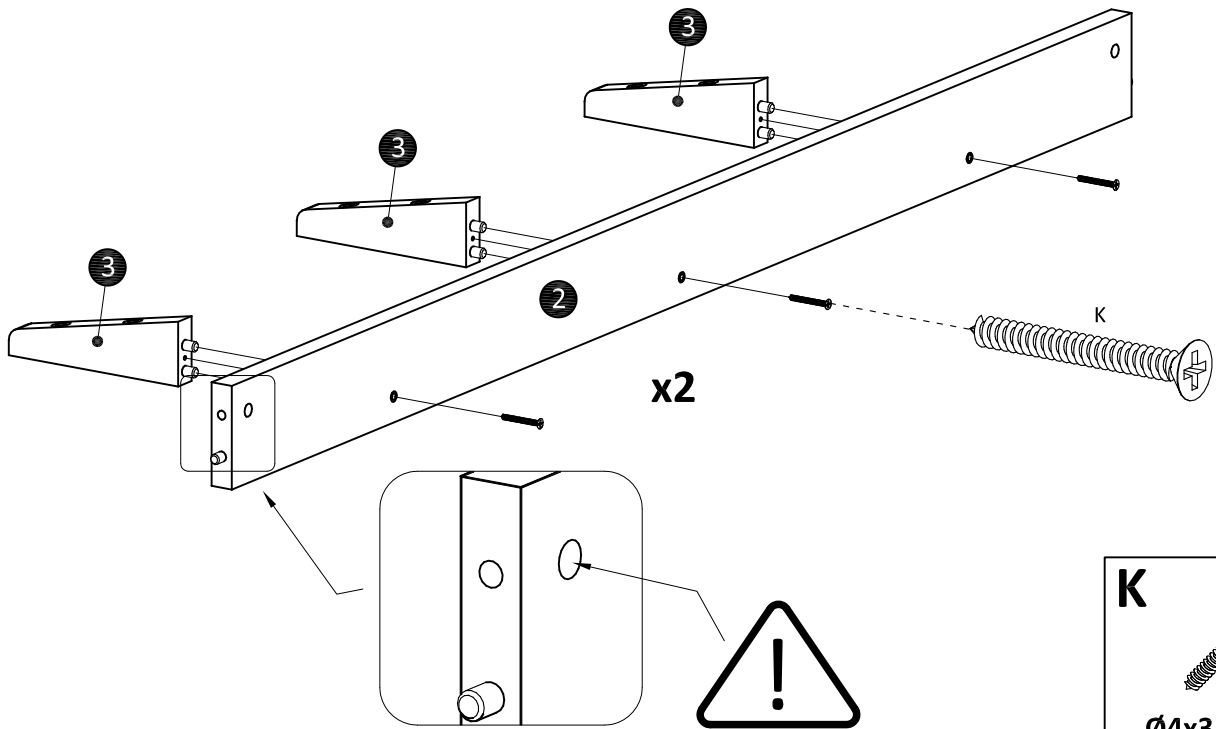
1



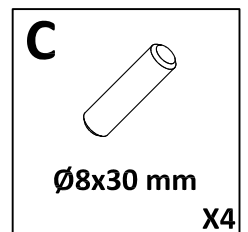
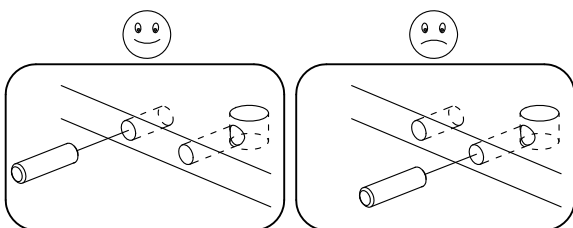
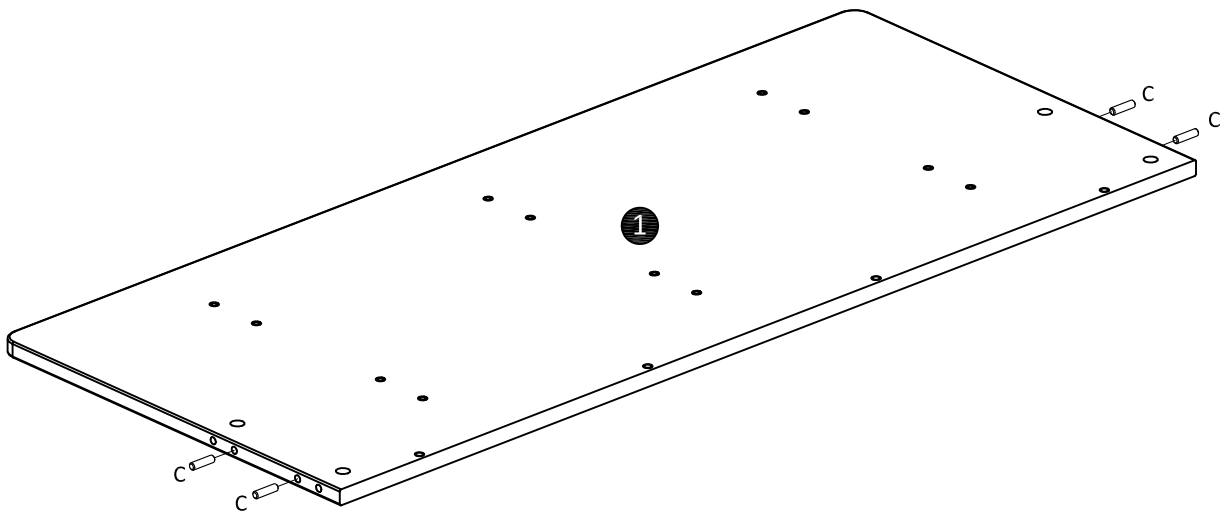
2



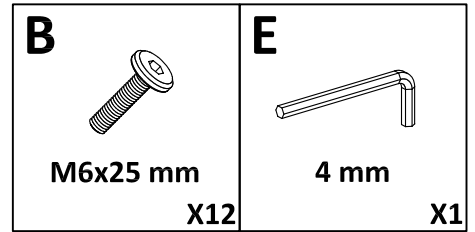
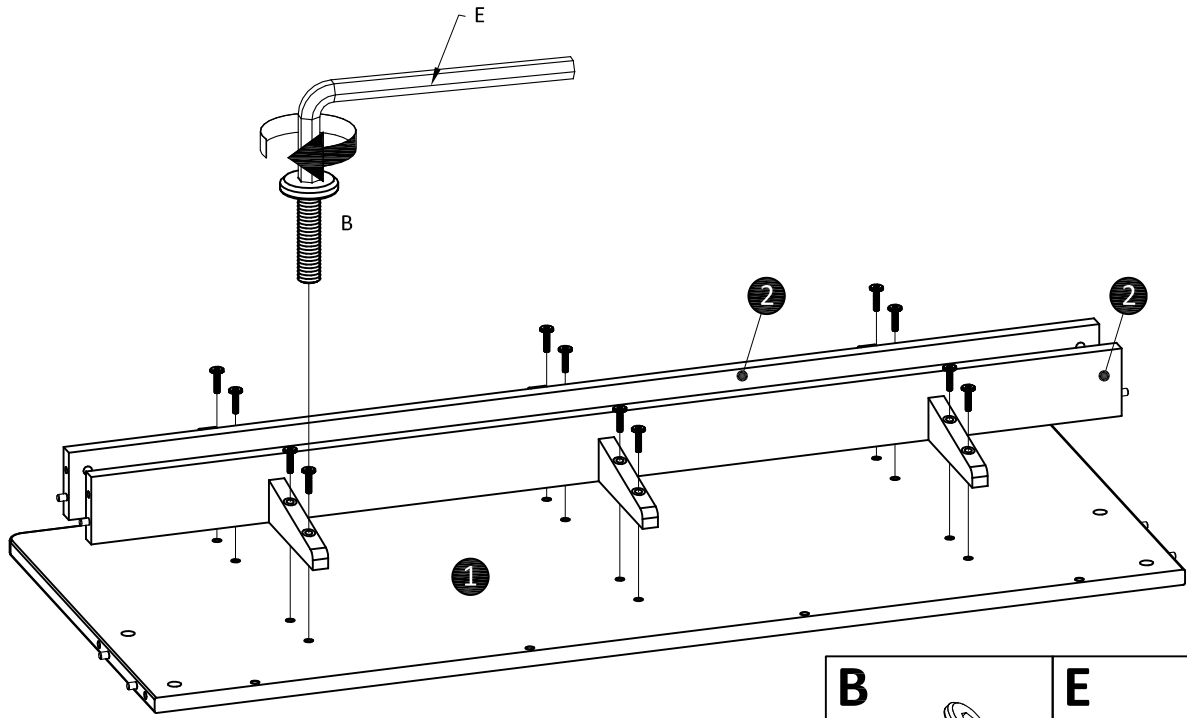
3



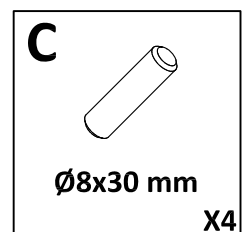
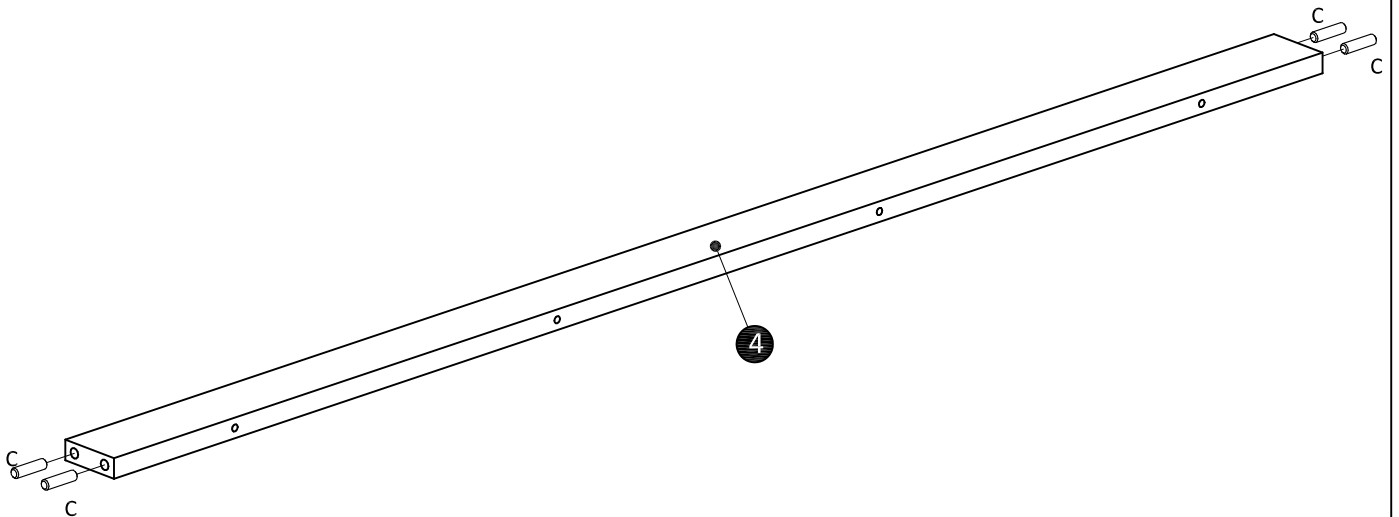
4



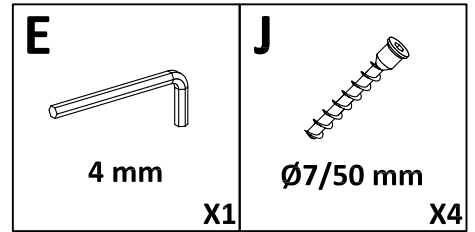
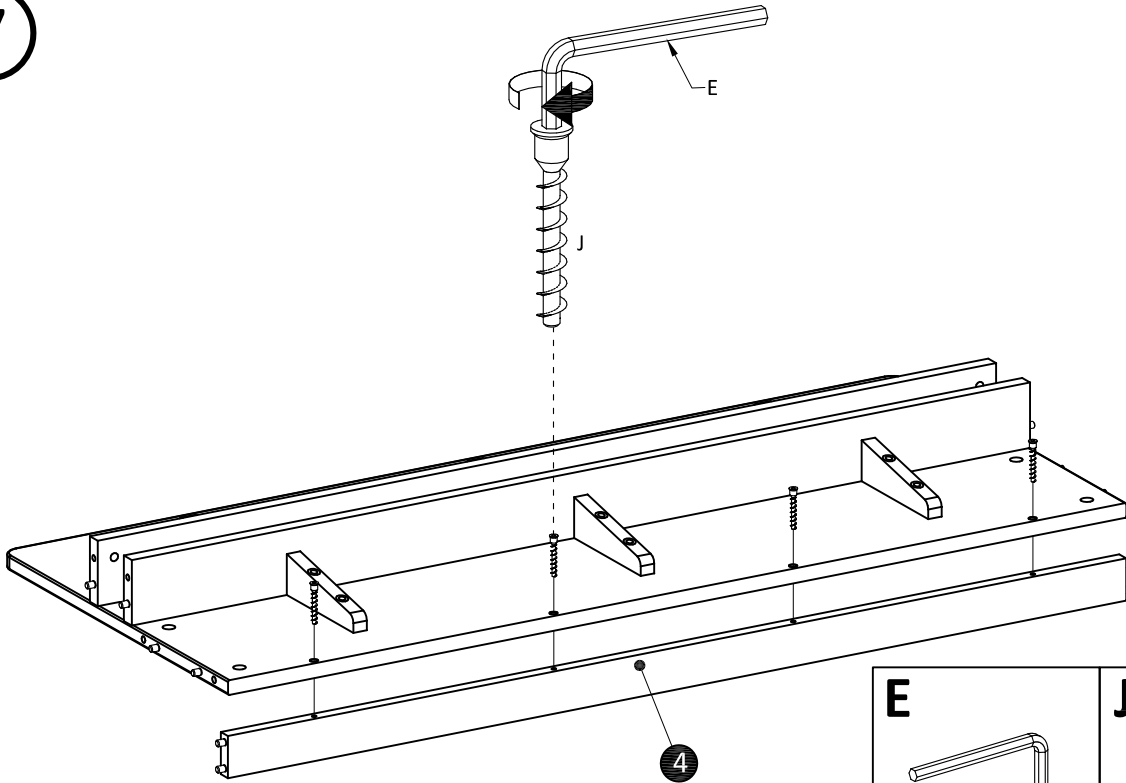
5



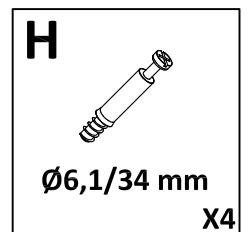
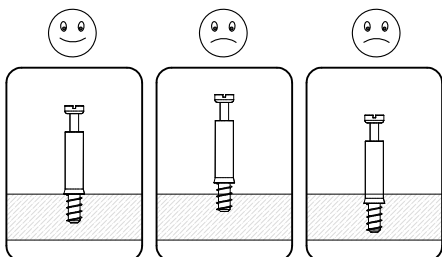
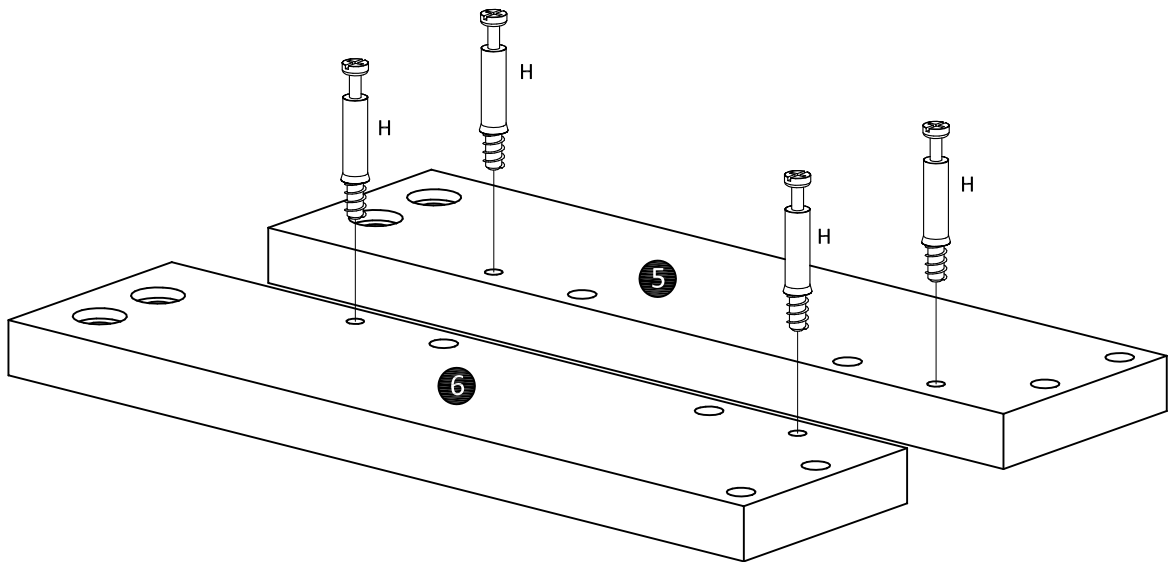
6



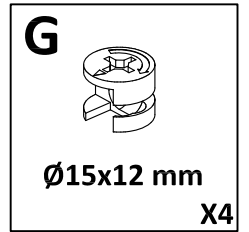
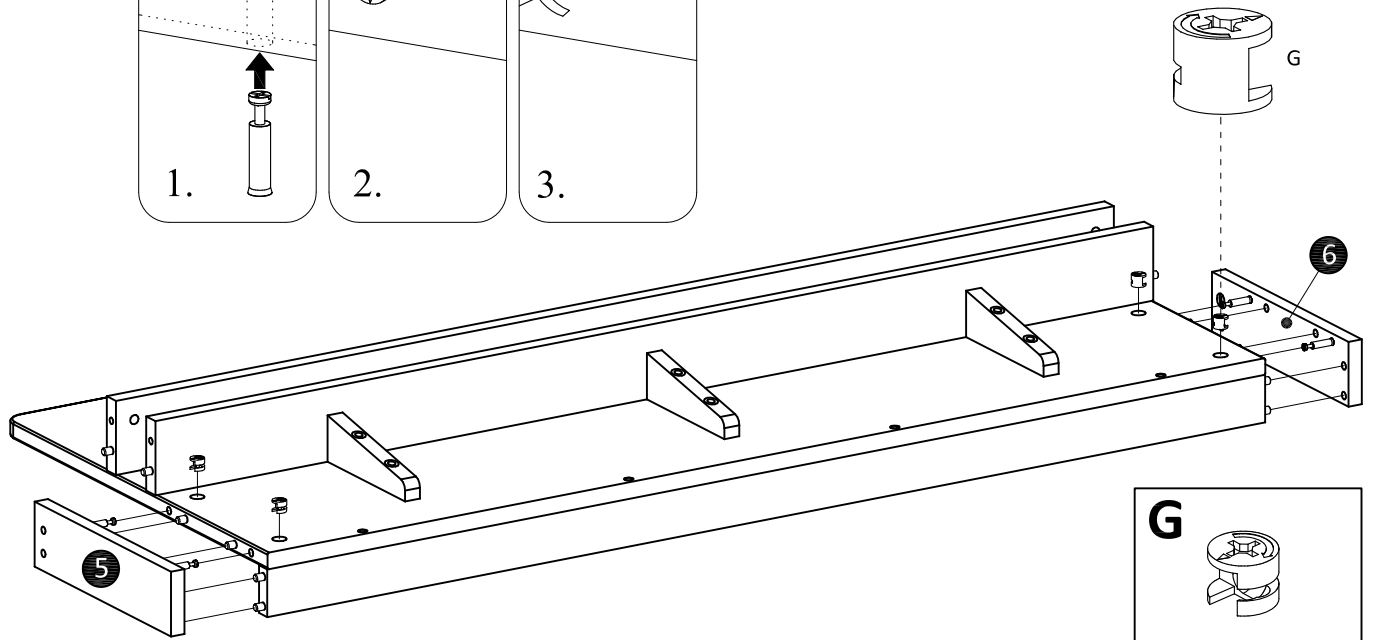
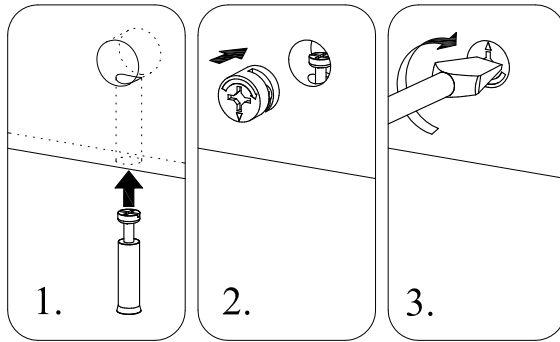
7



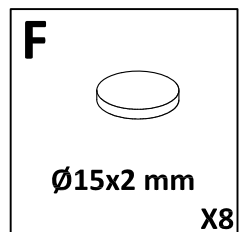
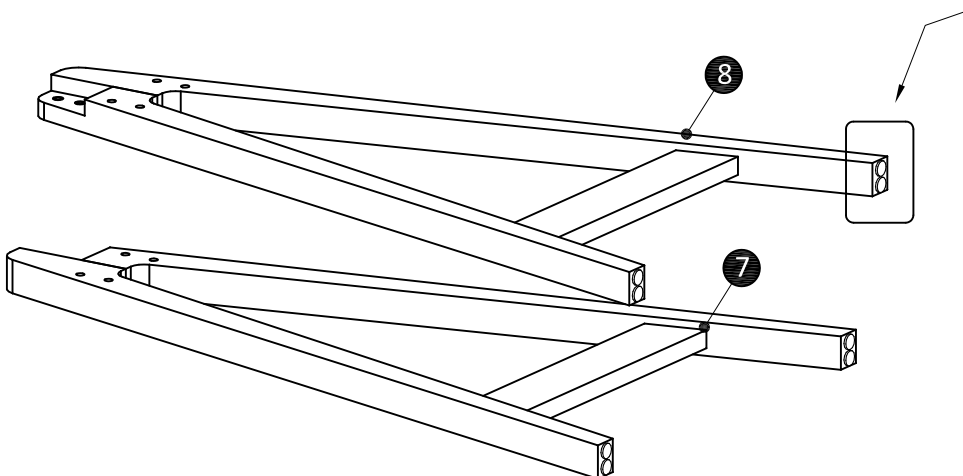
8



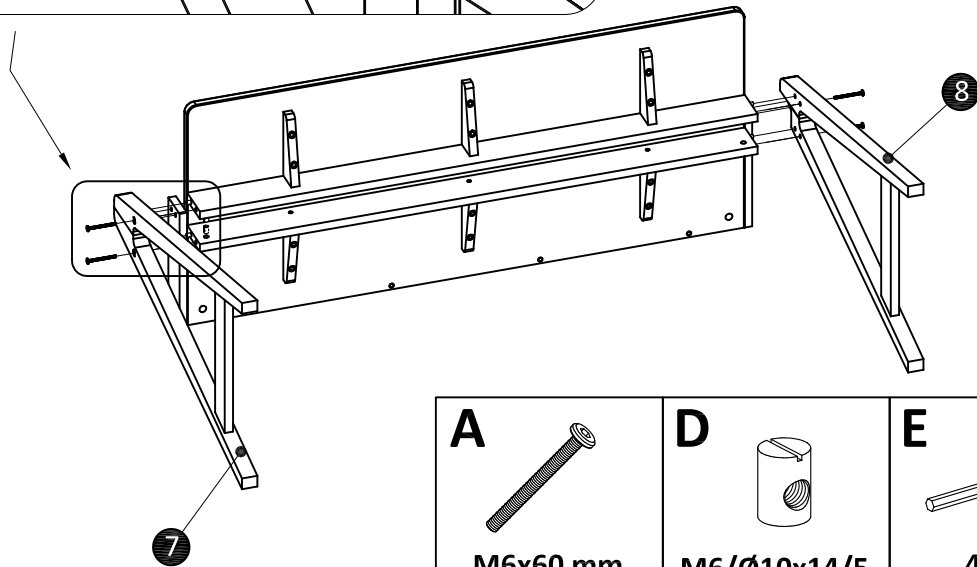
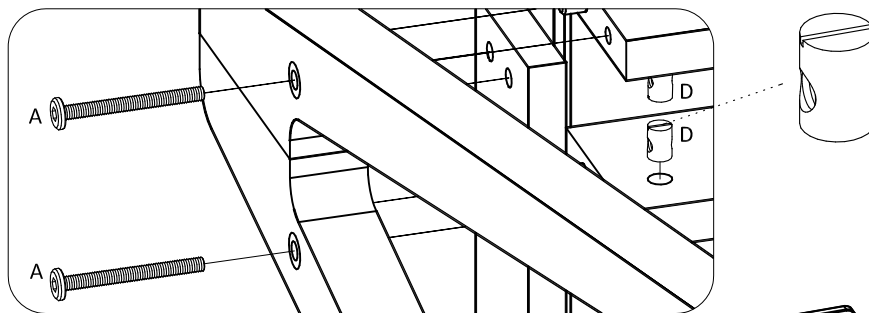
9






10

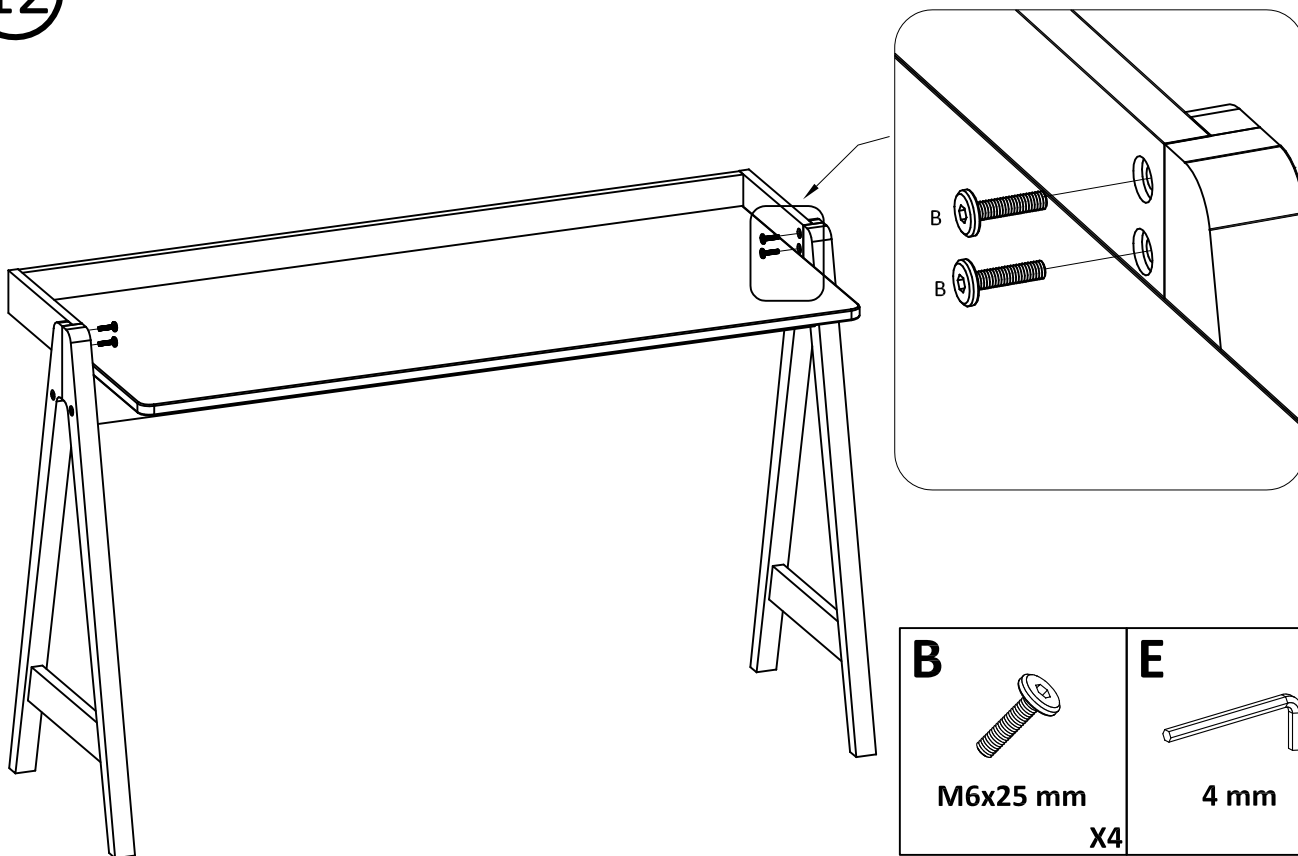




11



A  M6x60 mm X4	D  M6/Ø10x14/5 mm X4	E  4 mm X1
---	---	---

12



B  M6x25 mm X4	E  4 mm X1
---	---