
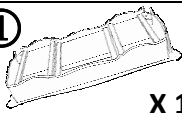

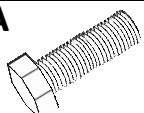


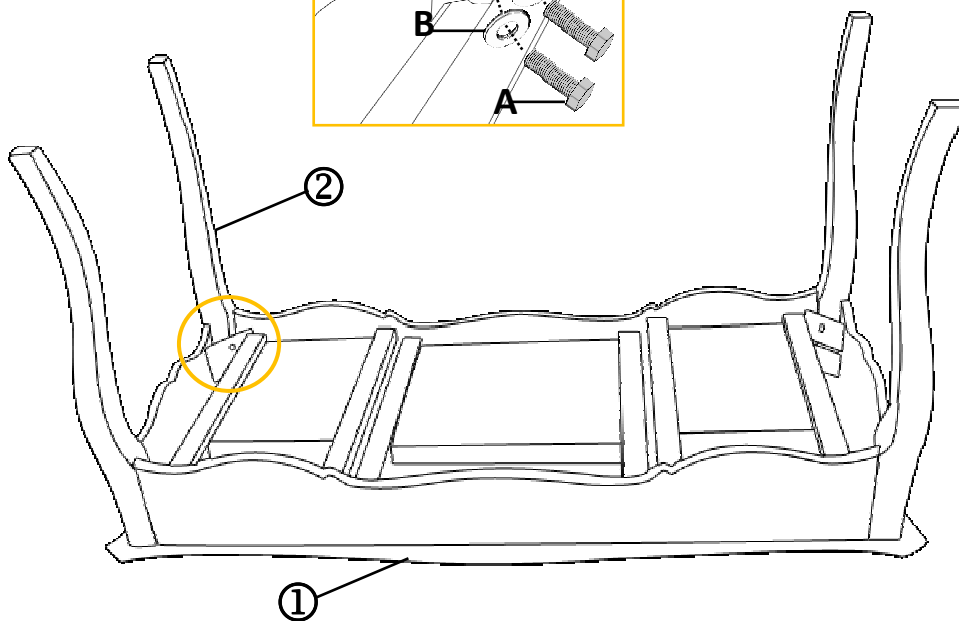
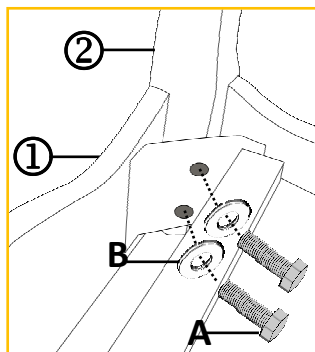
 20 MIN	
①  X 1	②  X 4
A  X 8	B  X 8
	C  X 1

1



2

