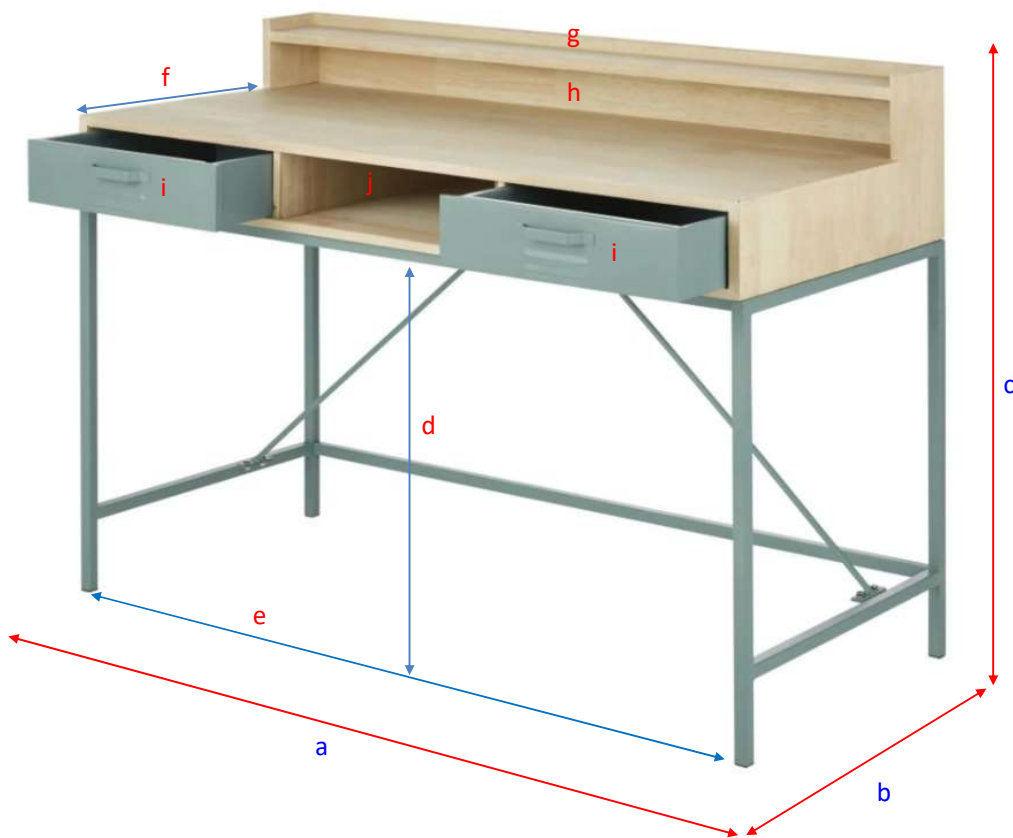


SAFARI

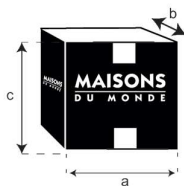
206304



a = 120 cm
b = 56 cm
c = 89 cm

d = 61 cm
e = 116 cm
f = 43 cm

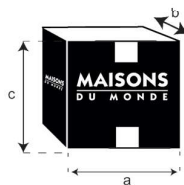
g = 116x11x2 cm
h = 116x11x8 cm
i = 34x39x9,5 cm
j = 39x55,5x10 cm



X 1

a = 132 cm
b = 38 cm
c = 70 cm

= 24 Kg



X 1

a = 71 cm
b = 18 cm
c = 65 cm

= 4 Kg