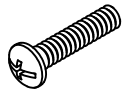
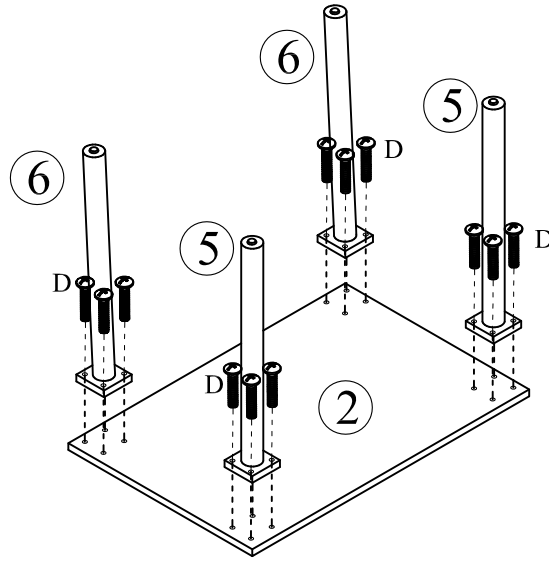


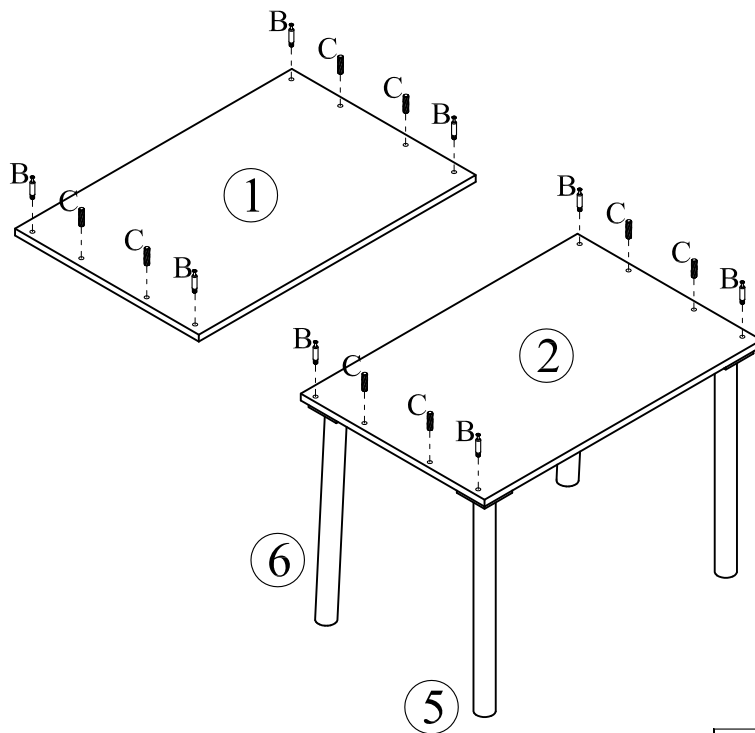
1



D x 16

A

2

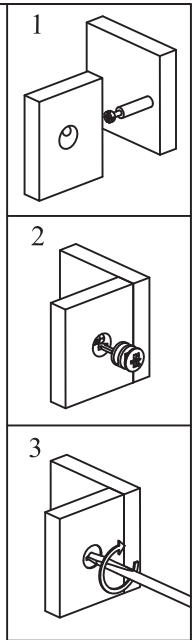
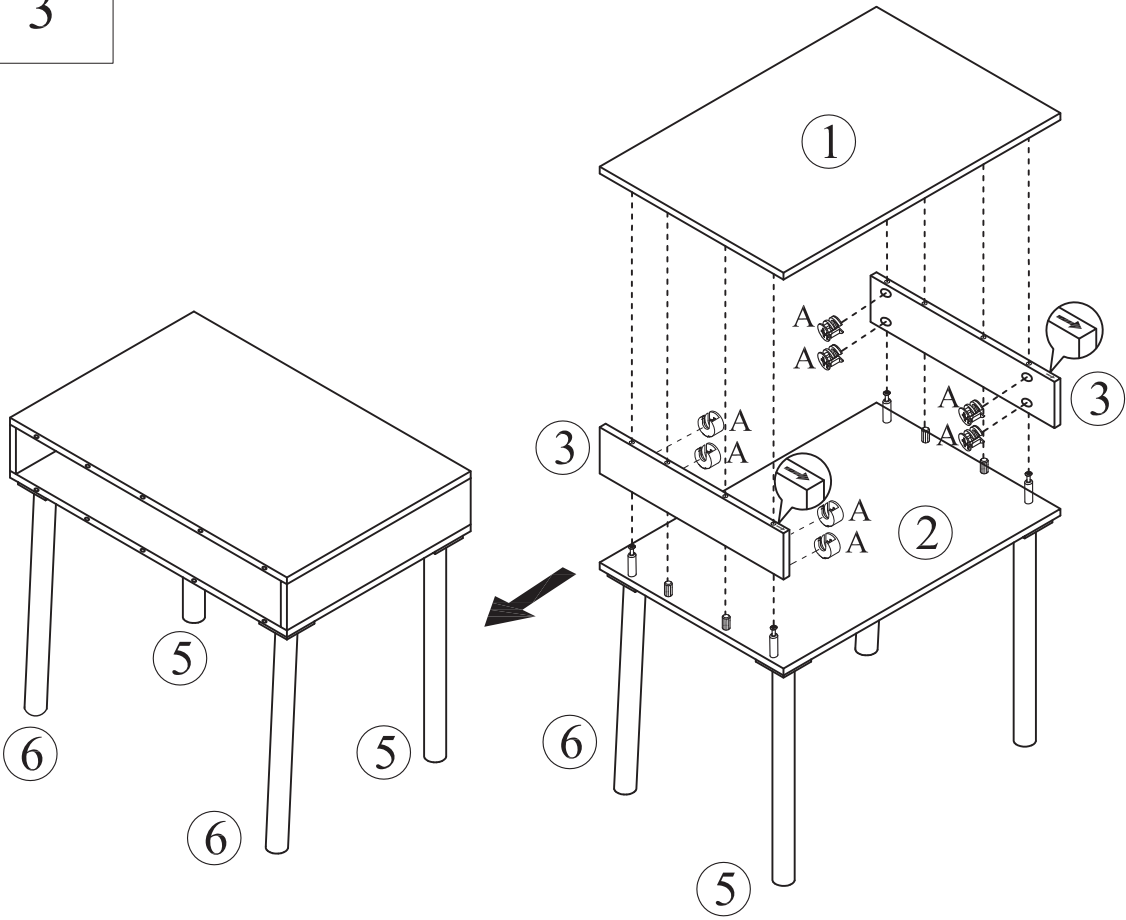


B x 8



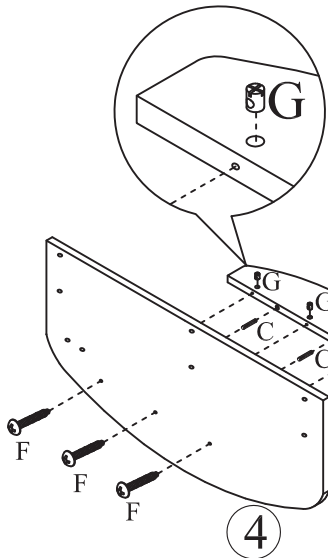
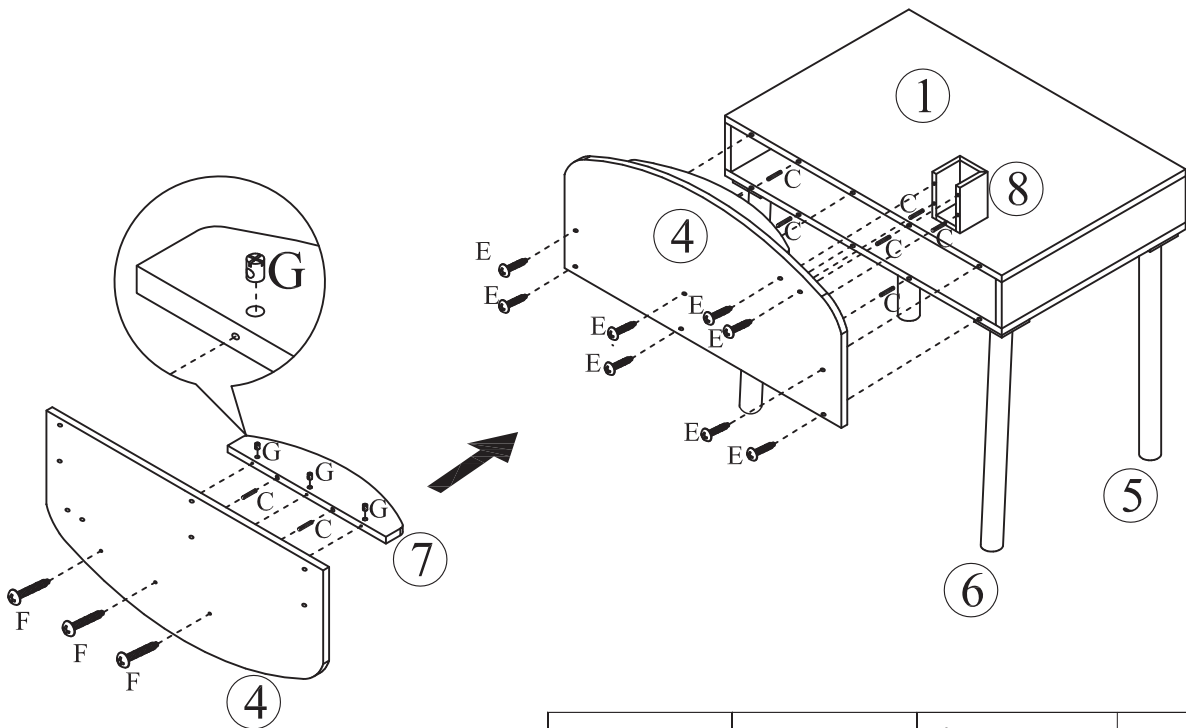
C x 8

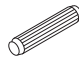



3




A x 8

4



			
C x 8	E x 8	F x 3	G x 3