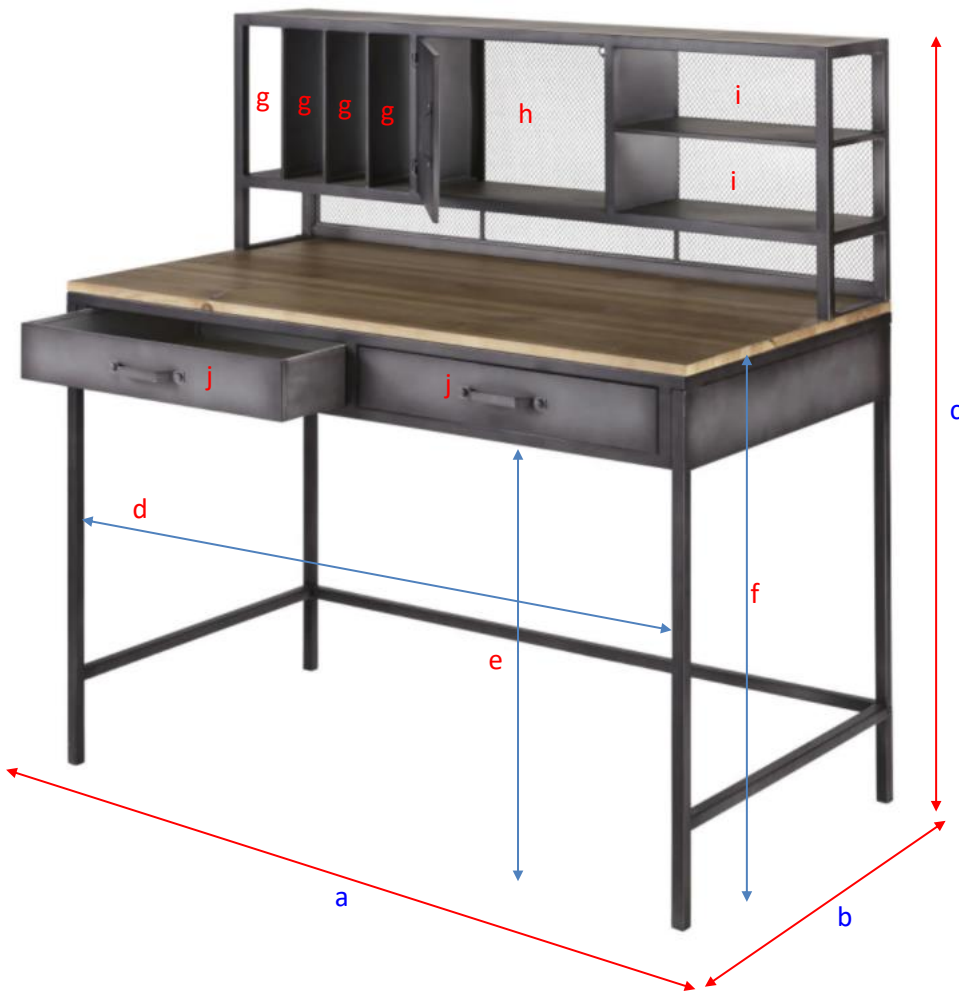


GAMER

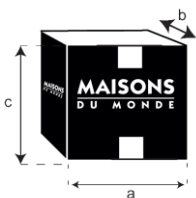
206367



a = 110 cm
b = 62 cm
c = 119 cm

d = 106 cm
e = 63 cm
f = 78 cm

g = 8x19x25,5 cm
h = 34,519x25,5 cm
i = 33,519x25,5 cm
j = 48x39x8 cm



X 1

a = 119 cm
b = 51 cm
c = 71 cm

= 32 Kg