





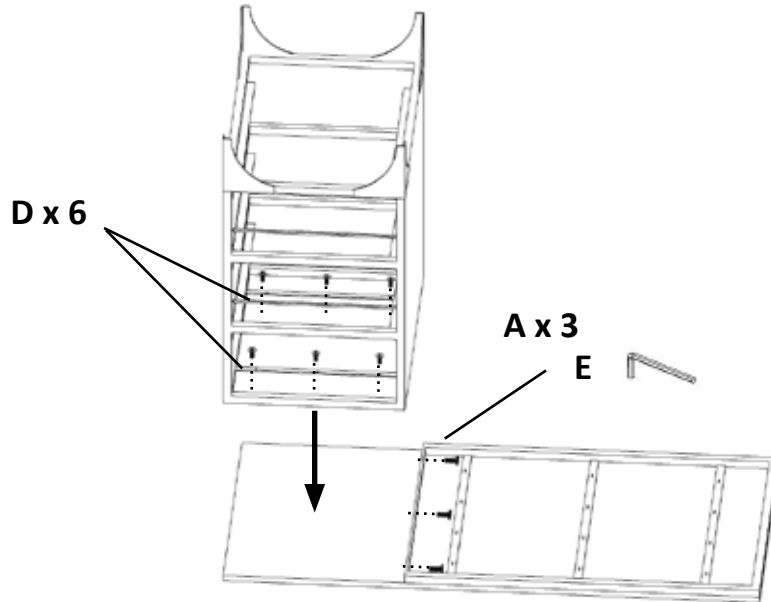





<p>A</p>  <p>8X20mm X8</p>	<p>B</p>  <p>8X30mm X1</p>	<p>C</p>  <p>6X16mm X2</p>	<p>D</p>  <p>4X16mm X6</p>
--	--	--	--

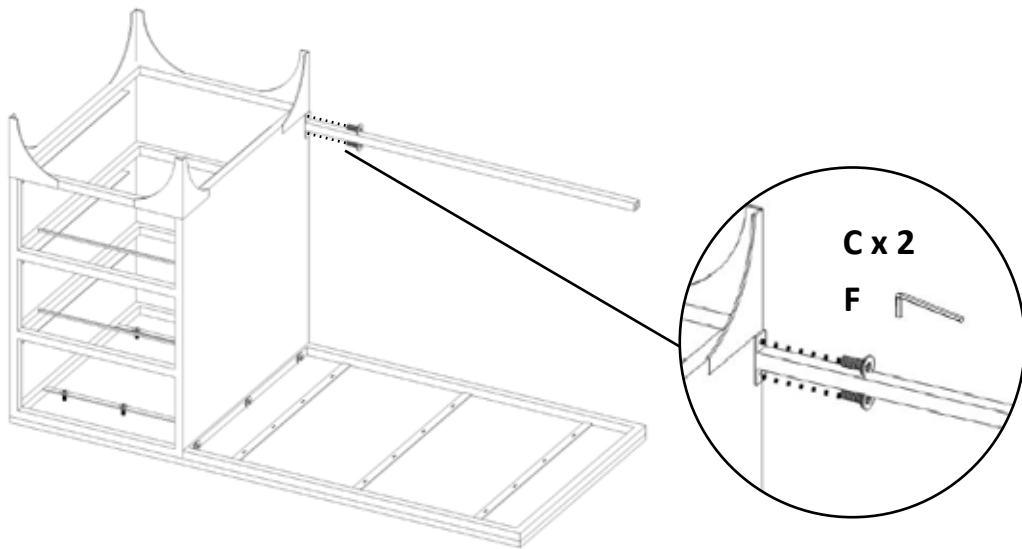
<p>E</p>  <p>5mm X1</p>	<p>F</p>  <p>4mm X1</p>
---	---



1



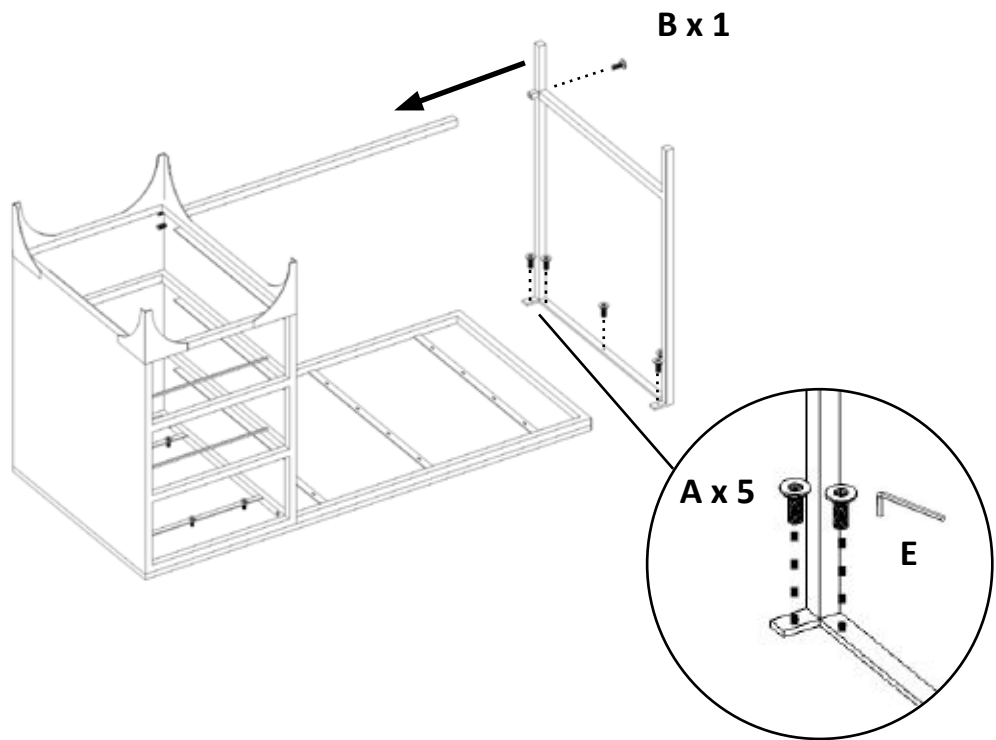
D  4X16mm X6	A  8X20mm X3	E  5mm X1
---	--	---




2



C  6X16mm X2	F  4mm X1
--	---

3



A  8X20mm X5	B  8X30mm X1	E  5mm X1
--	--	--

4

