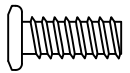

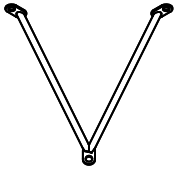
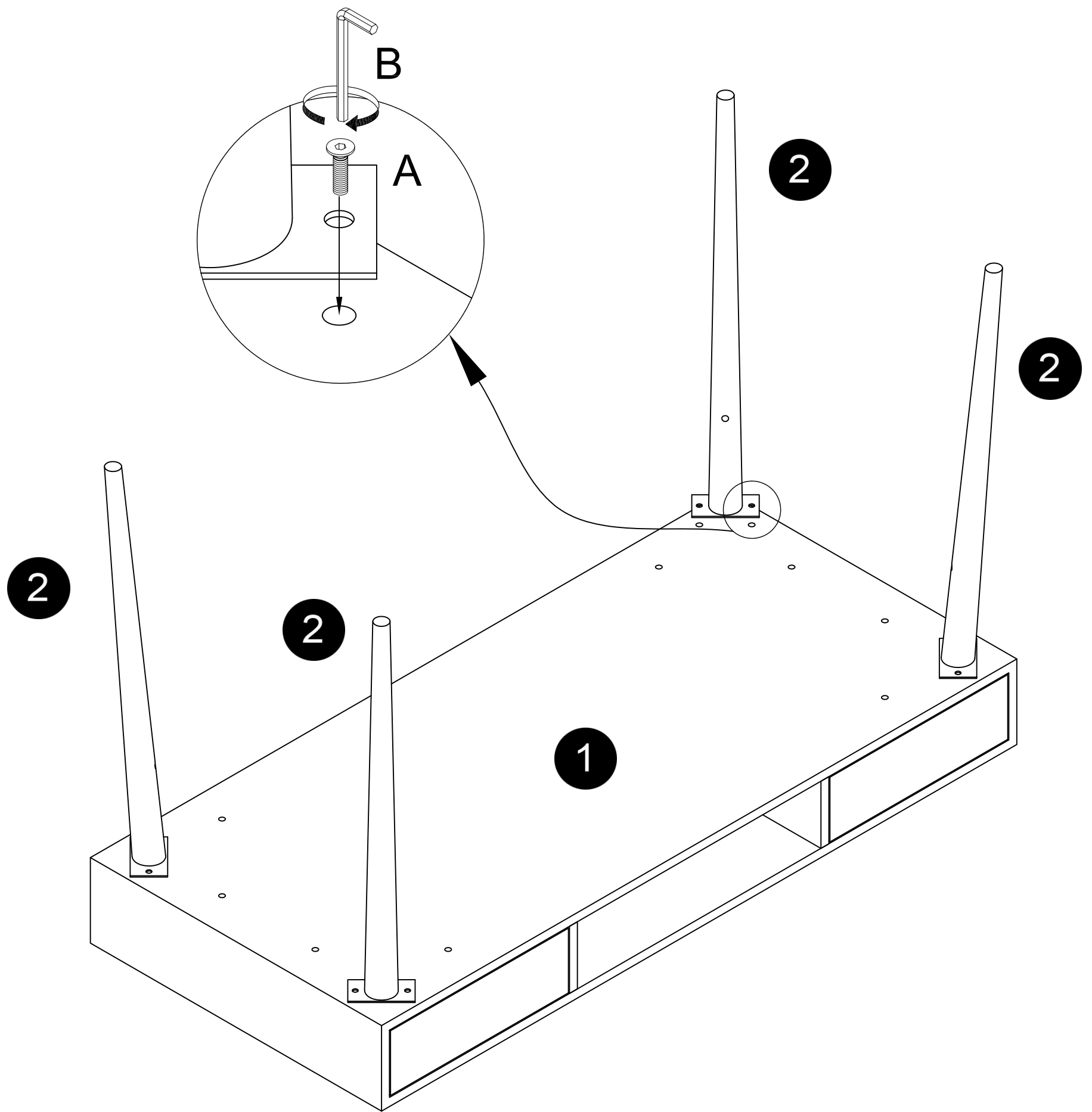
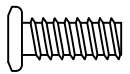



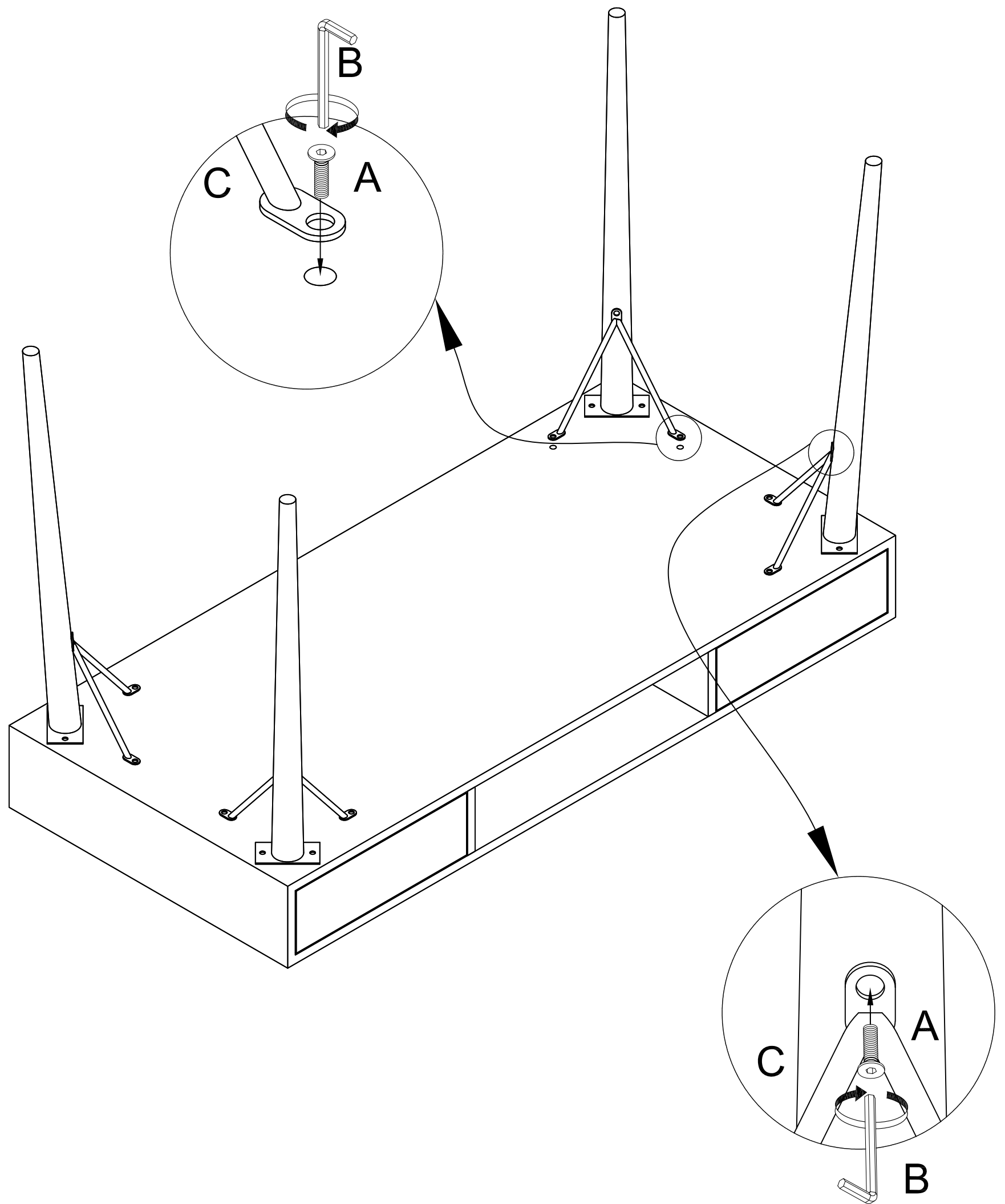
<p>A Ø6 *15mm</p>  <p>X 20</p>	<p>B M4 *100</p>  <p>X1</p>	<p>C</p>  <p>X4</p>
--	---	--

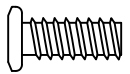

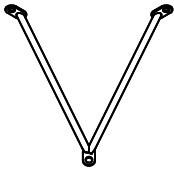
1



A Ø6 *15mm  X 8	B M4 *100  X 1
---	--

2



A Ø6 *15mm  X 12	B M4 *100  X1	C  X4
--	---	--

3

