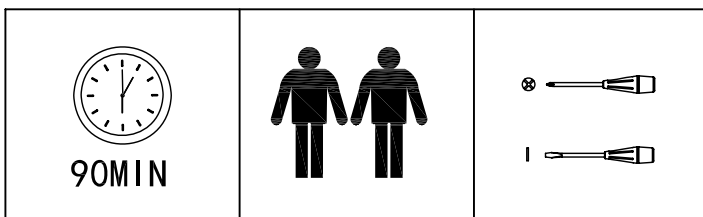
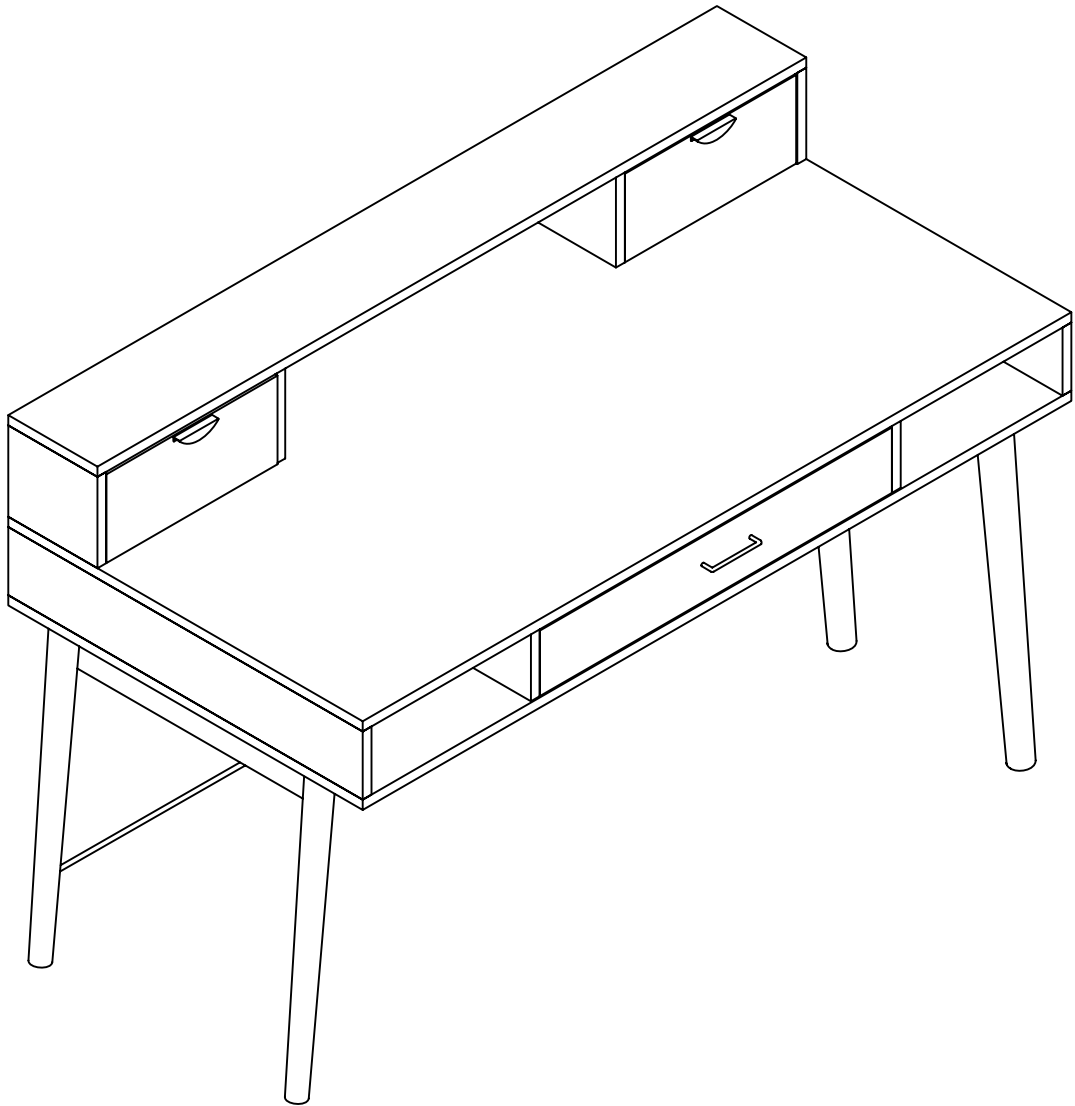
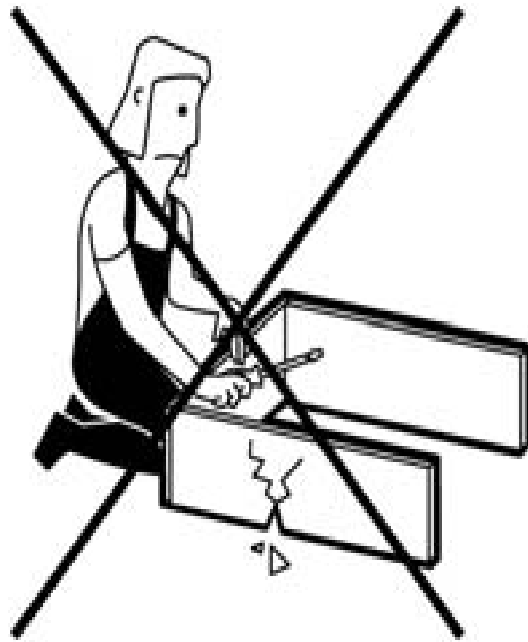


# PENELOPE

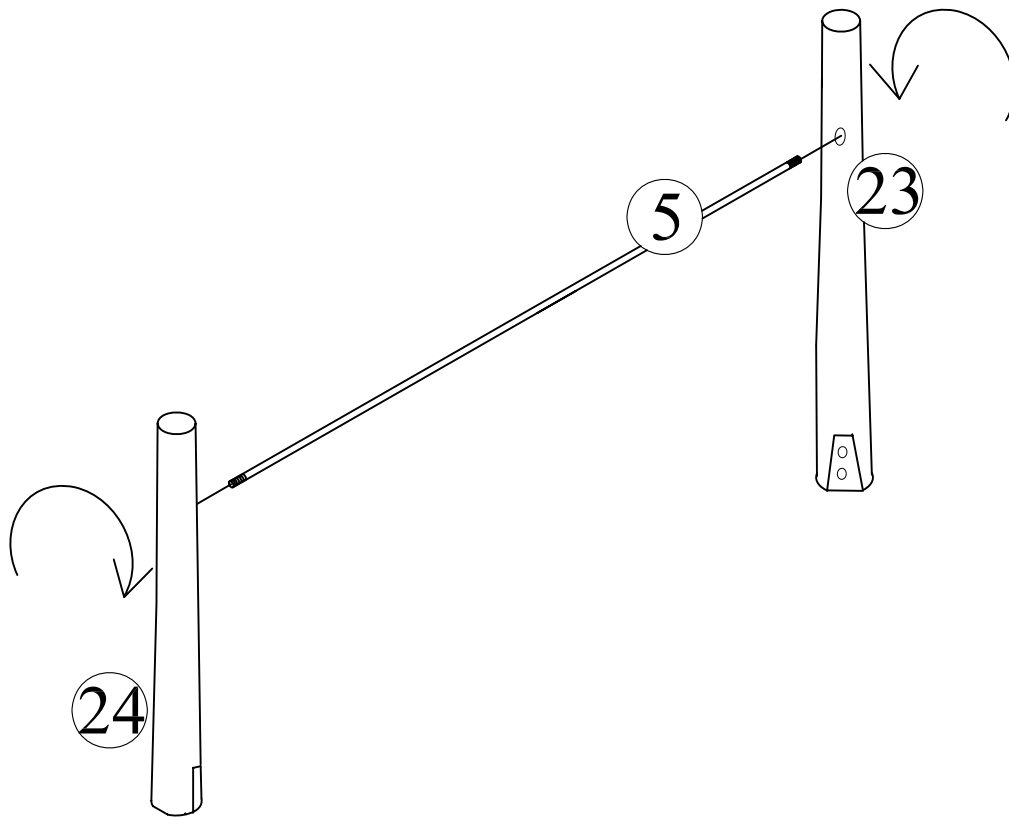
187 469



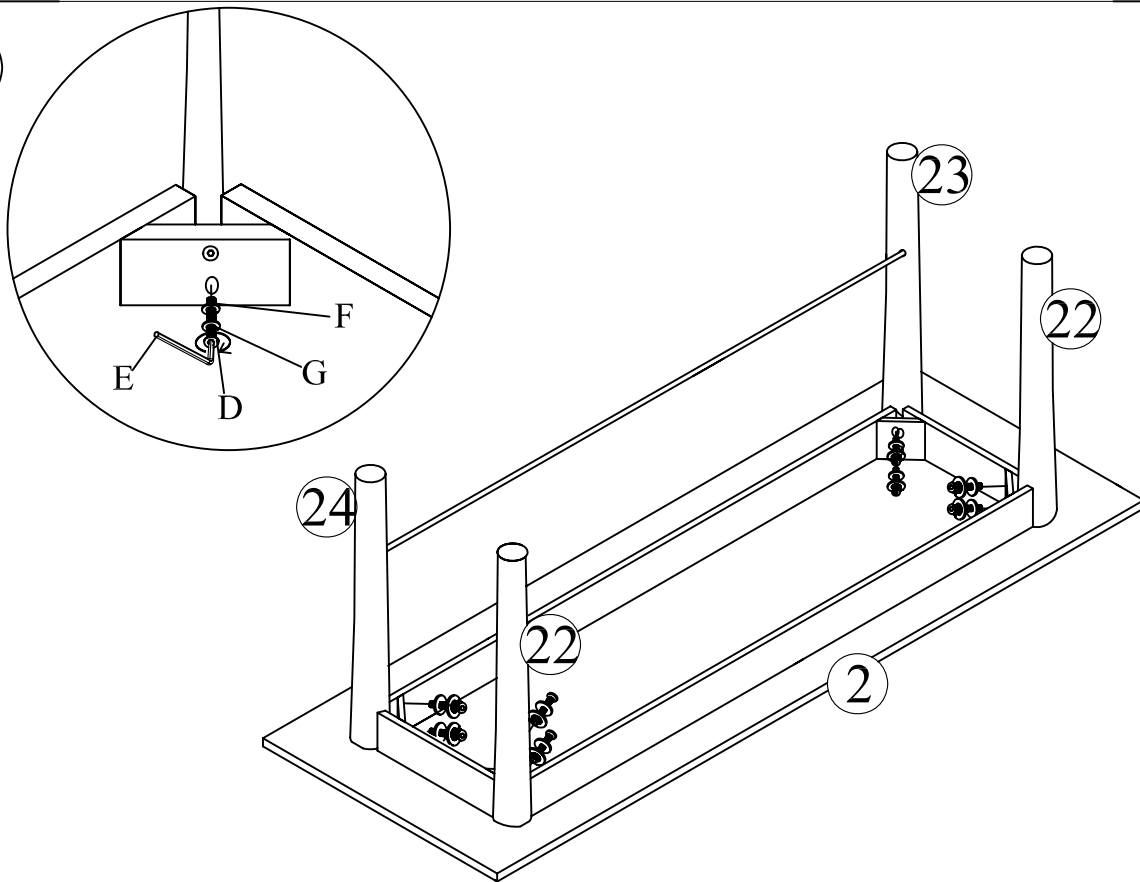


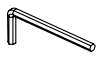





1

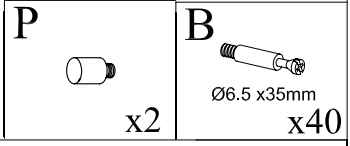
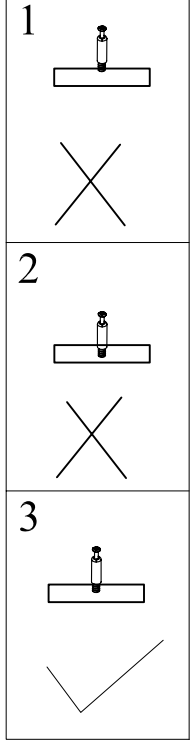
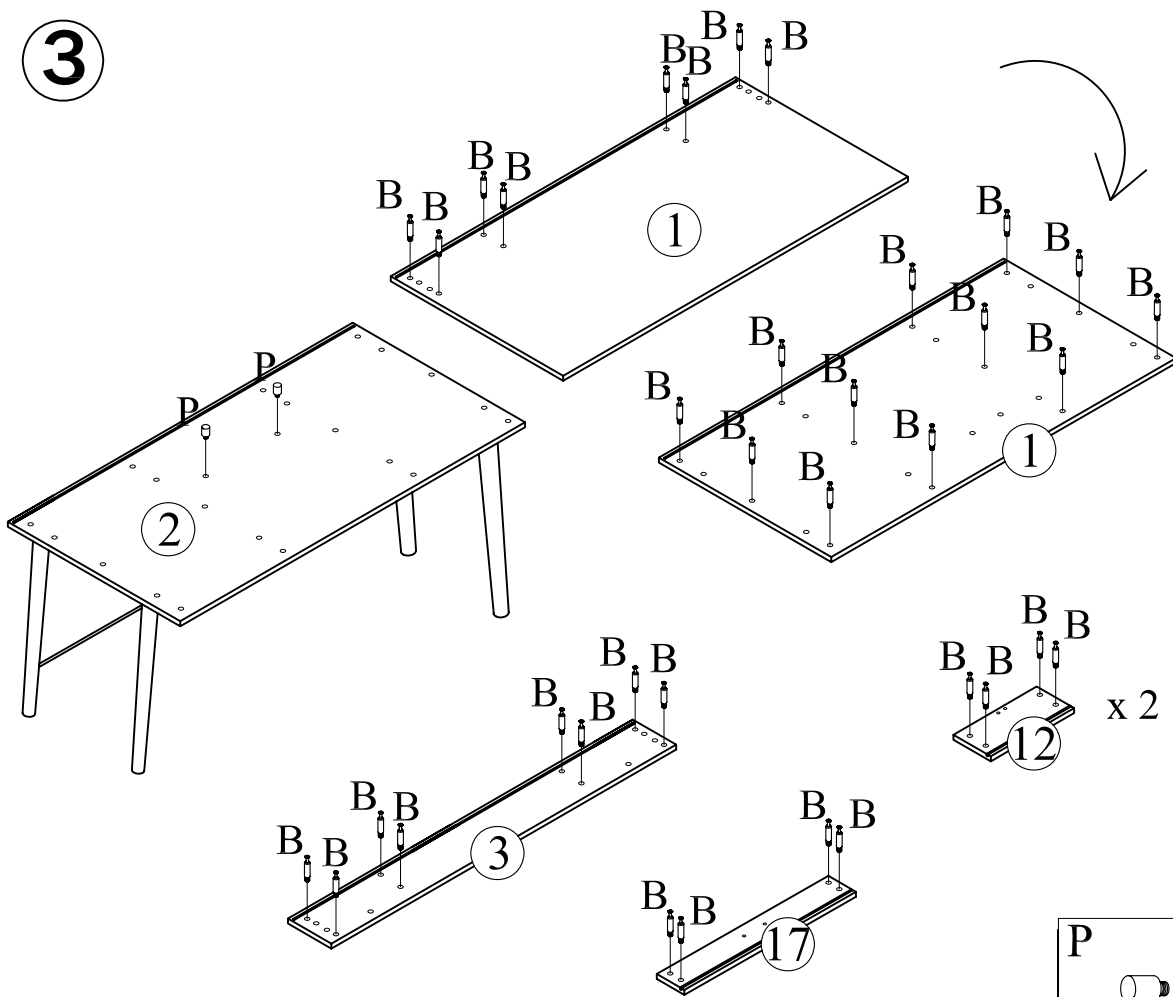


2

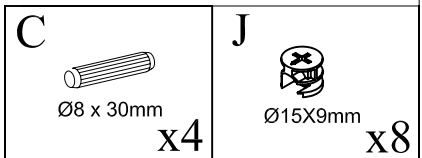
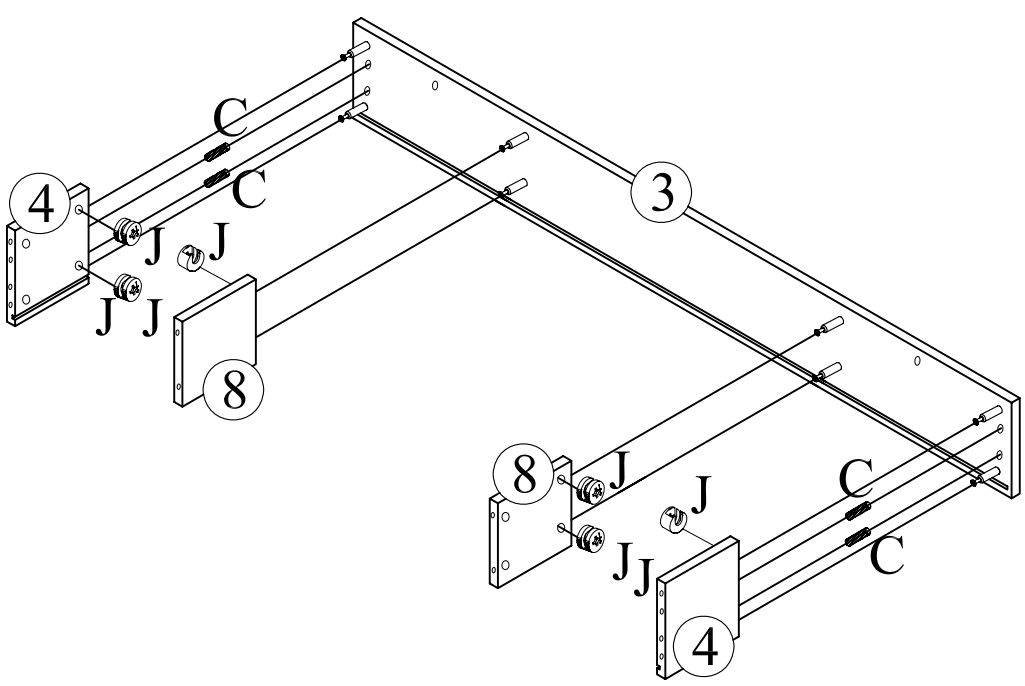


E  x1	G  Ø6mm x8	F  Ø6mm x8	D  Ø6X60mm x8
--	---	--	---

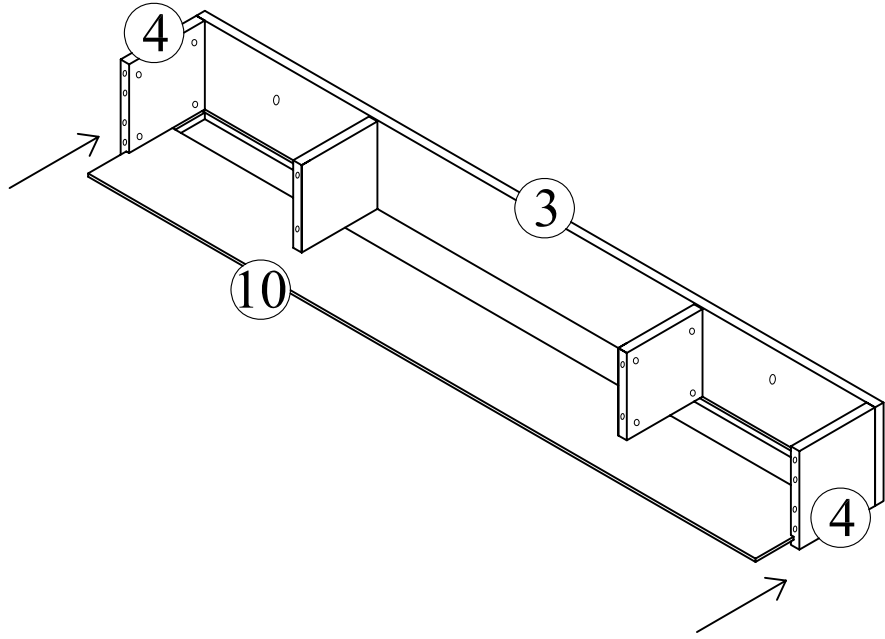
3



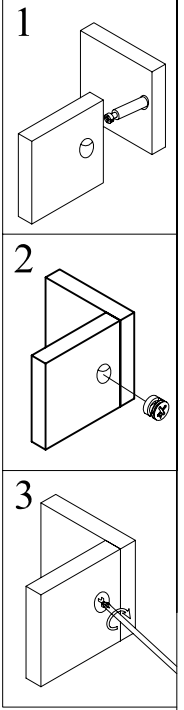
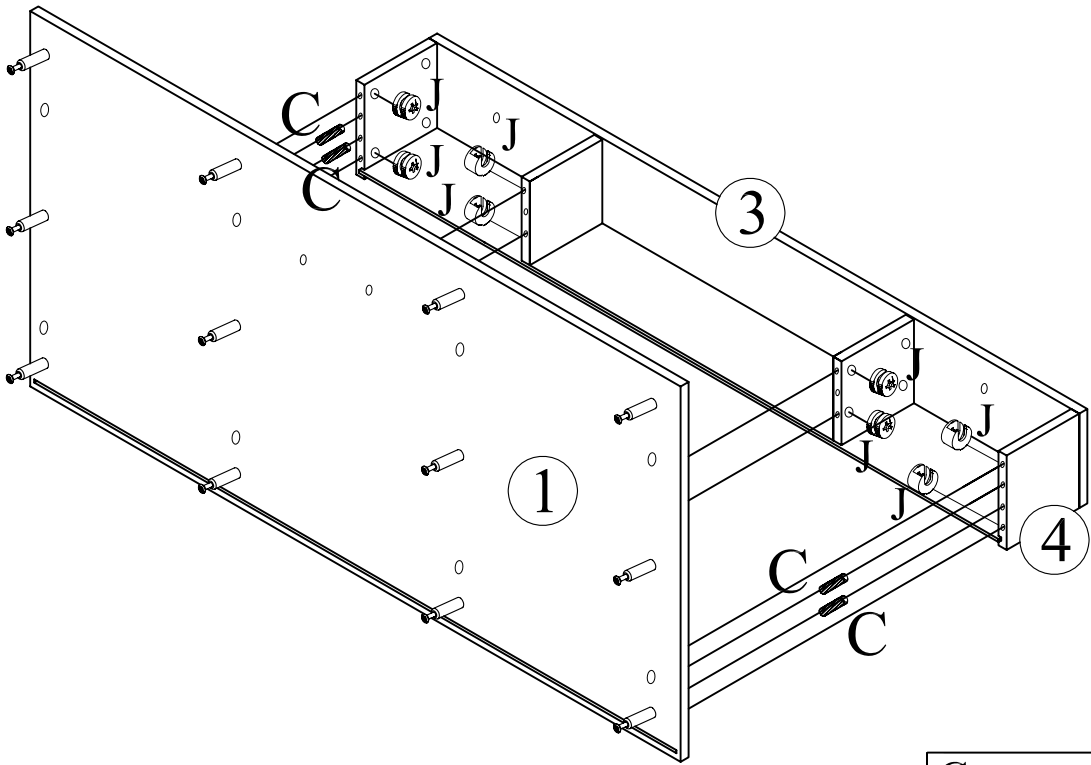
4

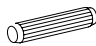



5

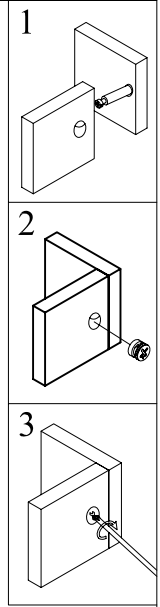
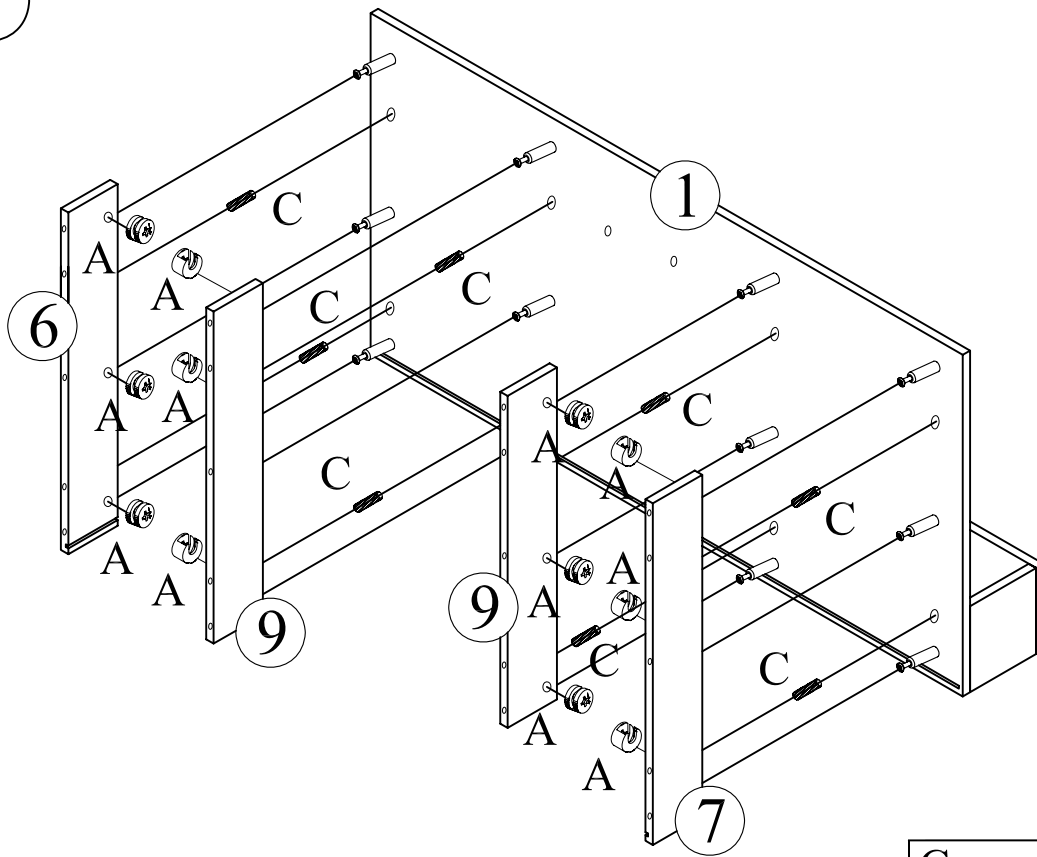


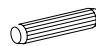

6



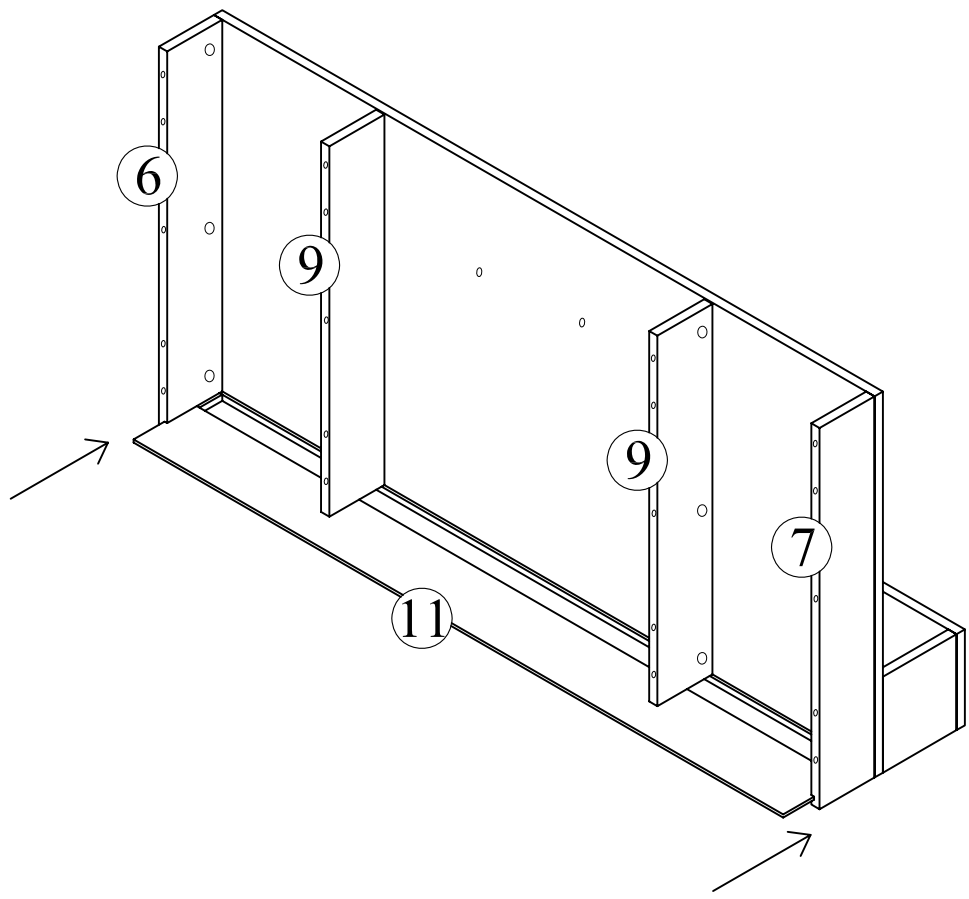
<b>C</b>  Ø8 x 30mm x4	<b>J</b>  Ø15X9mm x8
--	--

7

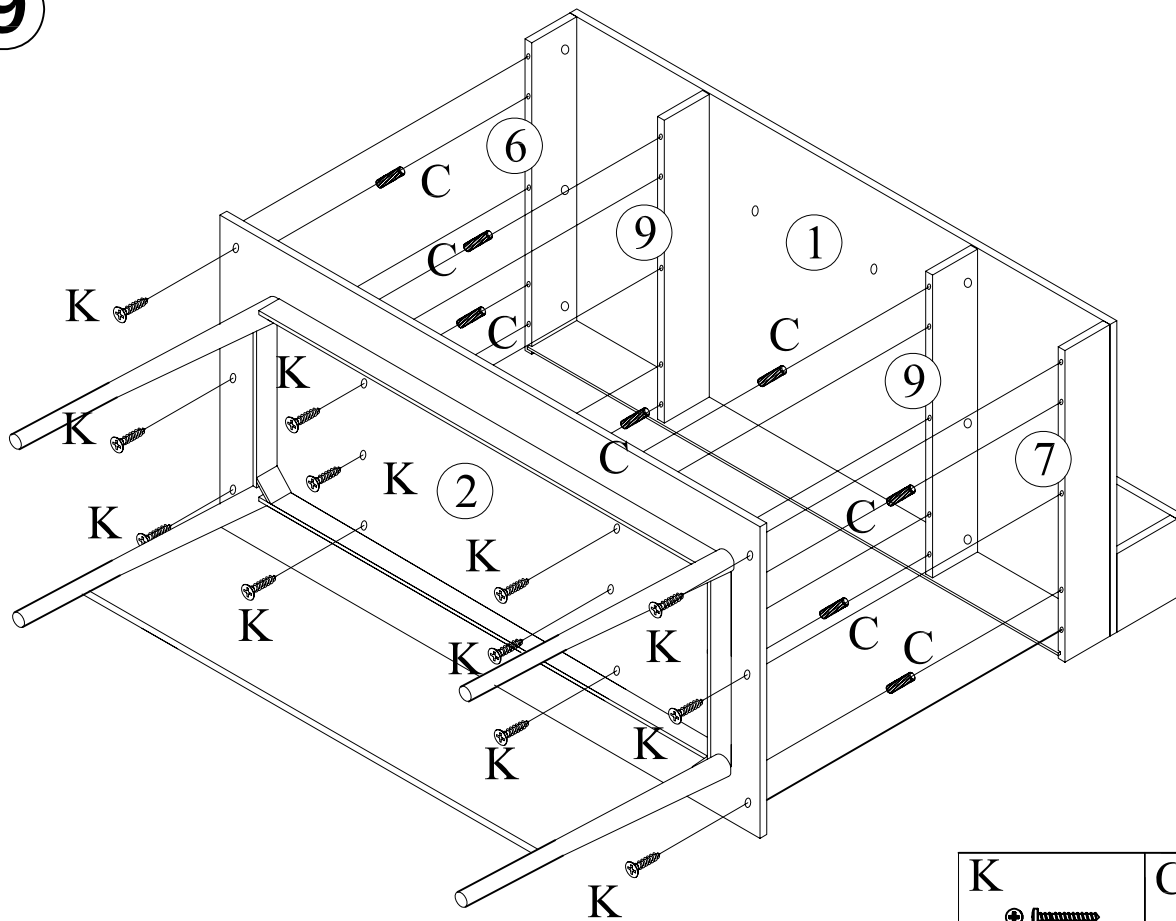



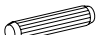
<b>C</b>  Ø8 x 30mm x8	<b>A</b>  Ø15X12mm x12
---	---

8

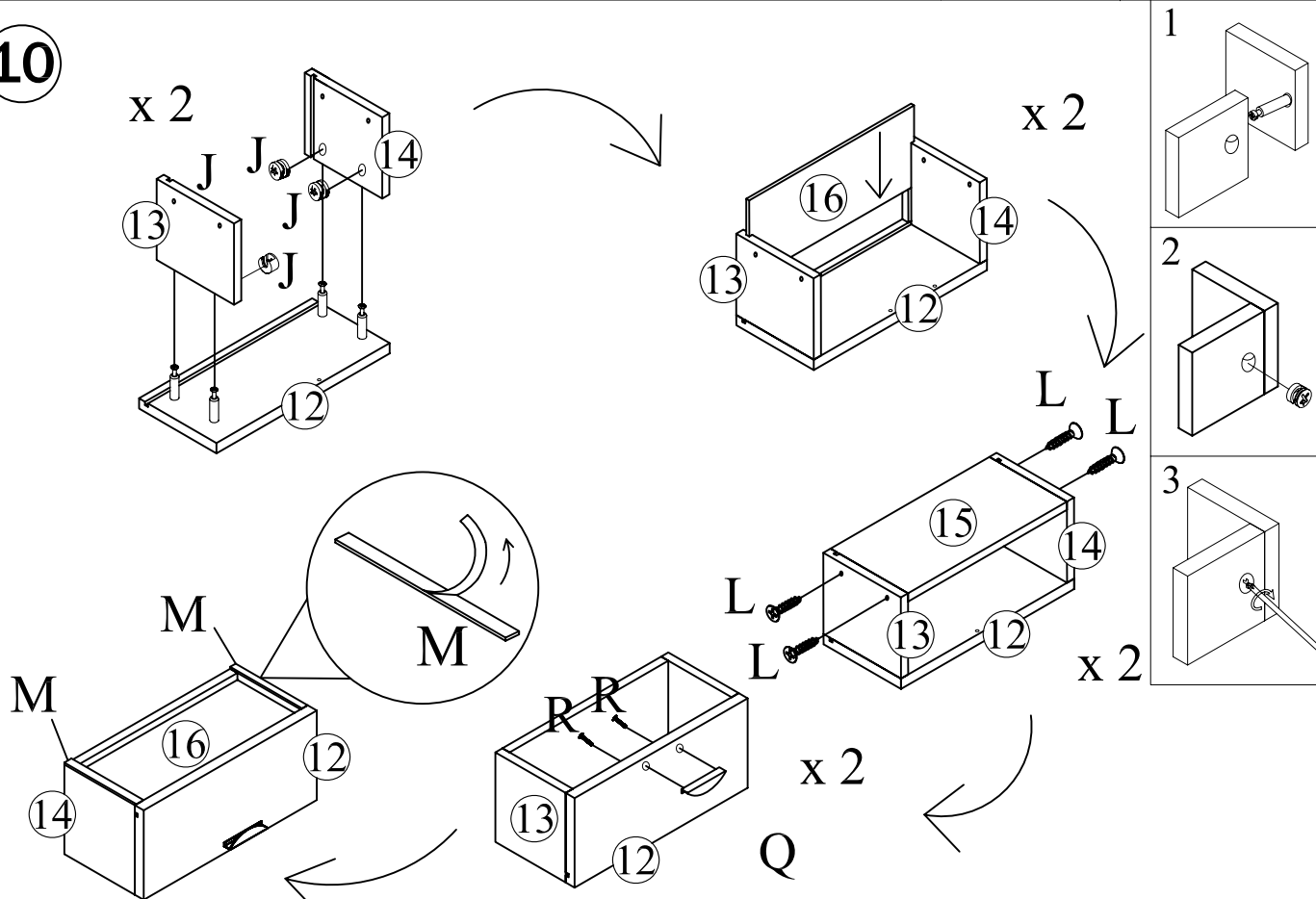




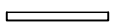


9



<b>K</b>	<b>C</b>
	
Ø4 x 35mm x12	Ø8 x 30mm x8

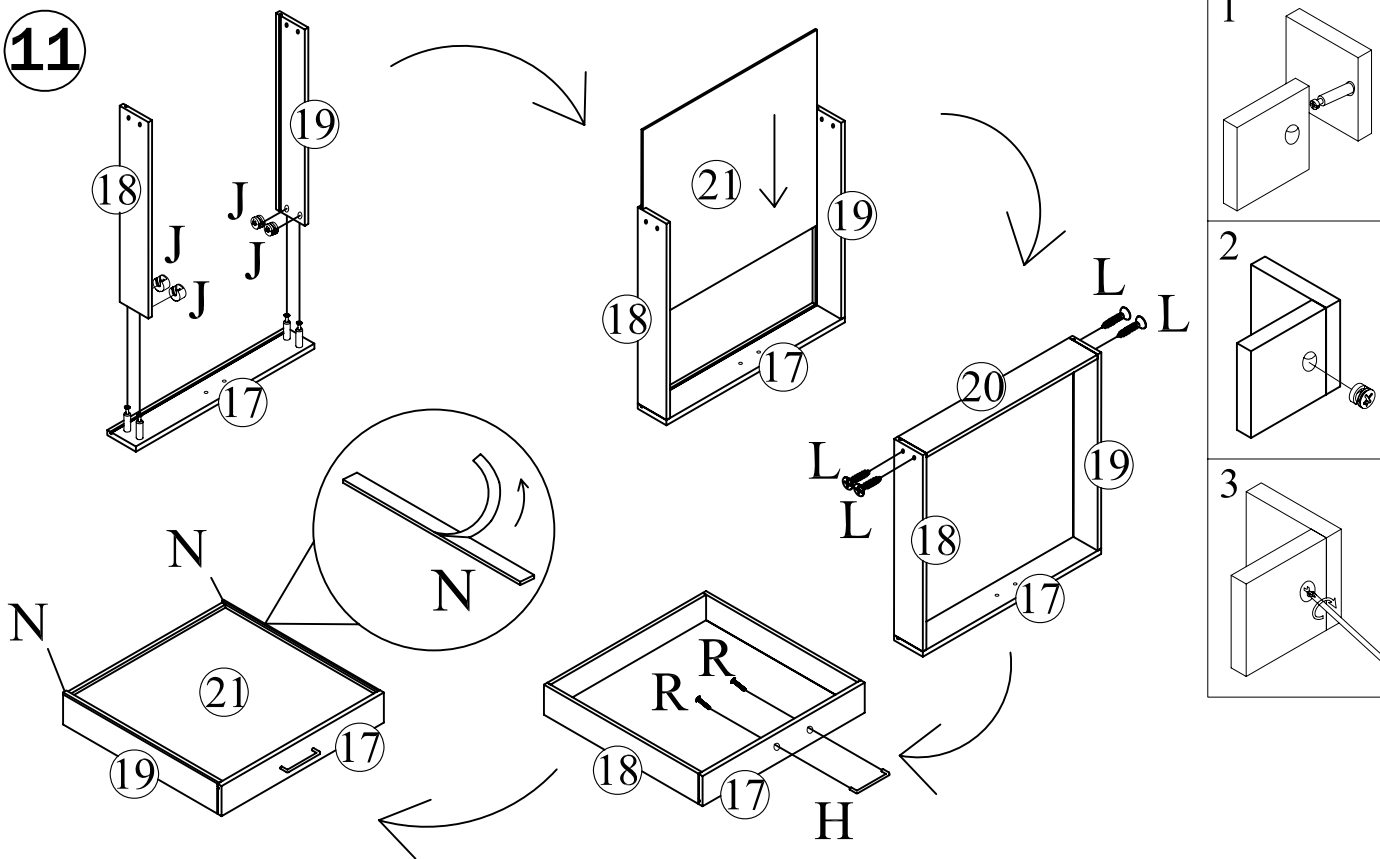
10

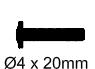
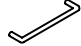

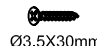



<b>R</b>	<b>Q</b>	<b>M</b>	<b>L</b>	<b>J</b>
				
Ø4 x 20mm x4	x2	x4	Ø3.5x30mm x8	Ø15x9mm x8

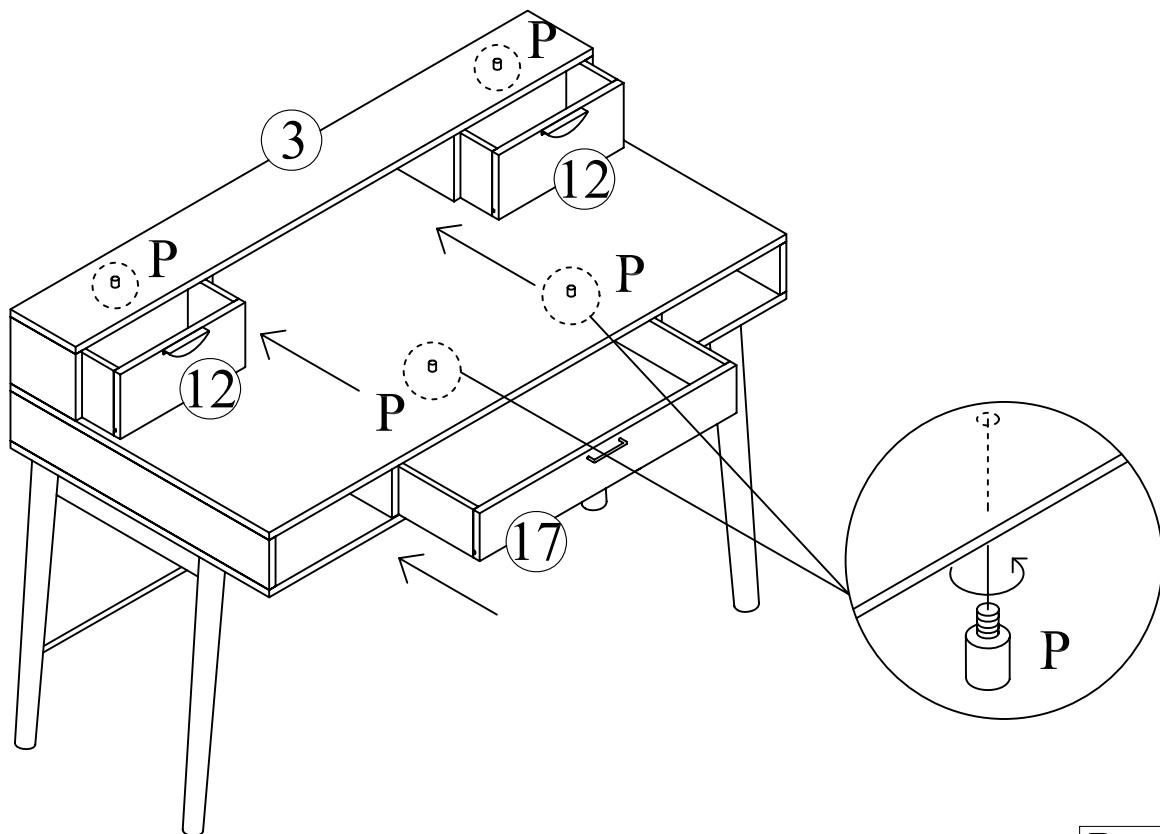



11



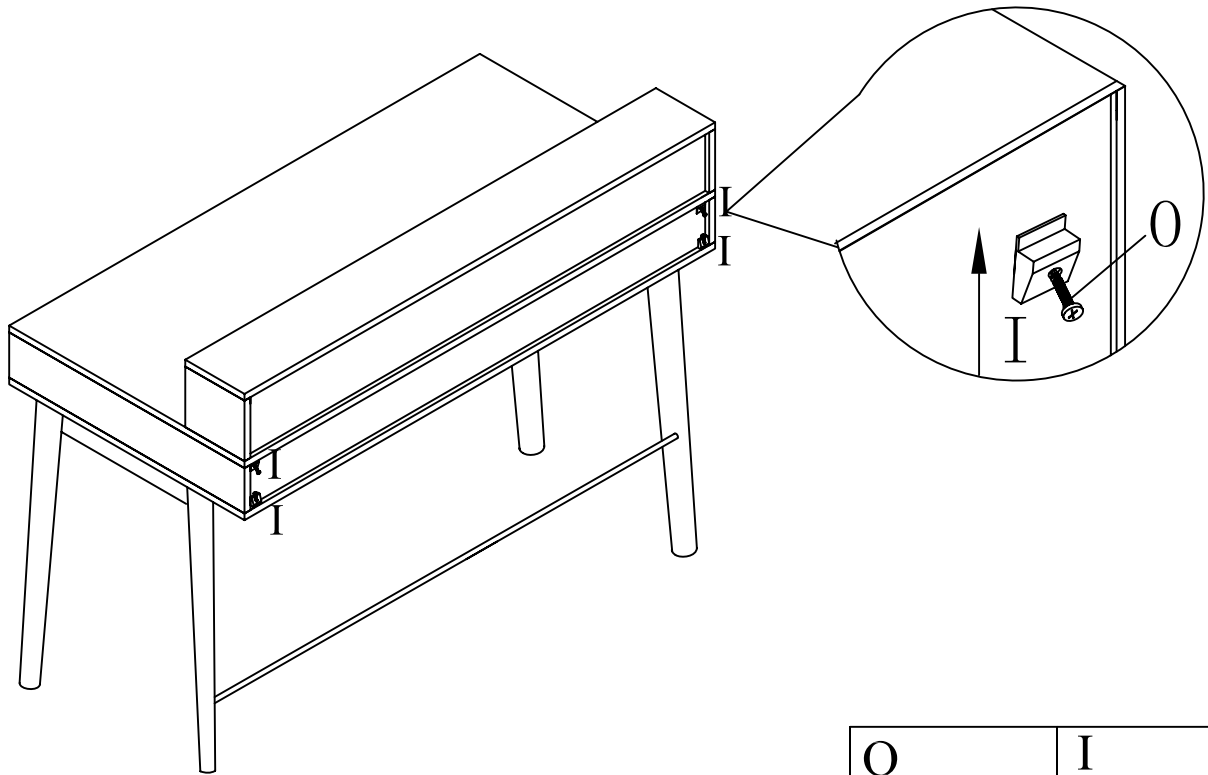
R		x2	H		x1	N		x2	L		x4	J		x4
---	--	----	---	---	----	---	---	----	---	---	----	---	--	----

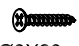

12



P		x4
---	---	----

13



O  Ø3X20mm x4	I  x4
--	---

