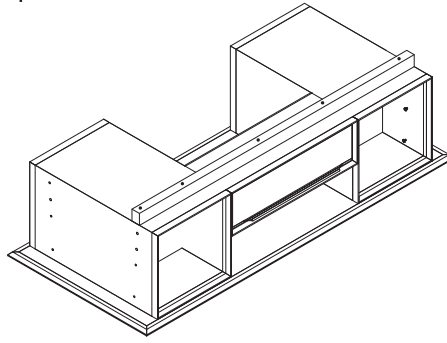




20 MIN

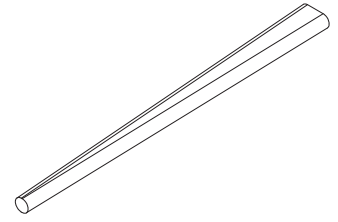


1



X1

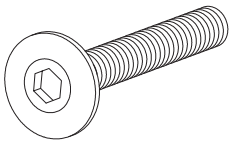
2



X4

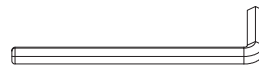
A

Ø8*30mm



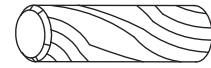
X8

B

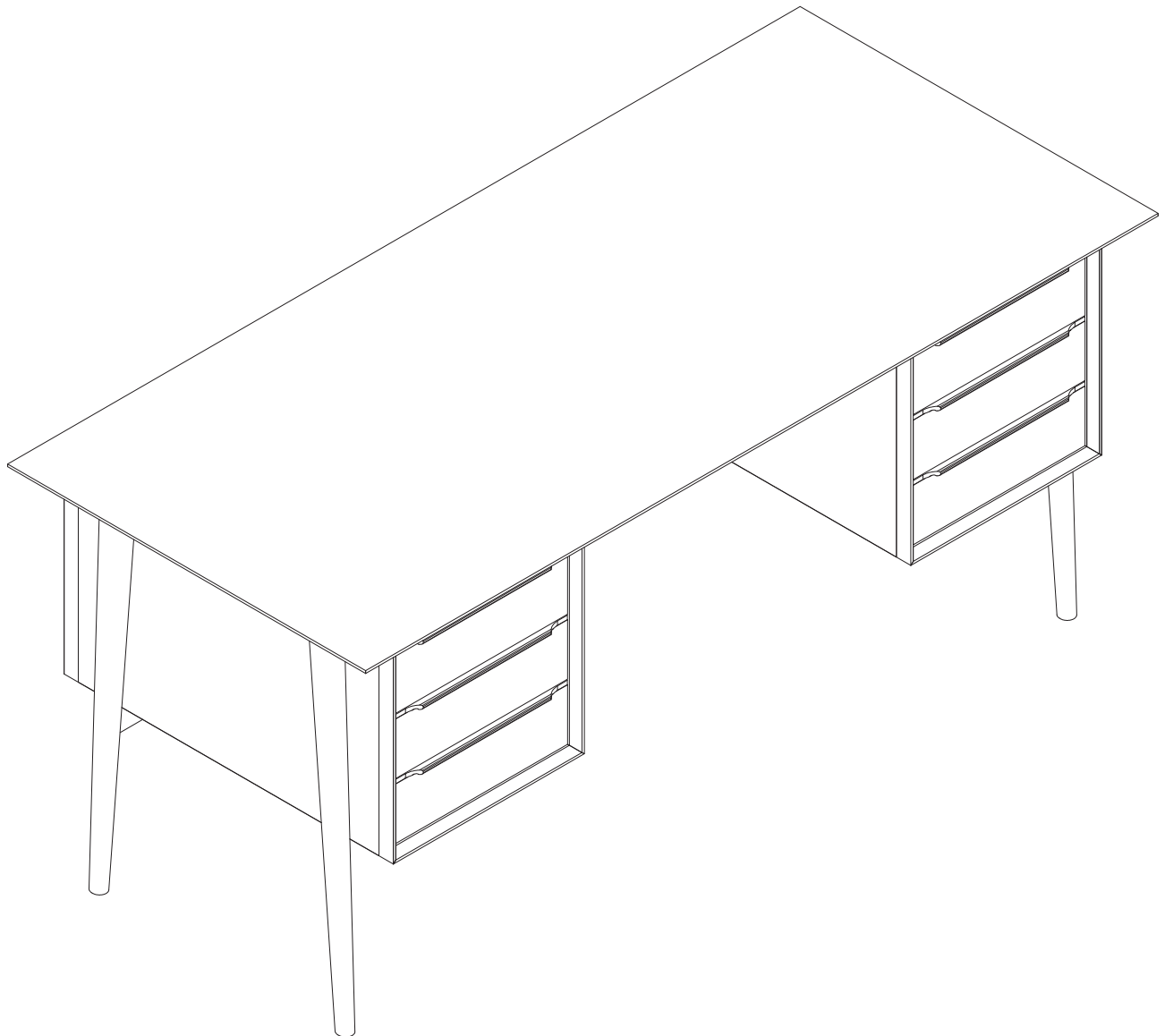


X1

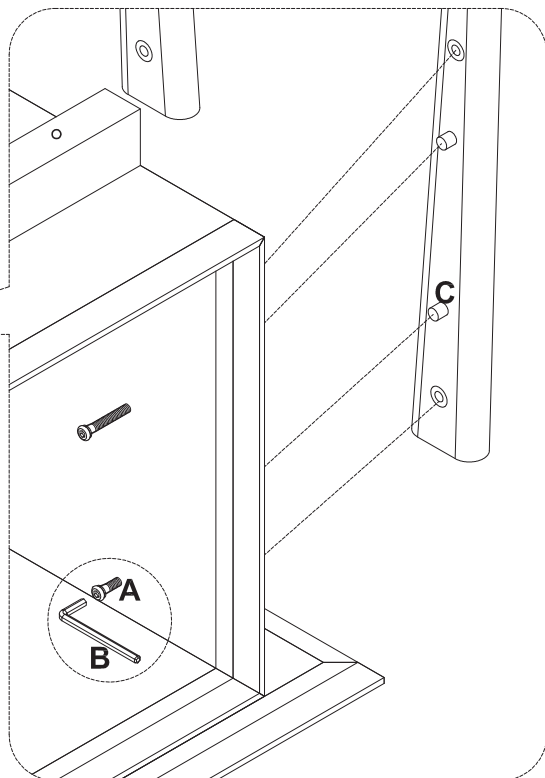
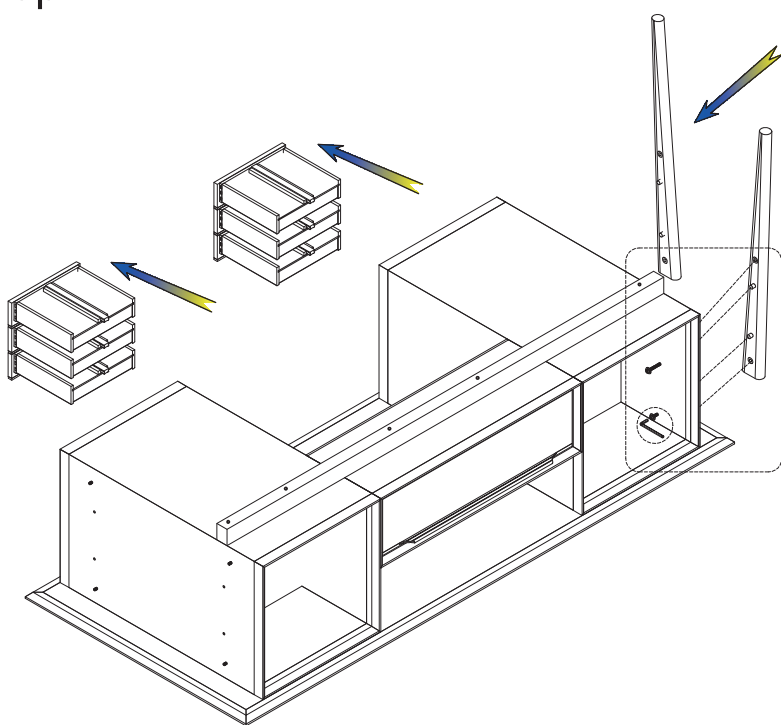
C



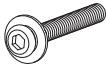


X8

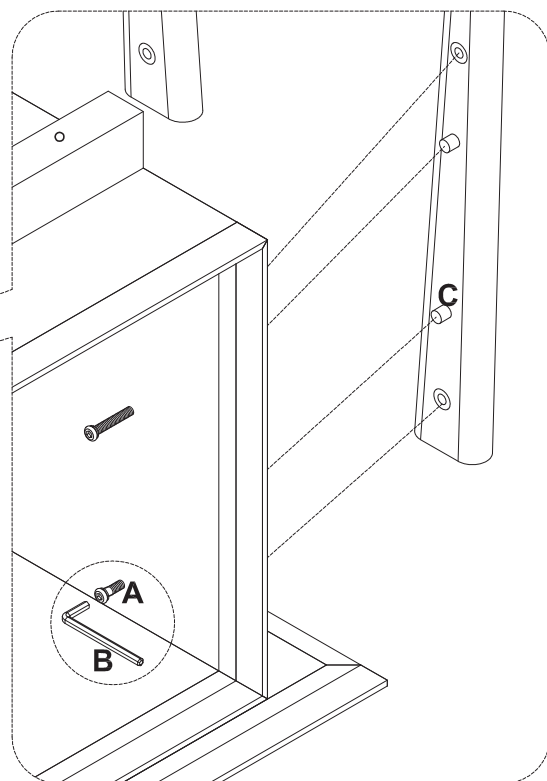
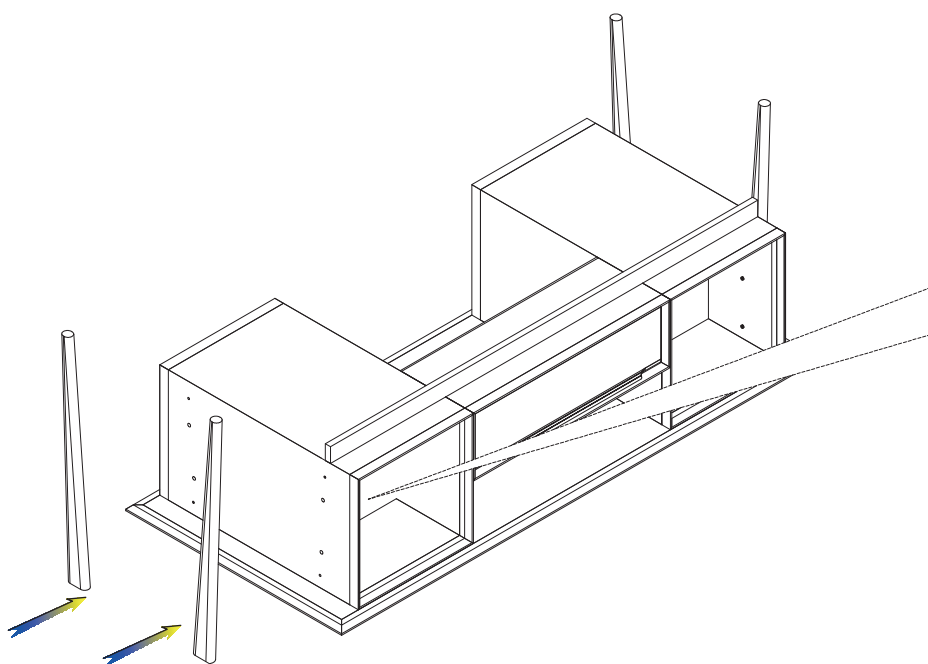




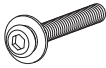
step 1



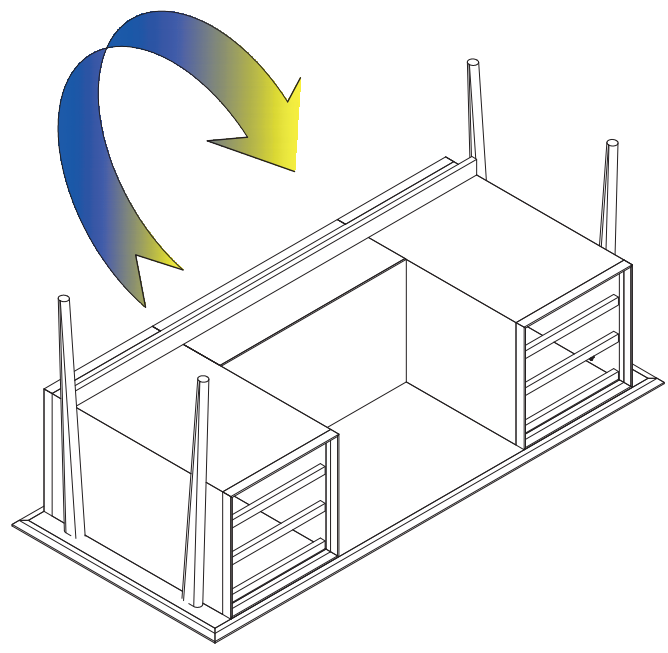
C		B		A	Ø8*30mm
X4				X4	

step 2



C		B		A	Ø8*30mm
X4				X4	

step 3



step 4

