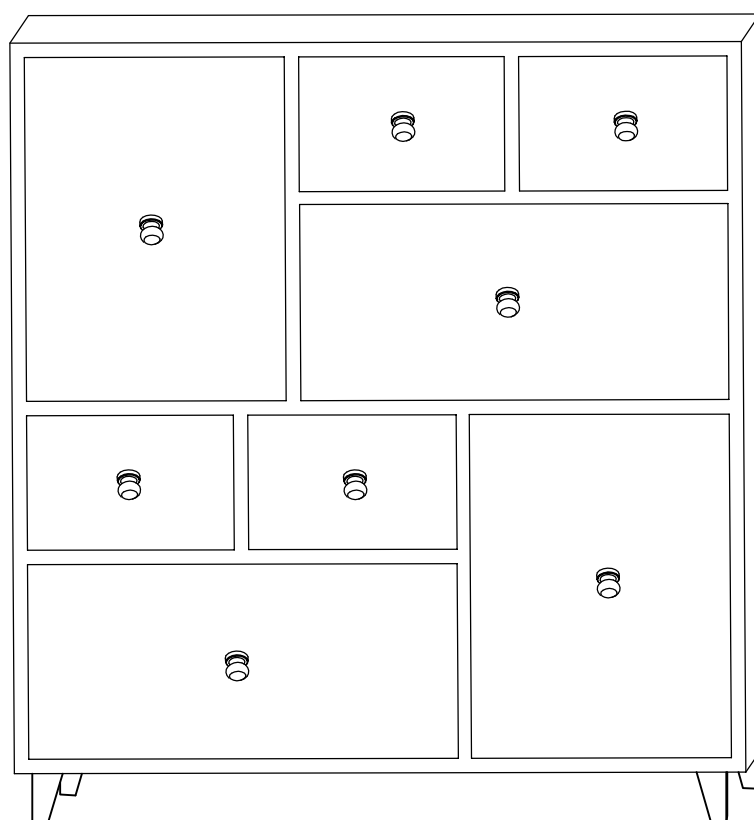



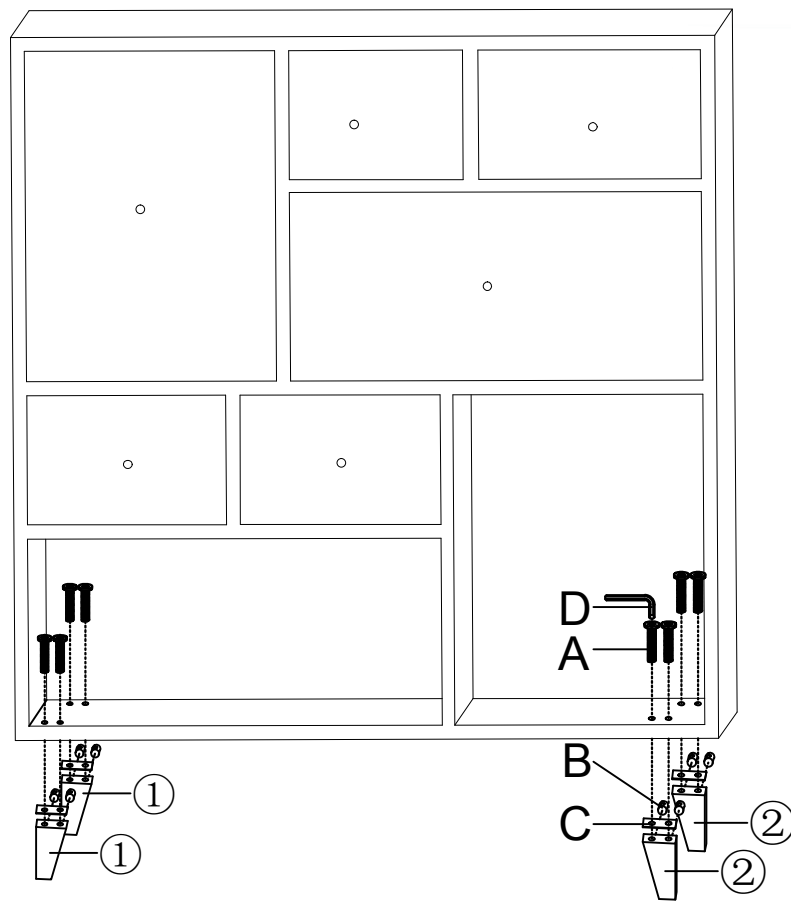






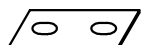

# SPRING

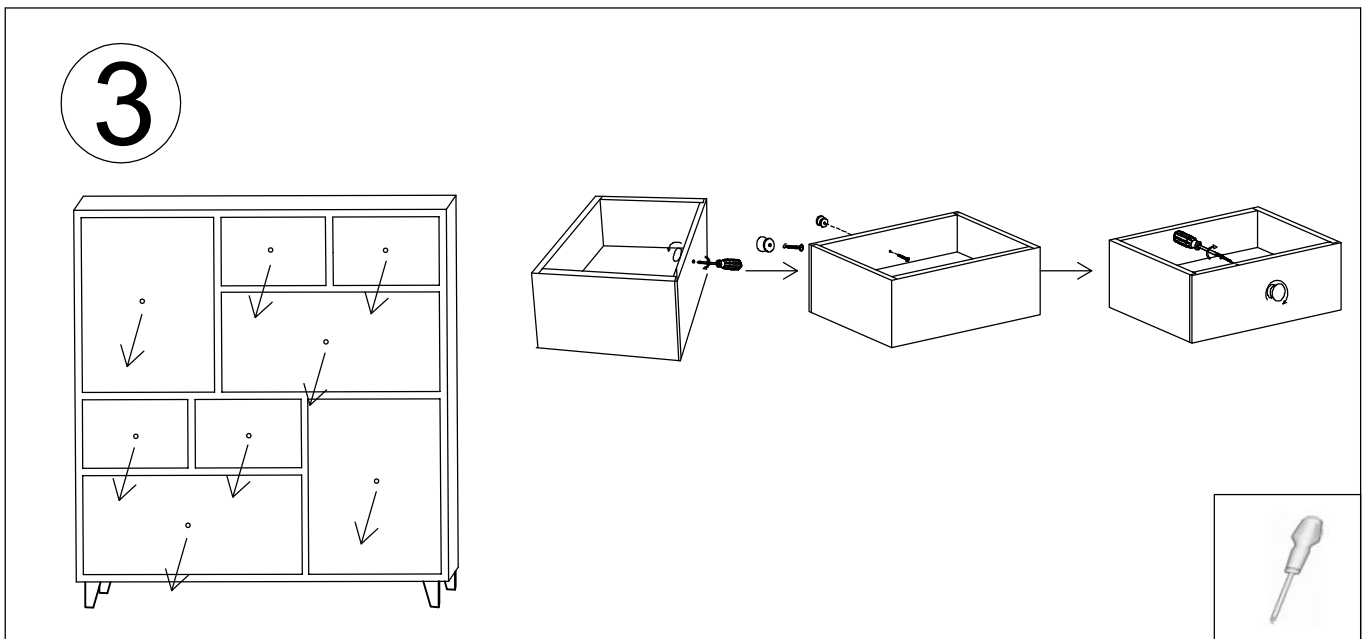
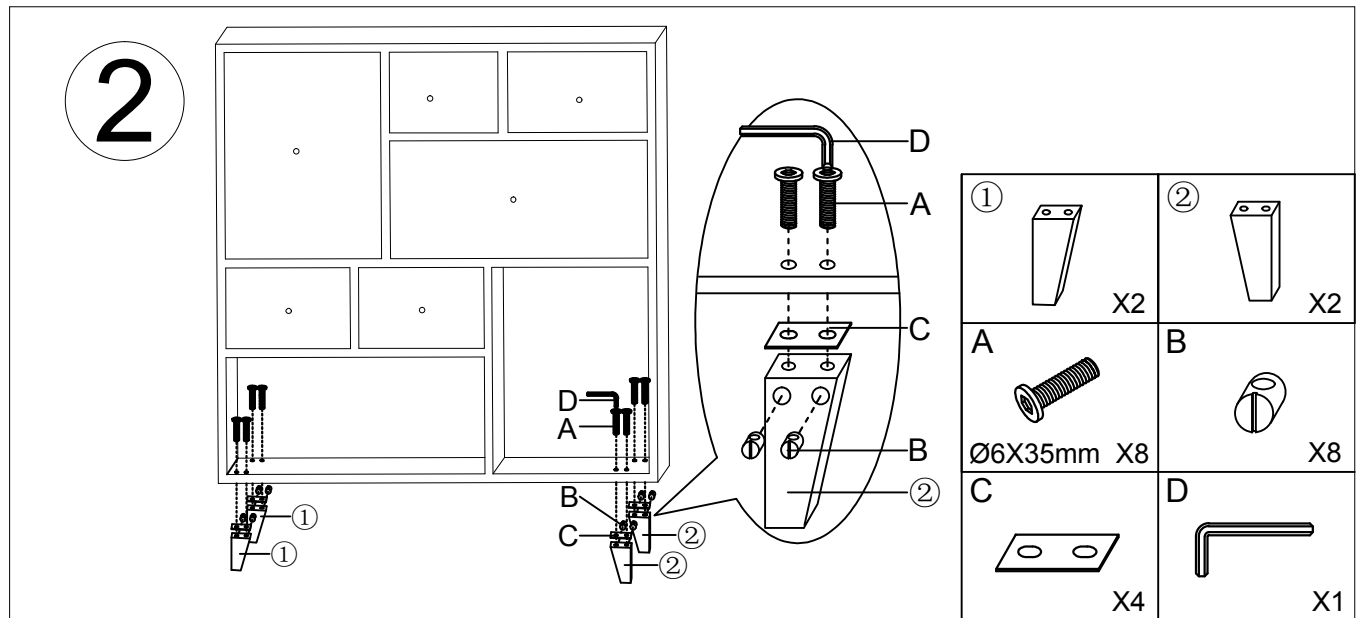
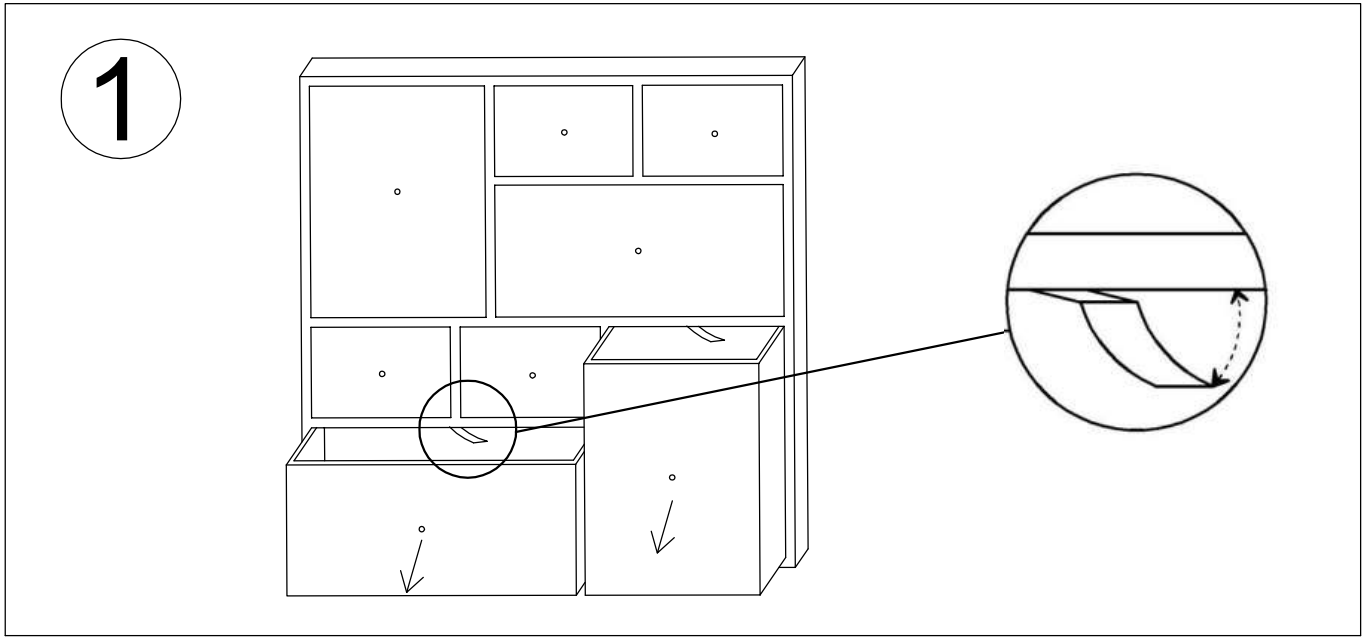
165823



 10 MIN		
---	---	---



<p>①</p>  <p>X2</p>	<p>②</p>  <p>X2</p>	<p>A</p>  <p>Ø6X35mm X8</p>	<p>B</p>  <p>X8</p>	<p>C</p>  <p>X4</p>	<p>D</p>  <p>X1</p>
--	--	--	--	--	--



4

