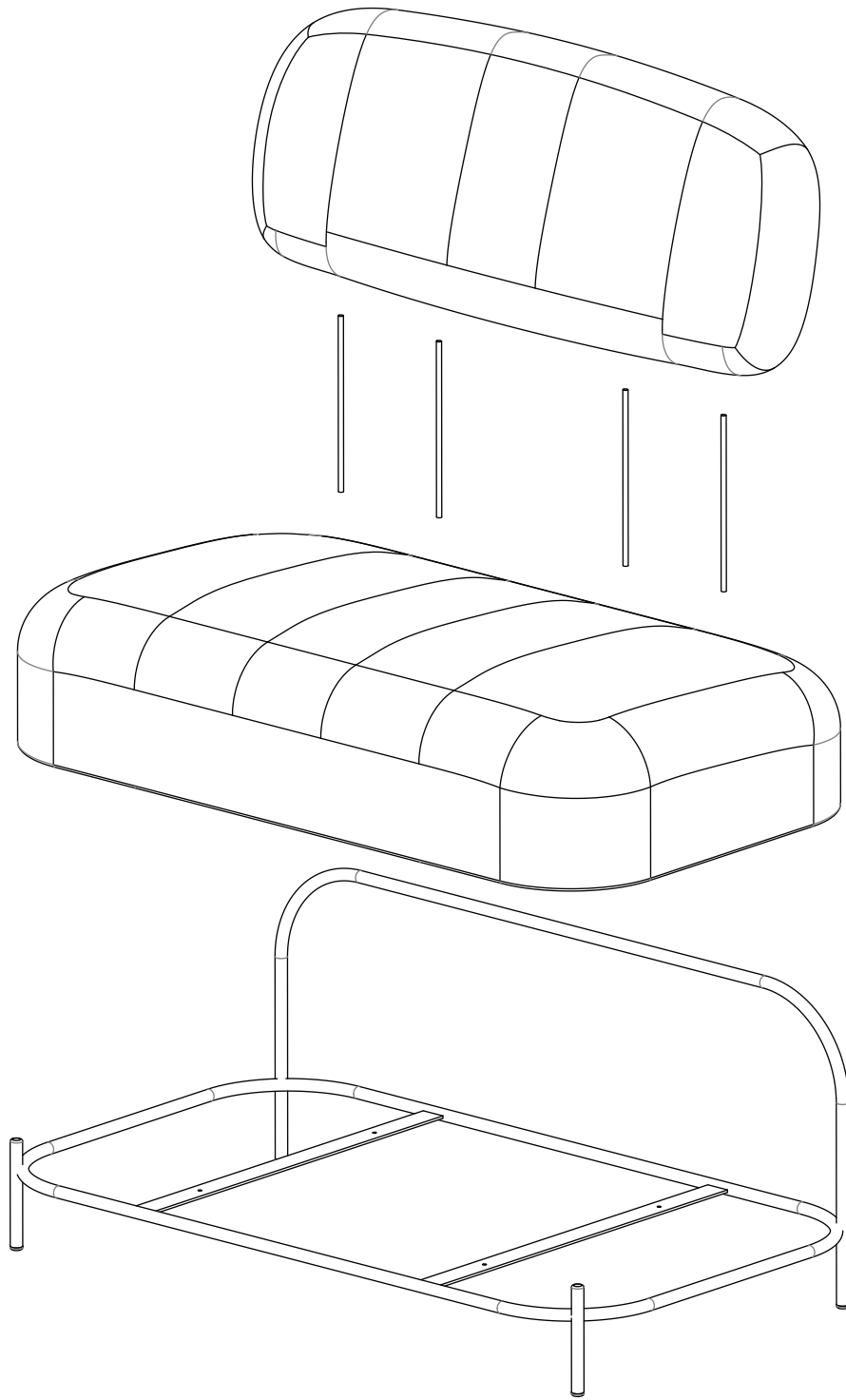




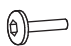

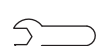


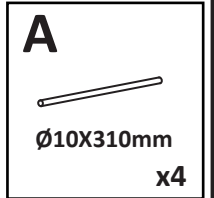
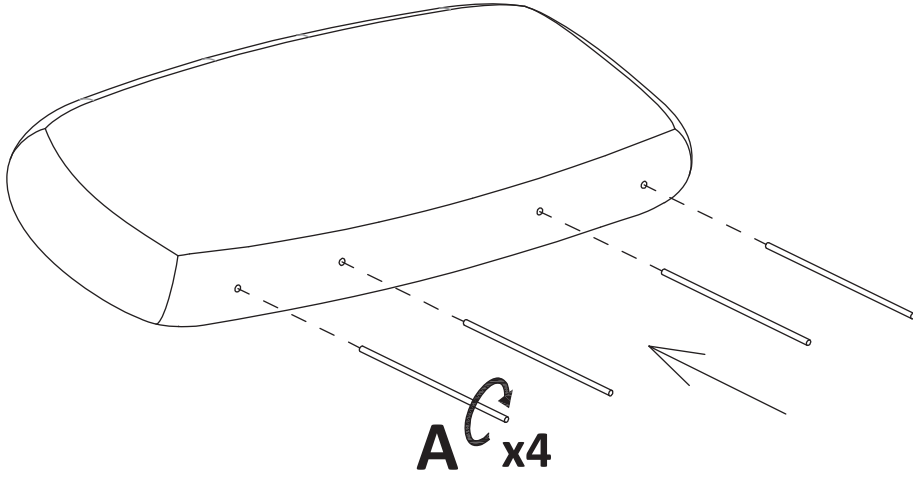
 10 MIN	
--	---

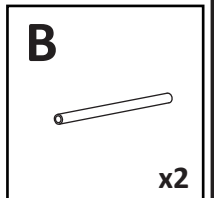
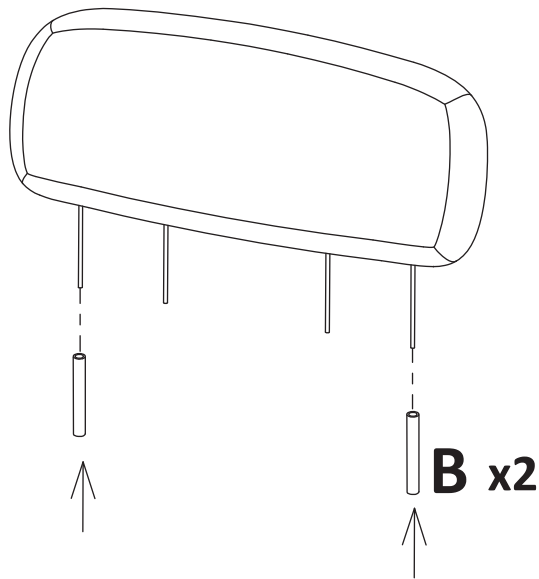


<p><b>A</b></p>  <p>Ø10X310mm x4</p>	<p><b>B</b></p>  <p>x2</p>	<p><b>C</b></p>  <p>Ø25X10X2mm x4</p>	<p><b>D</b></p>  <p>M10 x4</p>	<p><b>E</b></p>  <p>Ø6x30mm x4</p>	<p><b>F</b></p>  <p>Ø6X16X1mm x4</p>	<p><b>G</b></p>  <p>x1</p>	<p><b>H</b></p>  <p>4mm x1</p>	<p><b>I</b></p>  <p>x4</p>
--	---	--	---	---	---	---	---	---

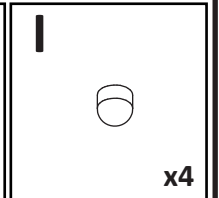
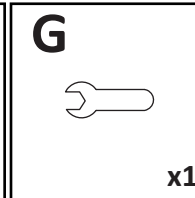
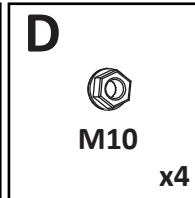
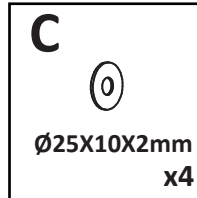
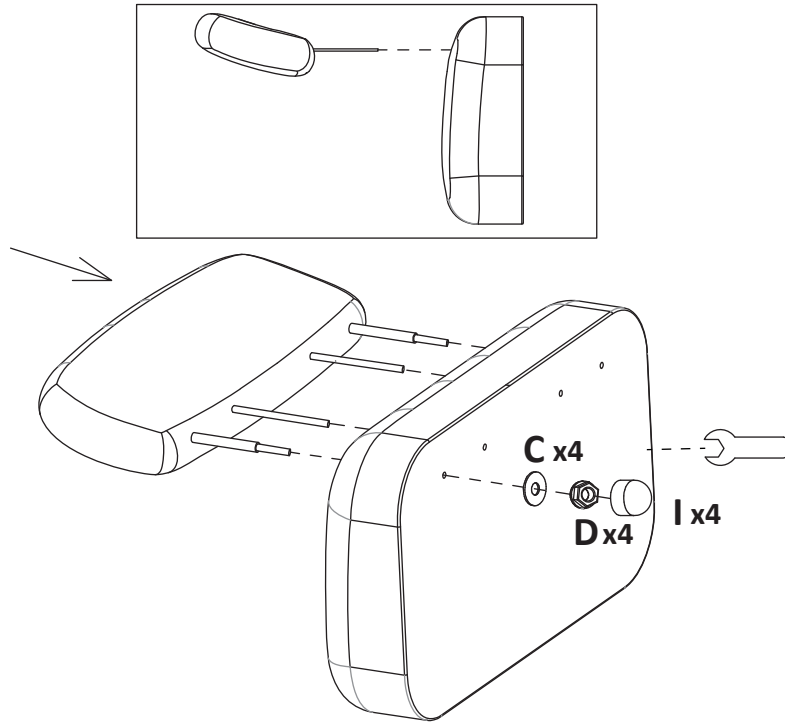
①



②



3



4

