

DUKE

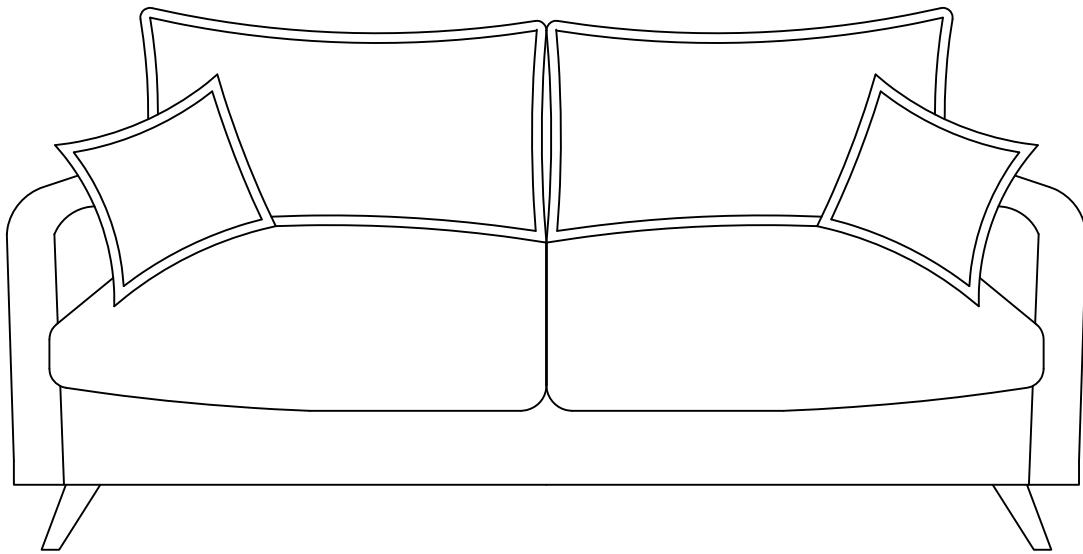
147301



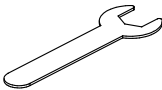
147302

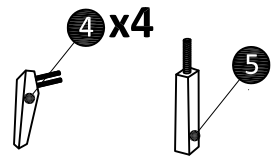
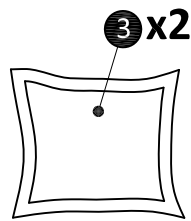
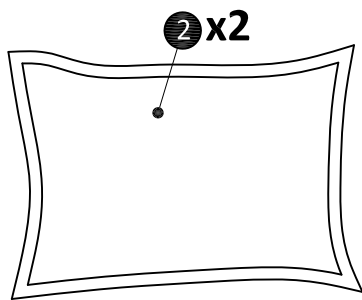
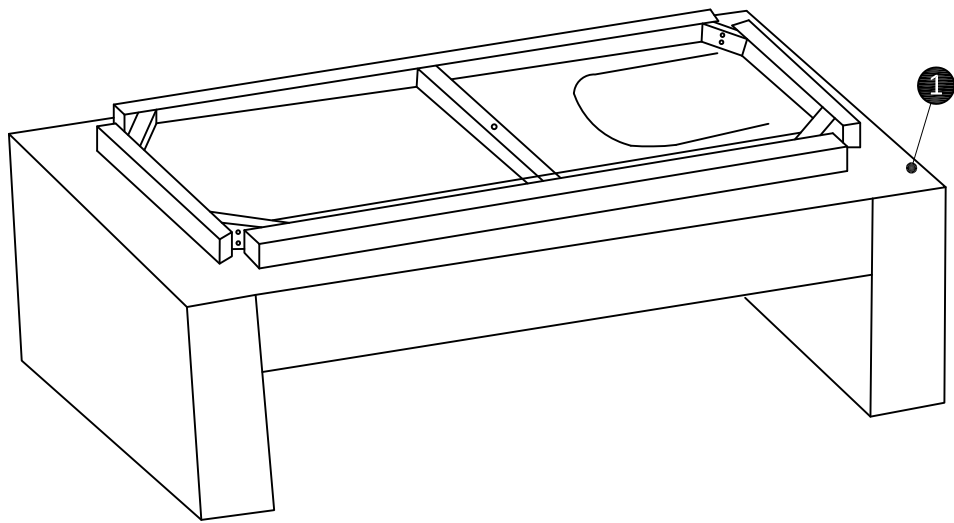
166457

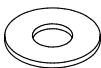

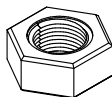

174741

199598

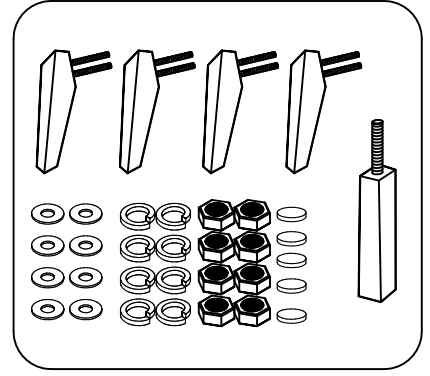
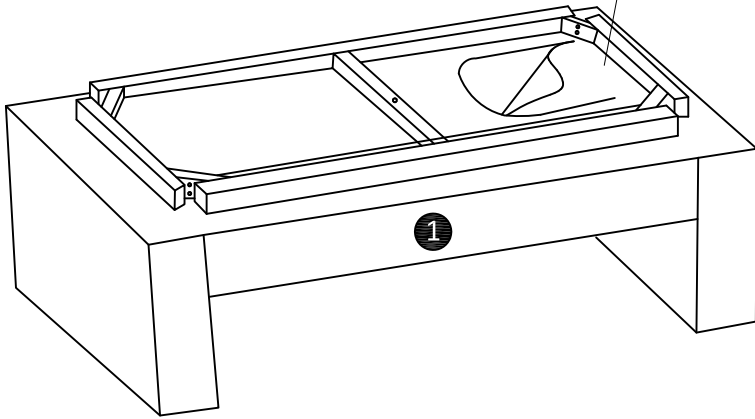


 30 MIN		
---	---	---

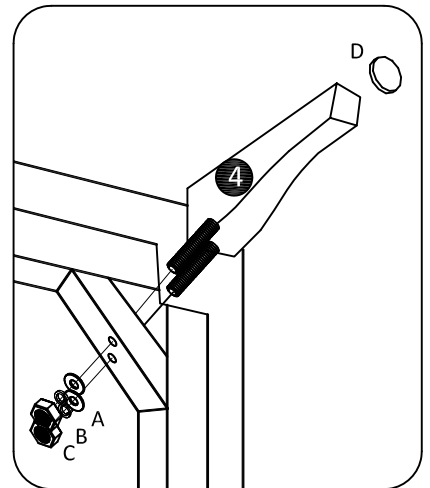
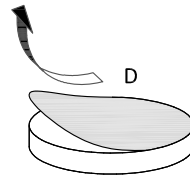
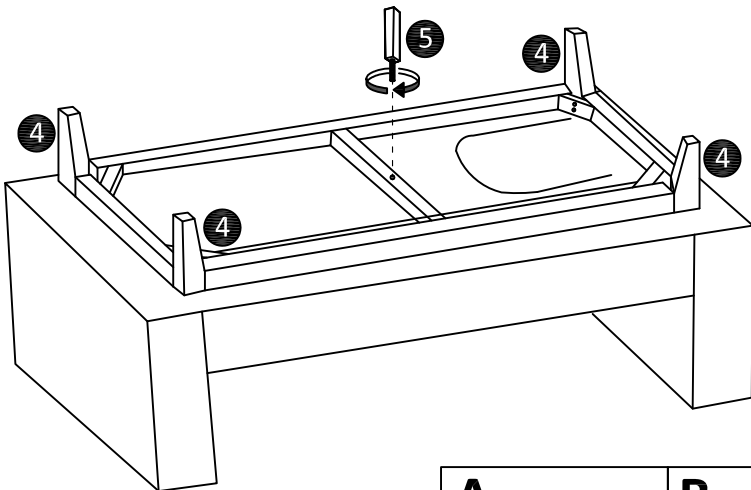


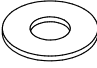

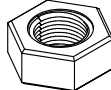

<p>A</p>  <p>Ø8 mm</p> <p>X8</p>	<p>B</p>  <p>Ø8 mm</p> <p>X8</p>	<p>C</p>  <p>M8</p> <p>X8</p>	<p>D</p>  <p>Ø20x2 mm</p> <p>X5</p>
--	--	---	---

1



2



A  Ø8 mm X8	B  Ø8 mm X8	C  M8 X8	D  Ø20x2 mm X5
--	--	---	---

3

