

DUKE

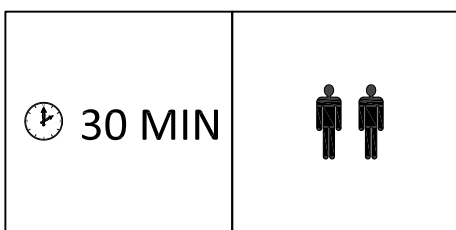
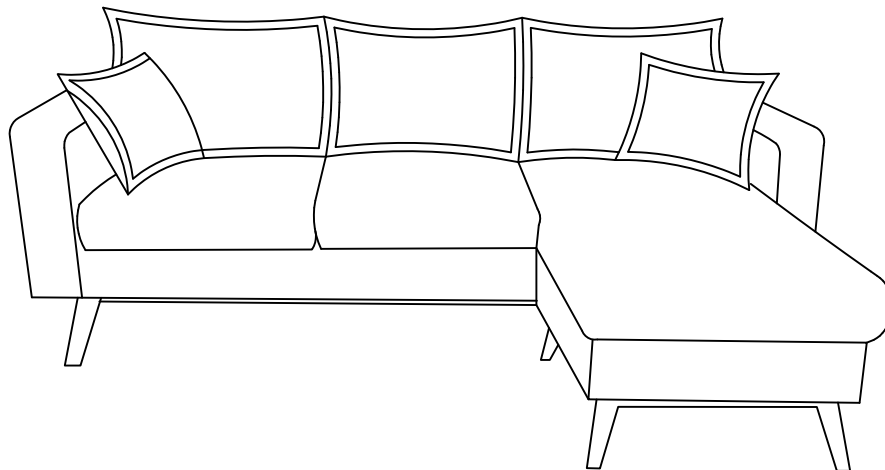
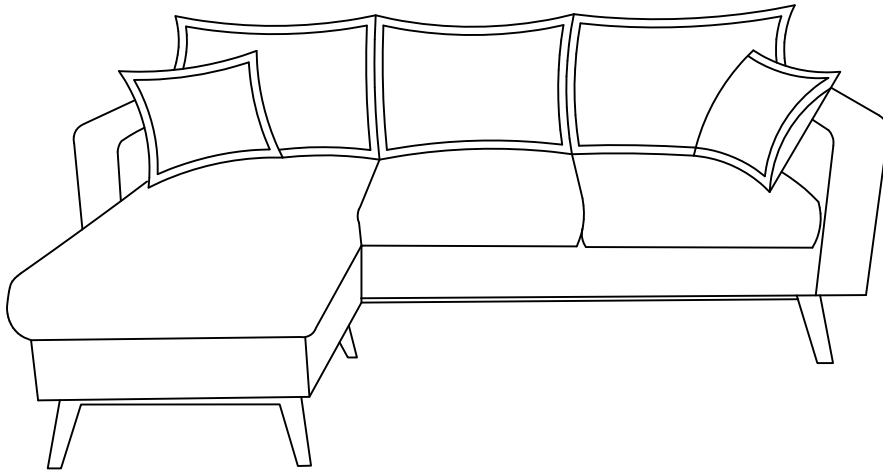
185991

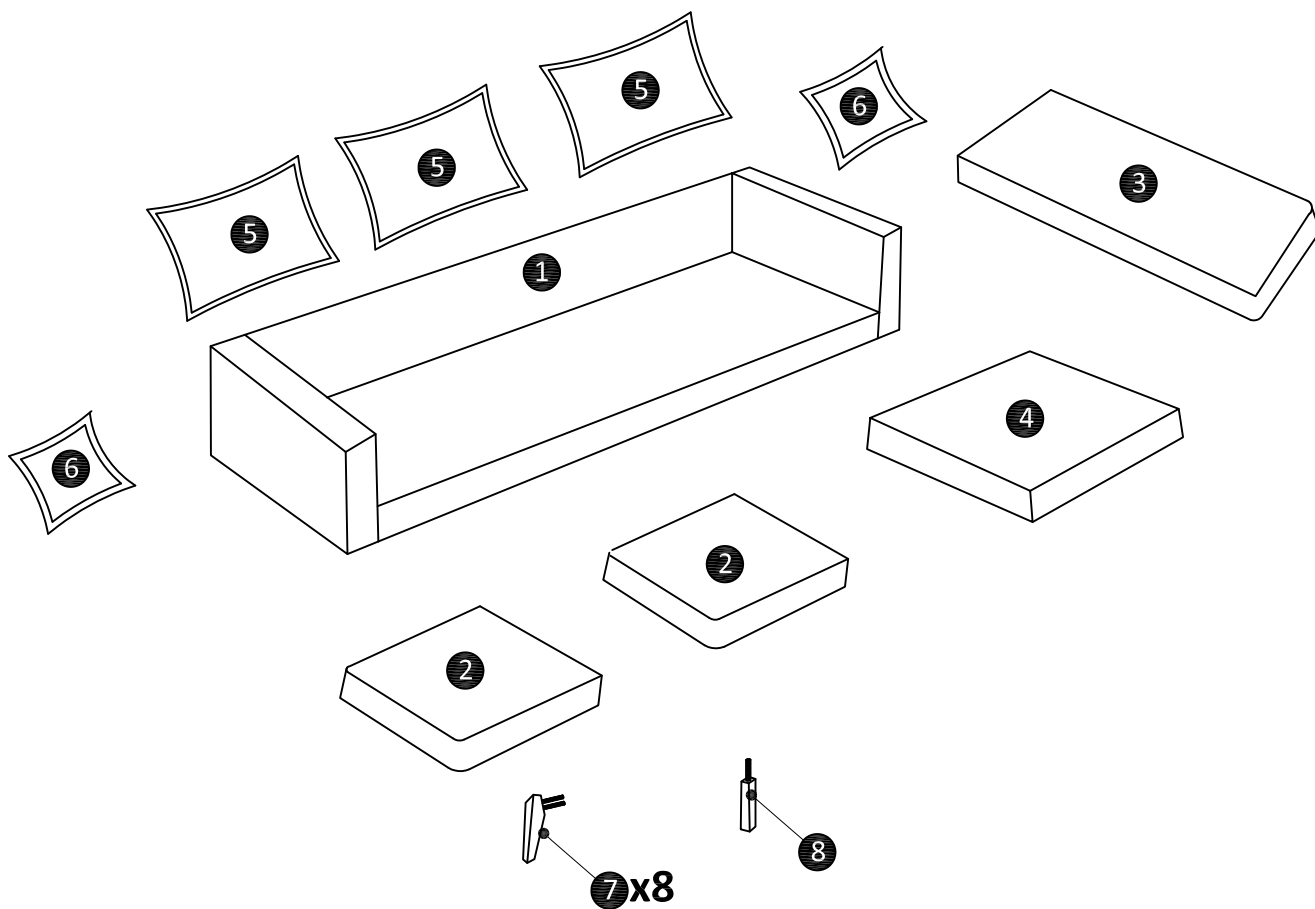
185992



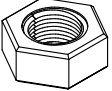

186993

186000

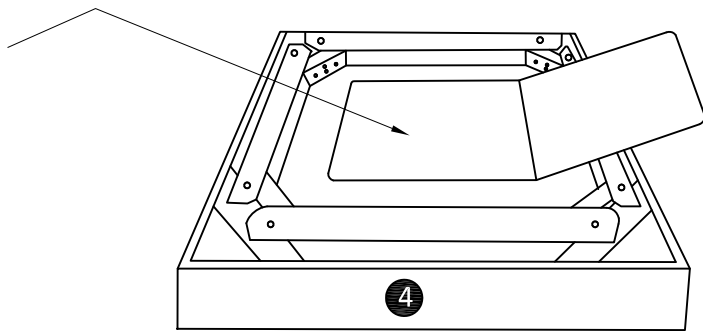
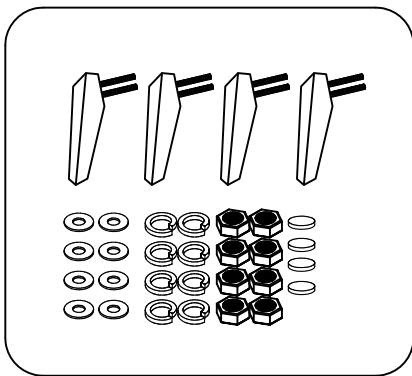
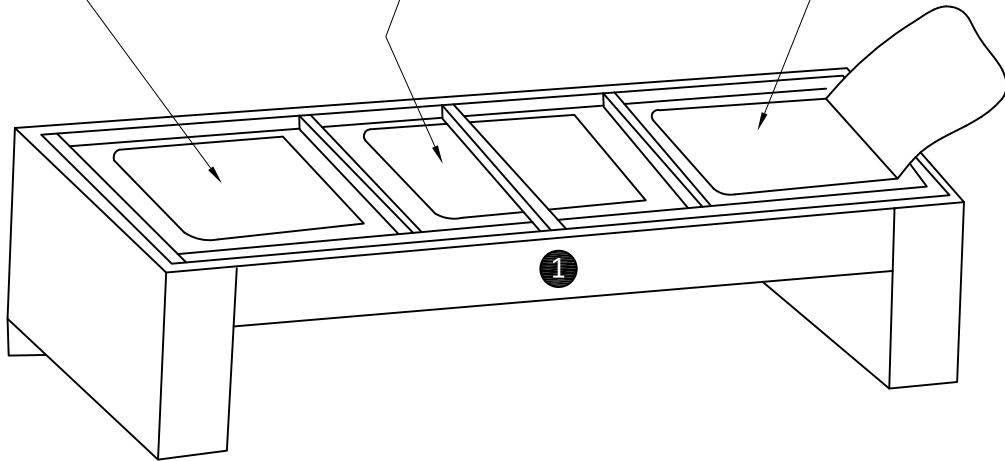
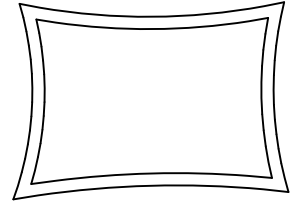
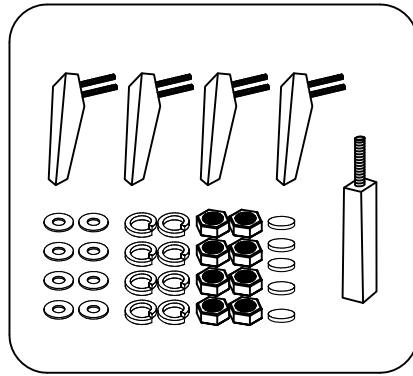
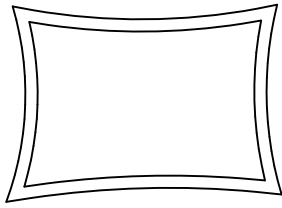
199603



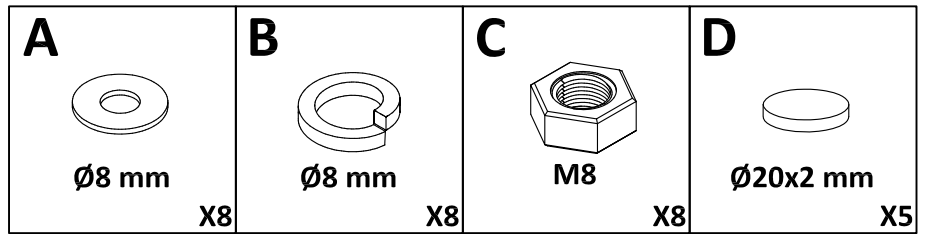
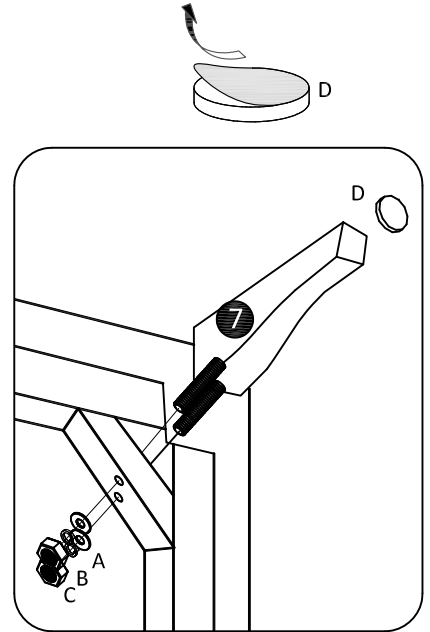
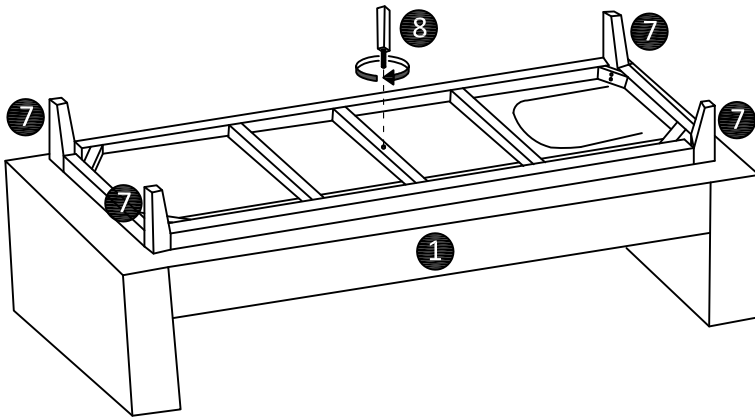


<p>A</p>  <p>Ø8 mm</p> <p>X16</p>	<p>B</p>  <p>Ø8 mm</p> <p>X16</p>	<p>C</p>  <p>M8</p> <p>X16</p>	<p>D</p>  <p>Ø20x2 mm</p> <p>X9</p>
---	---	--	---

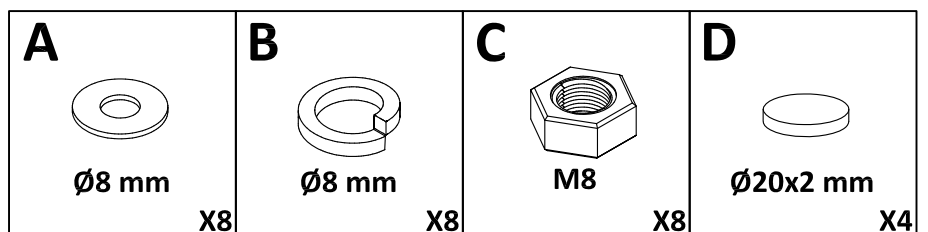
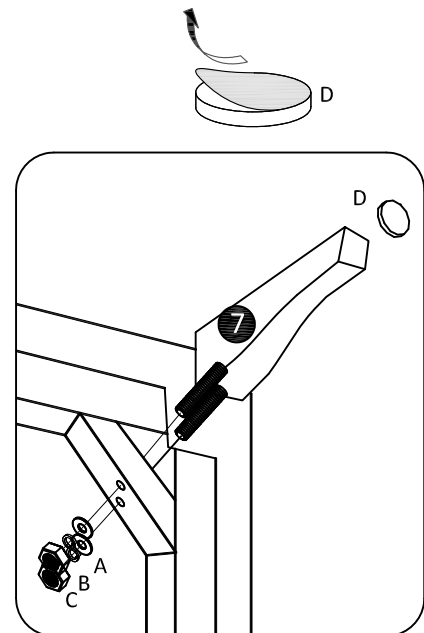
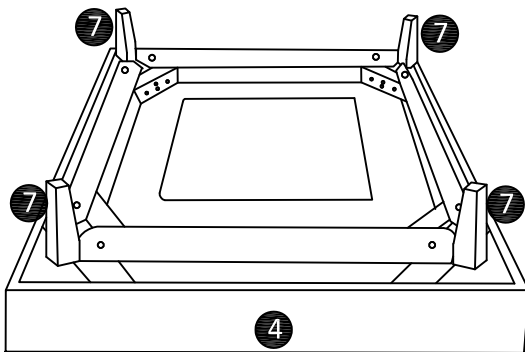
1



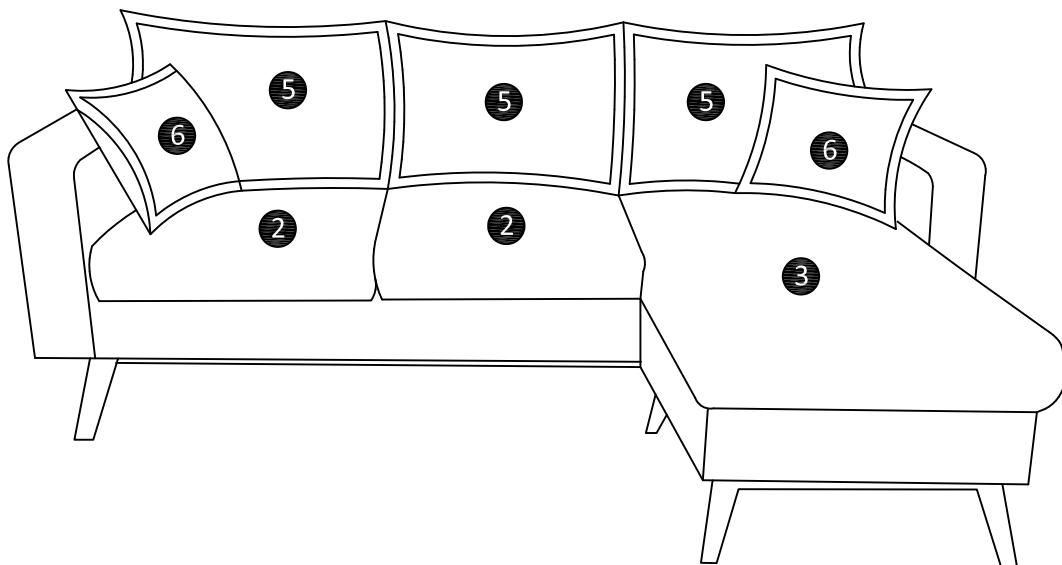
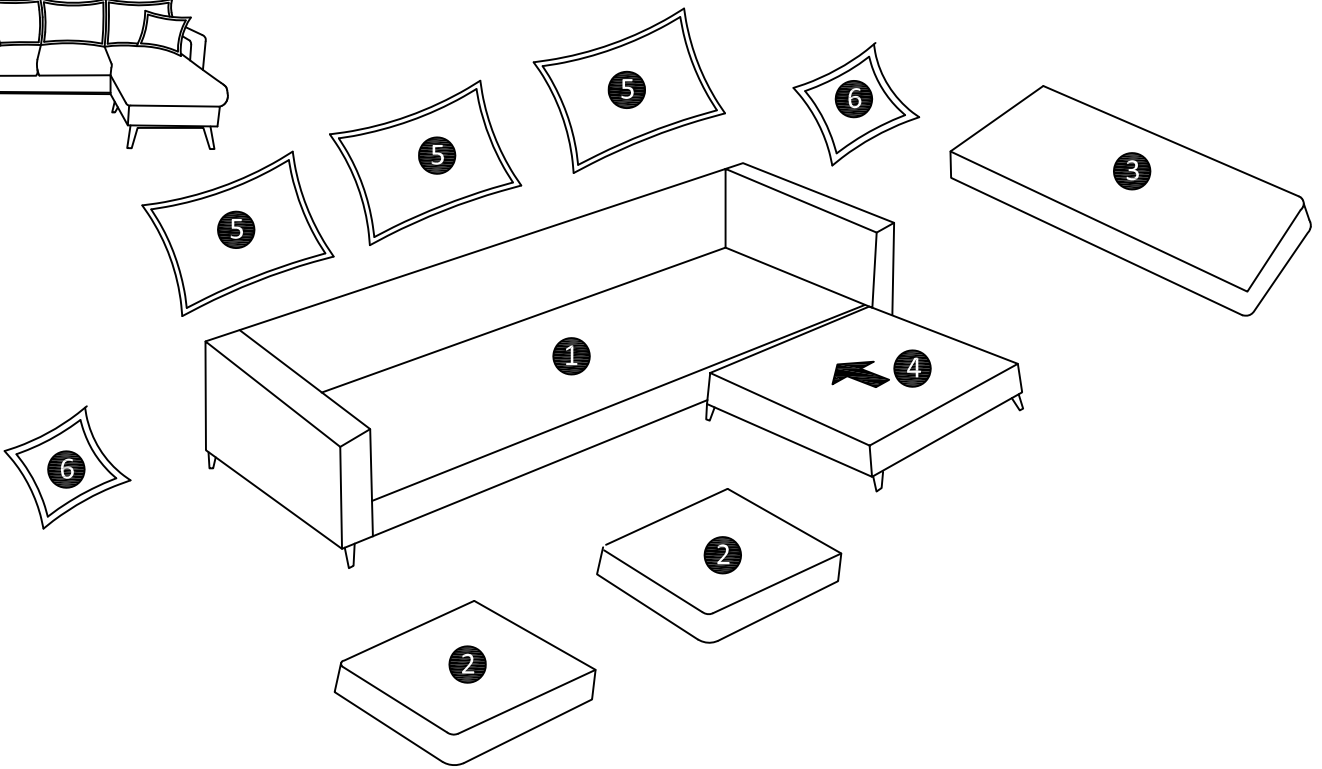
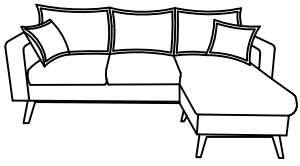
2



3



4



5

