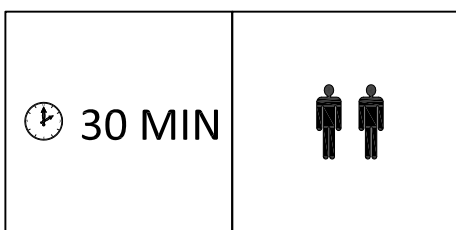
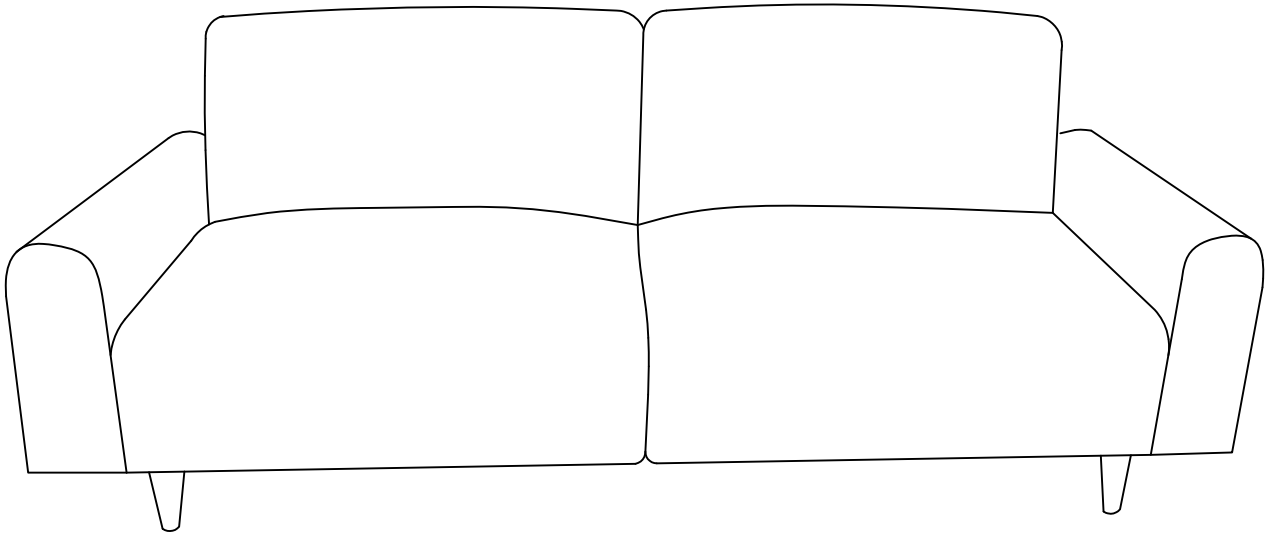


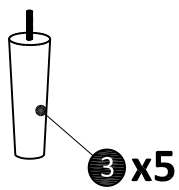
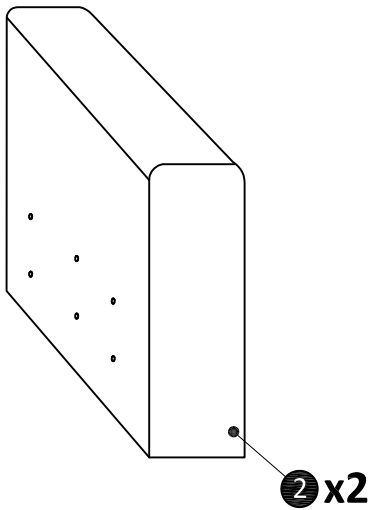
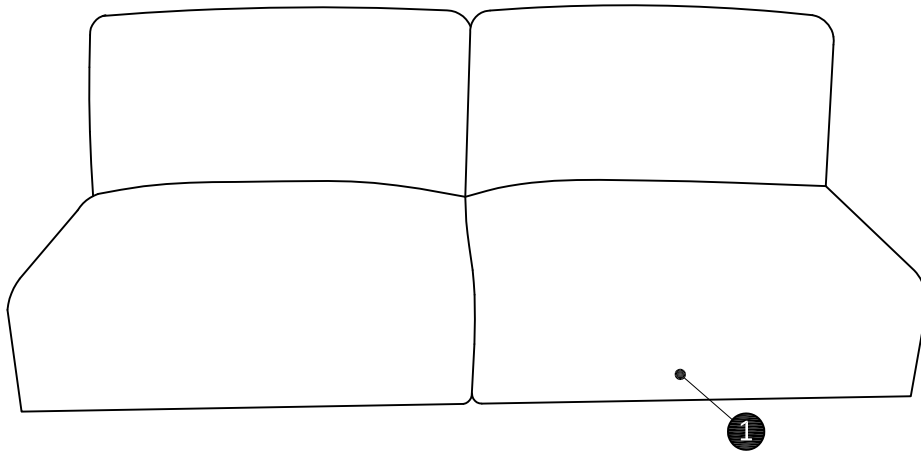
# RUSSEL

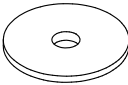
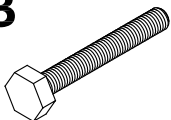
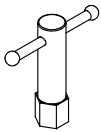
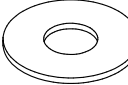
198270

198271

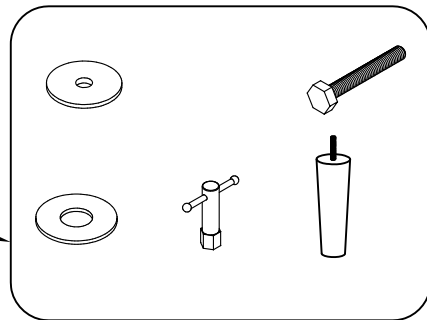
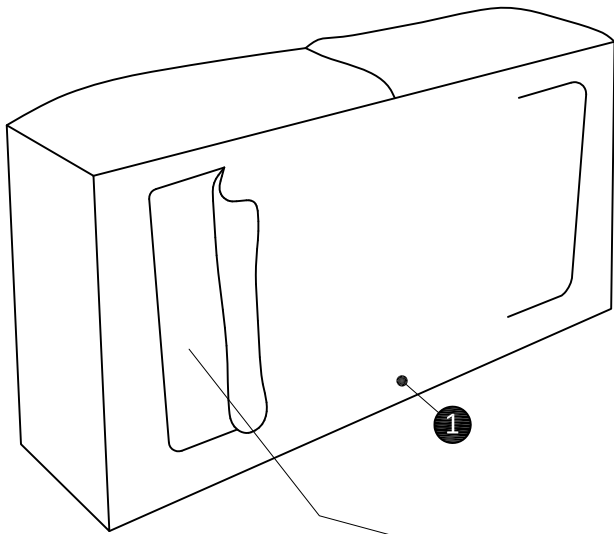
198272



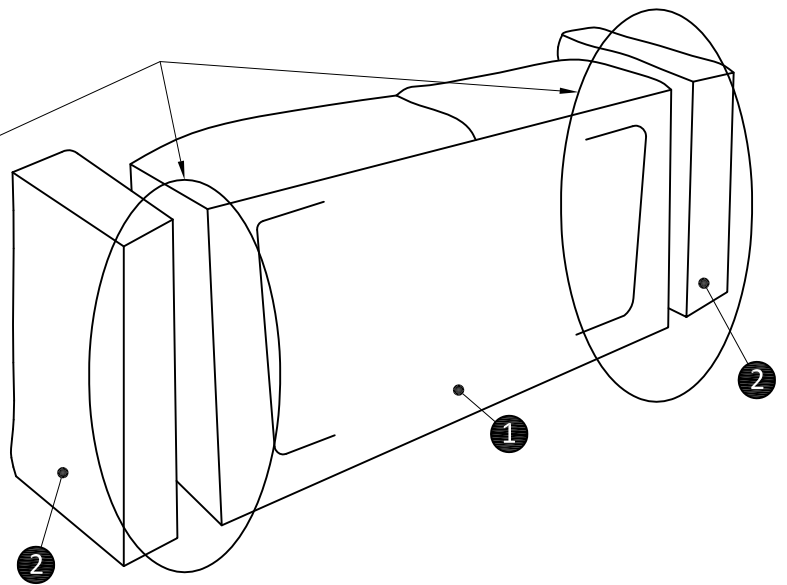
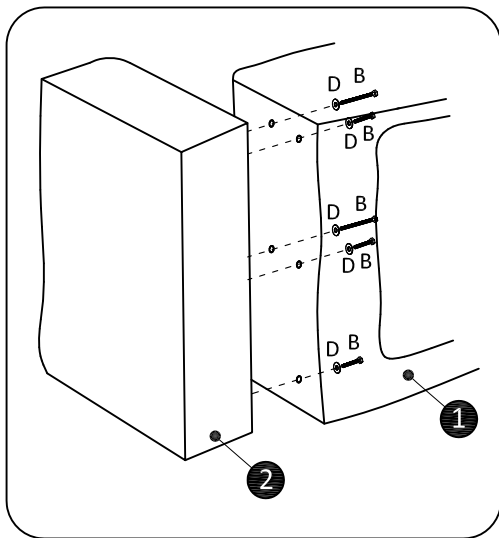


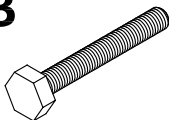
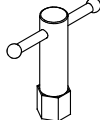
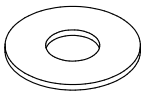
<p><b>A</b></p>  <p><math>\varnothing 8 / \varnothing 50 \times 3</math> mm X5</p>	<p><b>B</b></p>  <p>M8x60 mm X10</p>	<p><b>C</b></p>  <p>13 mm X1</p>	<p><b>D</b></p>  <p><math>\varnothing 8 / \varnothing 24 \times 2</math> mm X10</p>
---------------------------------------------------------------------------------------------------------------------------------------------------------------------------	-----------------------------------------------------------------------------------------------------------------------------	-------------------------------------------------------------------------------------------------------------------------	----------------------------------------------------------------------------------------------------------------------------------------------------------------------------

1

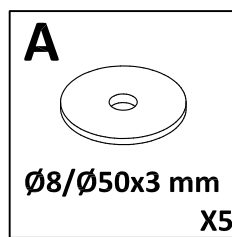
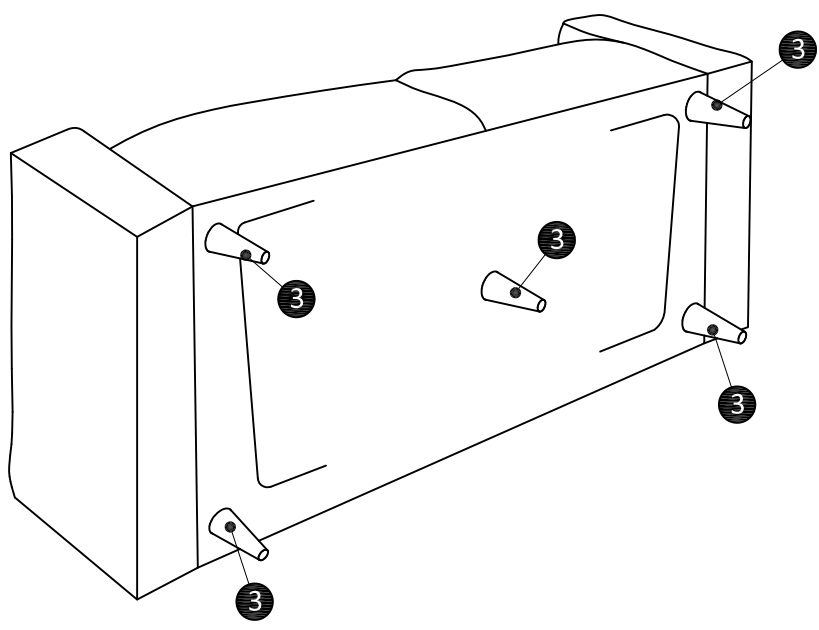
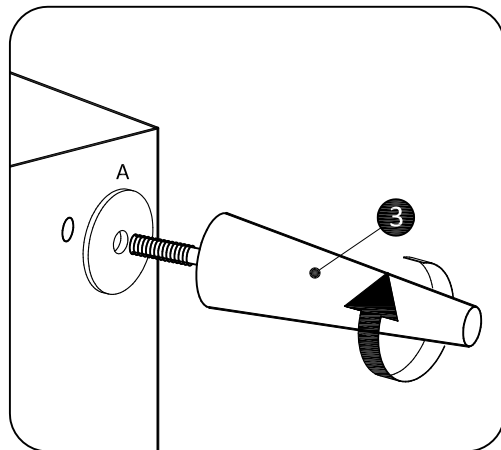


2

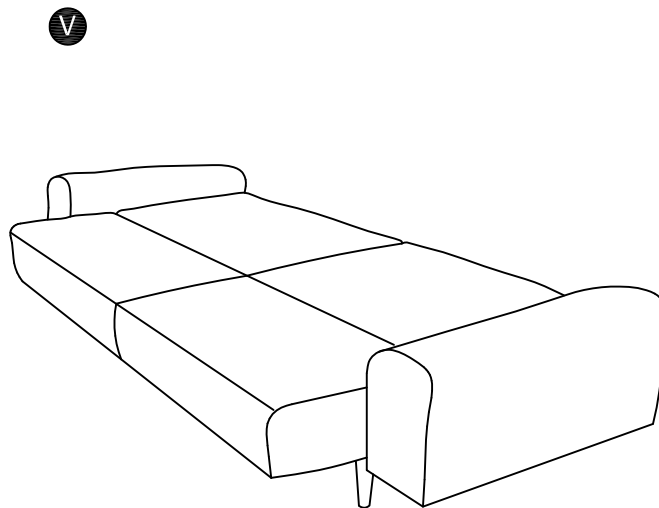
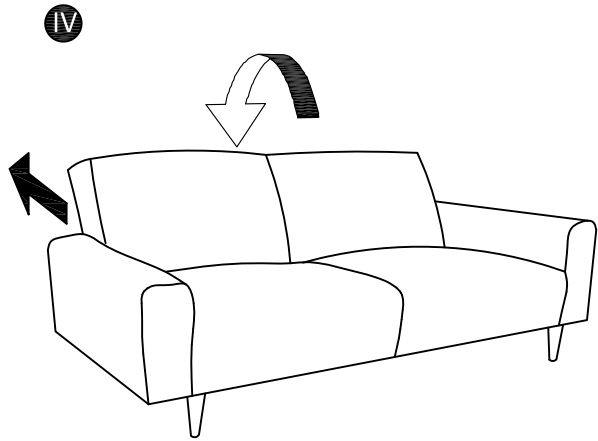
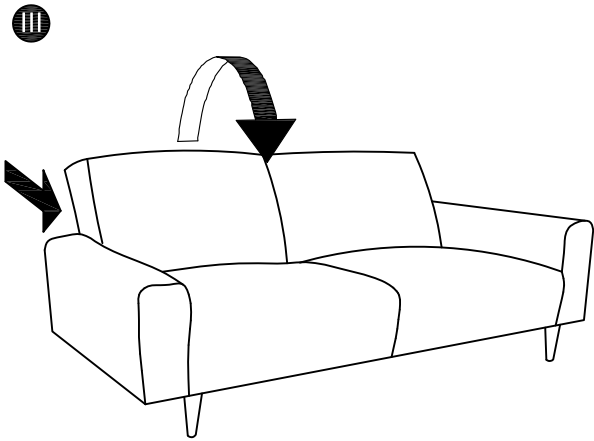
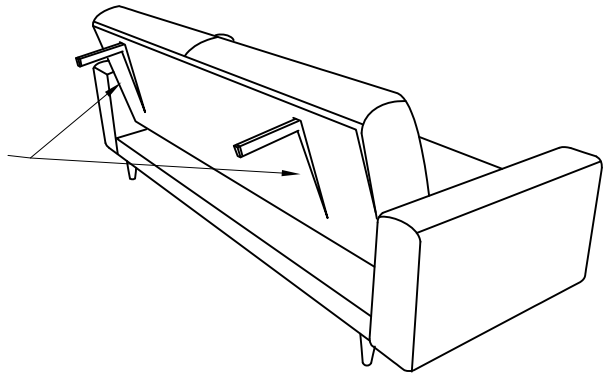
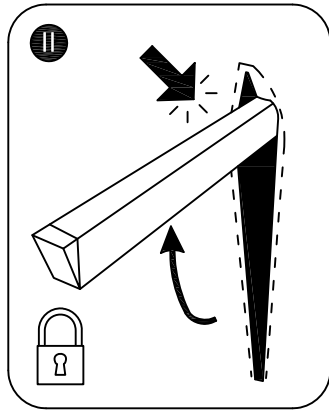
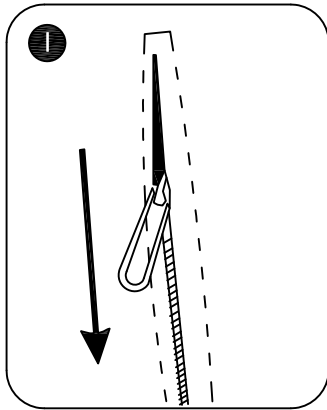


<b>B</b>  M8x60 mm X10	<b>C</b>  13 mm X1	<b>D</b>  Ø8/Ø24x2 mm X10
--------------------------------------------------------------------------------------------------------------------	------------------------------------------------------------------------------------------------------------------	-------------------------------------------------------------------------------------------------------------------------

3

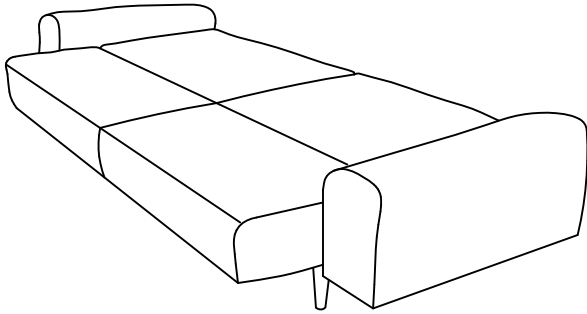


4

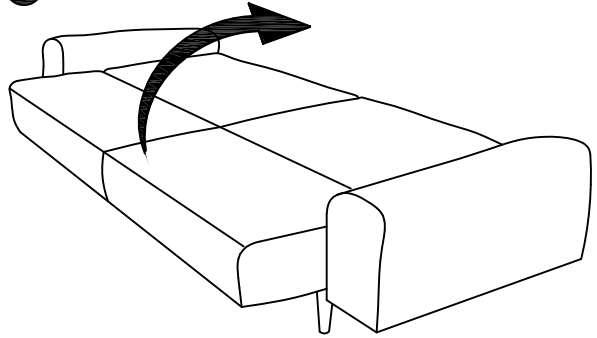


5

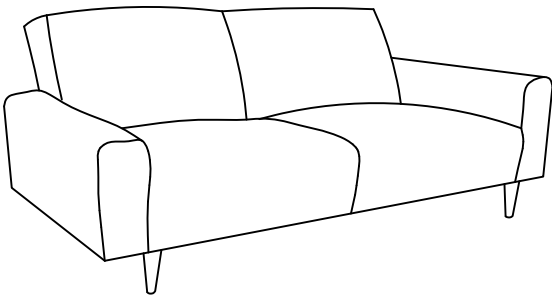
I



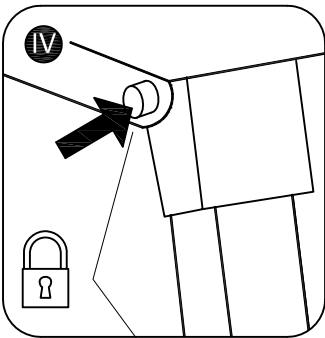
II



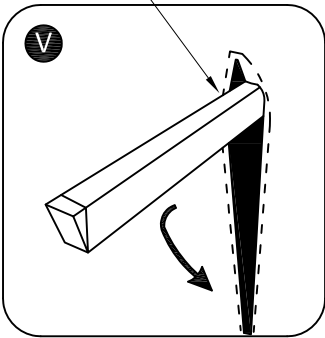
III



IV



V



VI

