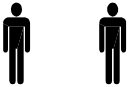

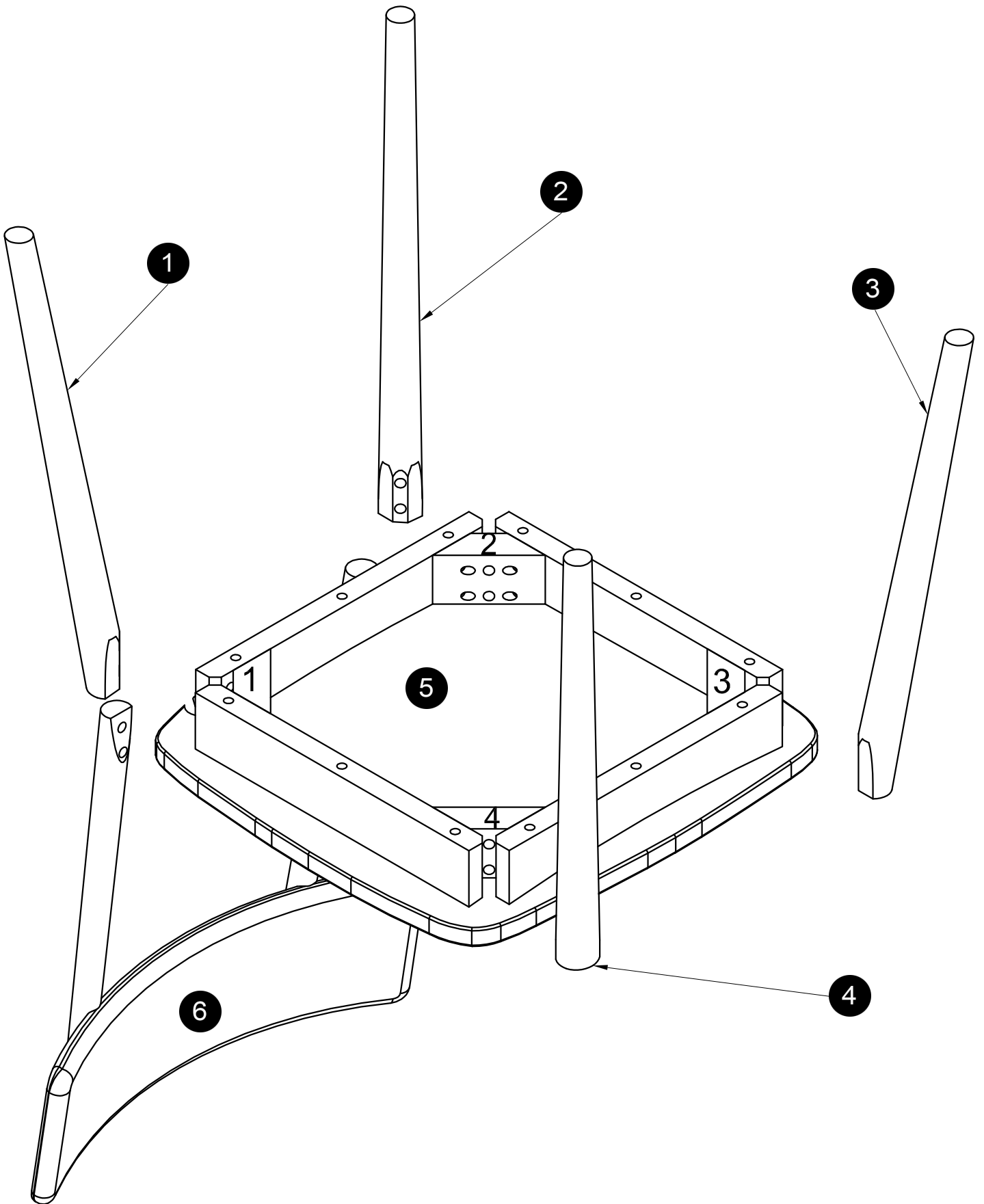





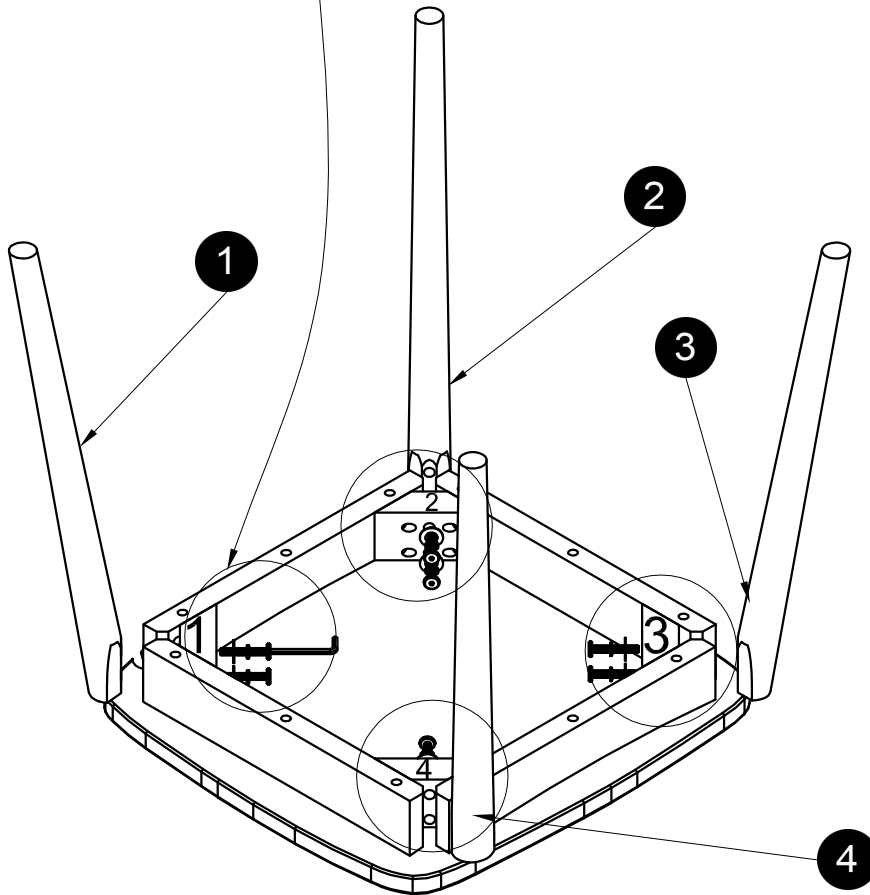
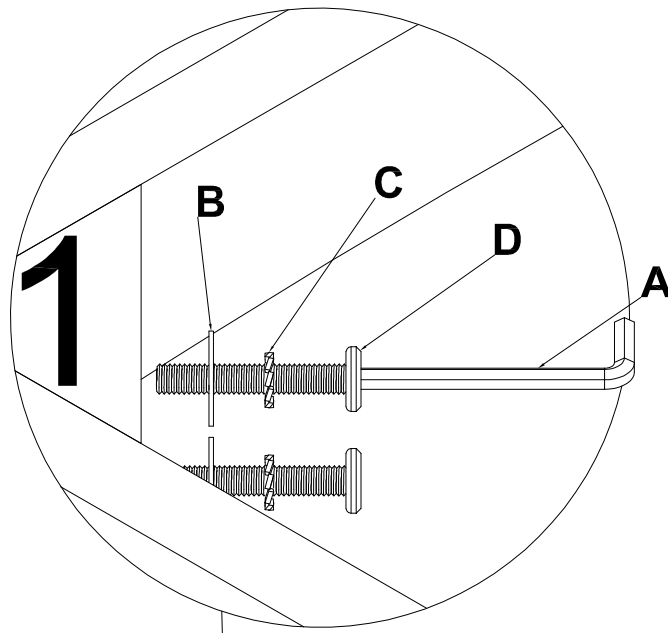
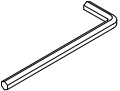
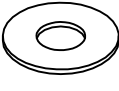


 10 MIN		
--	---	---



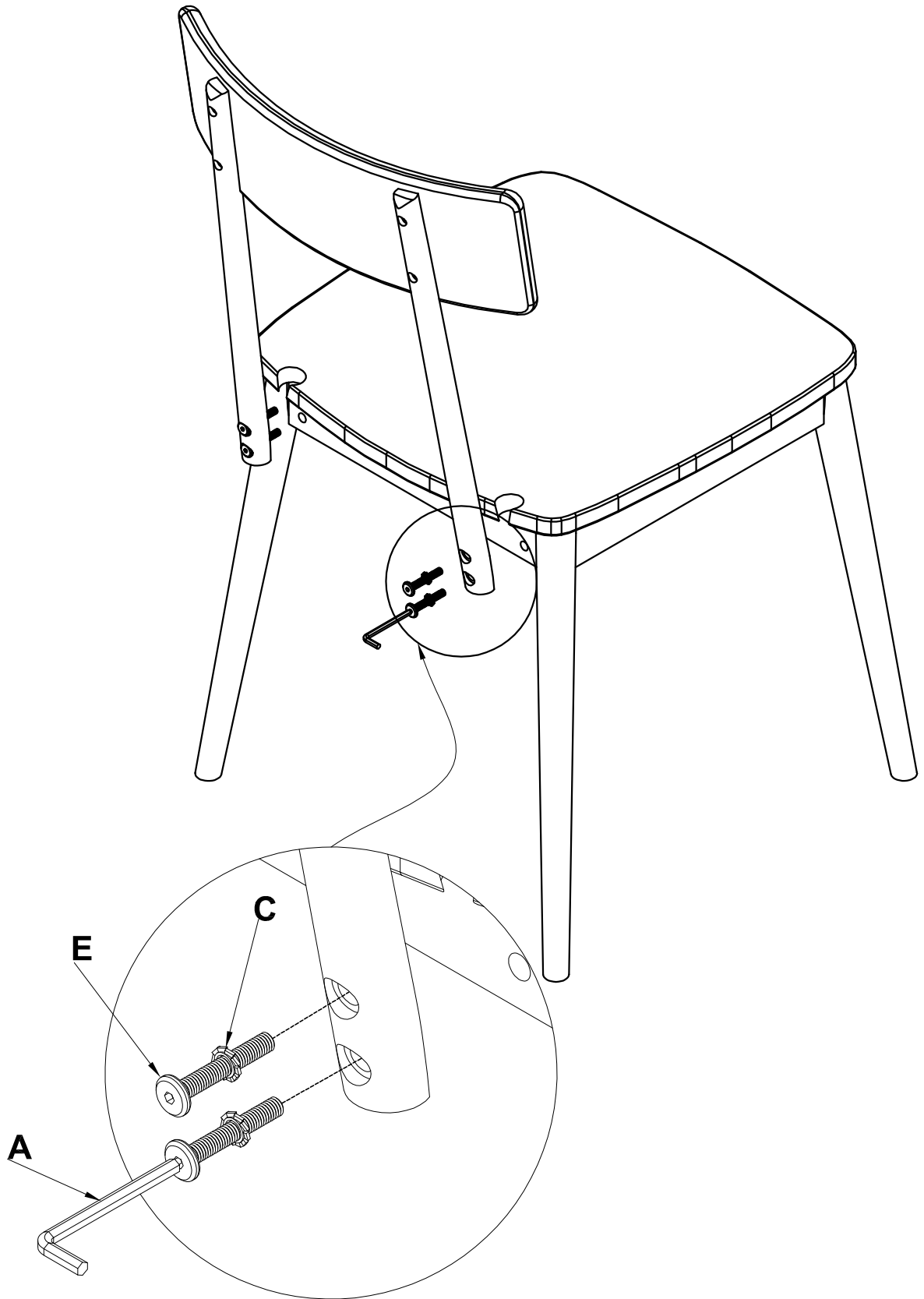
A M4  X1	B M6x19  X8	C M6x14  X12	D Ø6*70mm  X8	E Ø6*35mm  X4
--	---	--	---	---

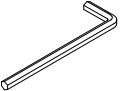


1



A M4	B M6x19	C M6x14	D Ø6*70mm
			
X1	X8	X8	X8

2



A M4  X1	C M6x14  X4	E Ø6*35mm  X4
--	---	---