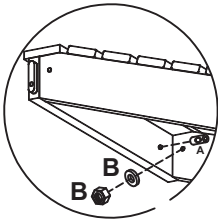
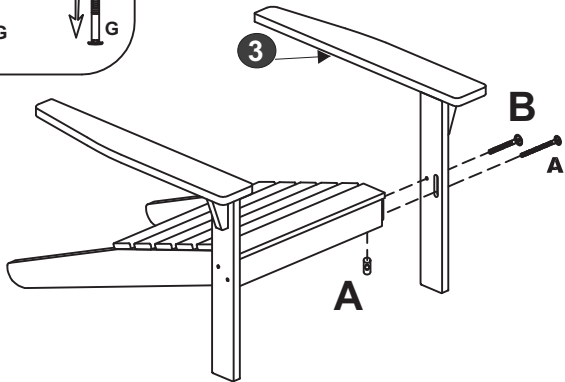
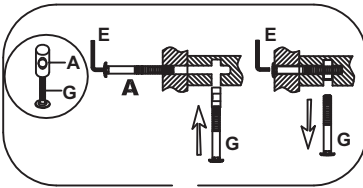
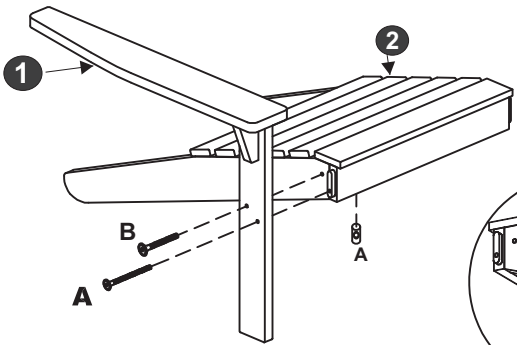


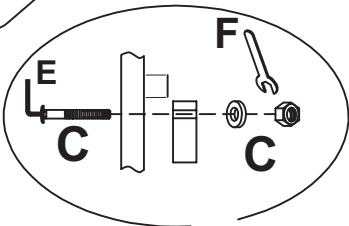
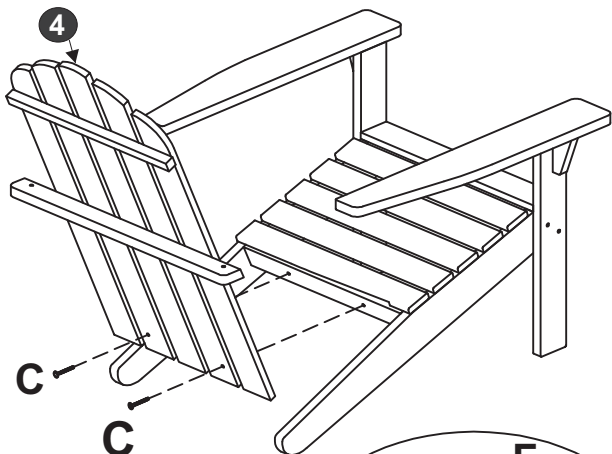
🕒 15 MIN 

1



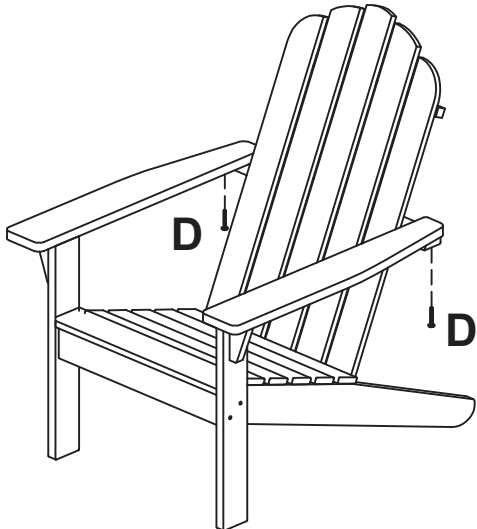
Ax2  M6x90	Bx2  M6 x 85	Gx1  M6x50	E 	F 
---	--	--	---	---


2

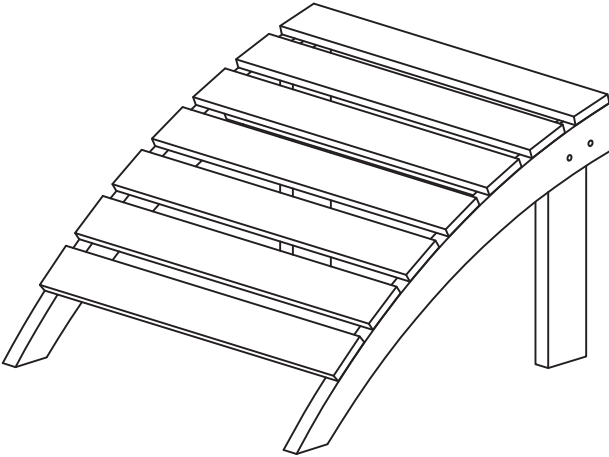


Cx2  M6 x 50	E 	F 
--	---	---

3

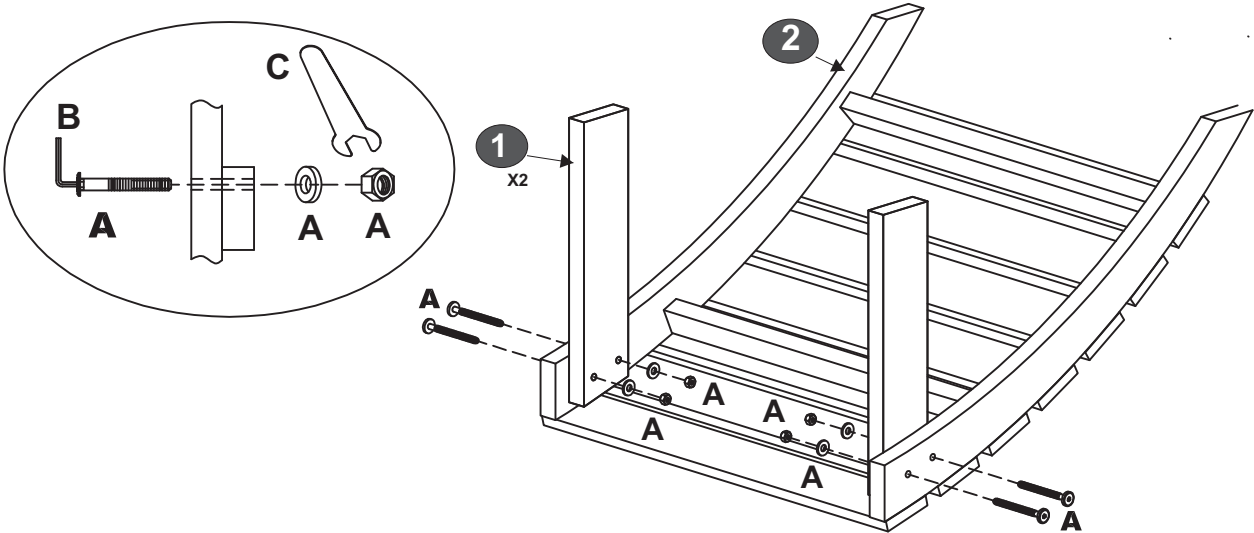


Dx2  M6x35	E 
--	--



15 MIN	
--------	--

1



<p>Ax4</p> <p>M6 x 50</p>	<p>B</p>	<p>C</p>
----------------------------------	-----------------	-----------------