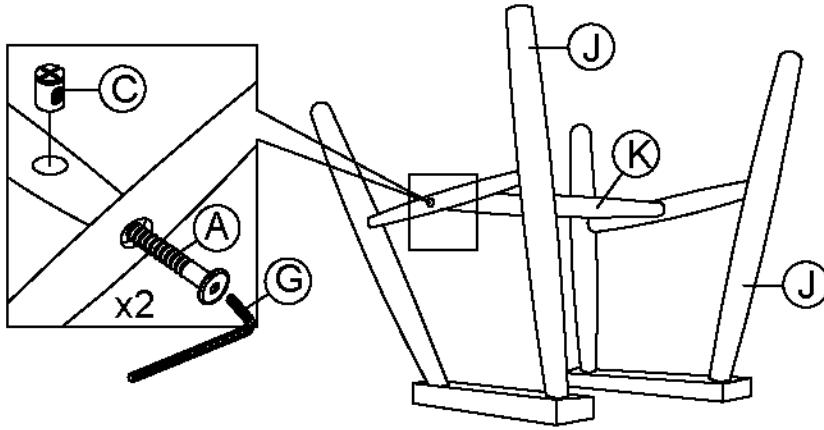





①

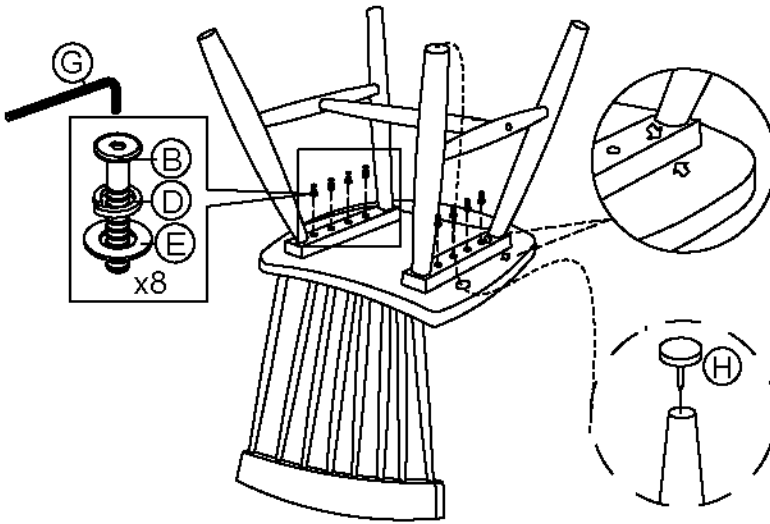



A (M6 x 45MM)	x 2
	


C	x 2
	


G	x 1
	


②



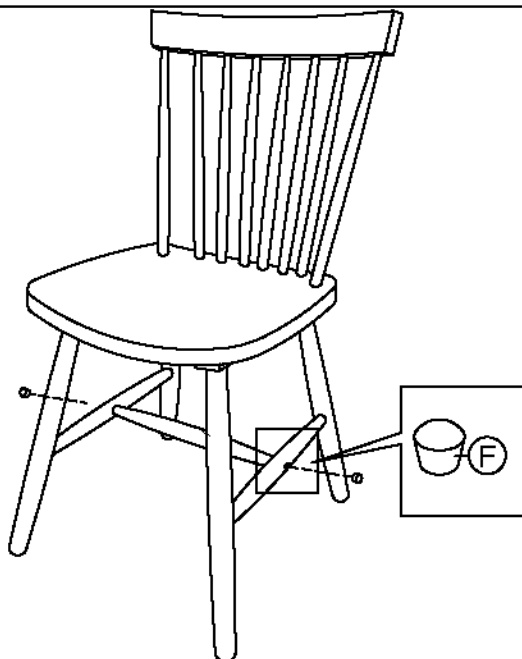
B (M6 x 30MM)	x 8
	

D	x 8
	

E	x 8
	

H	x 4
	

③



F	x 2
