

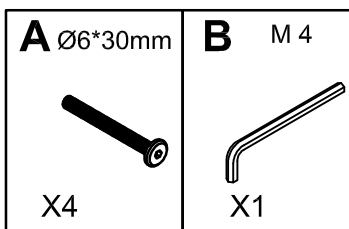
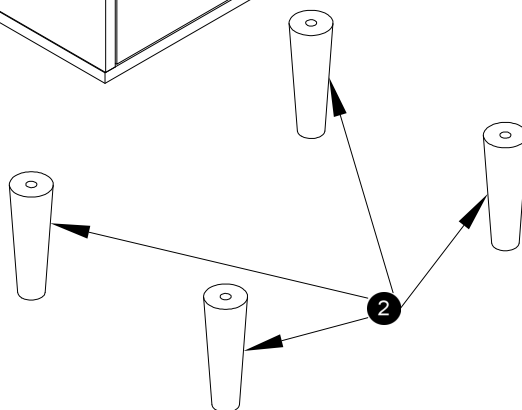
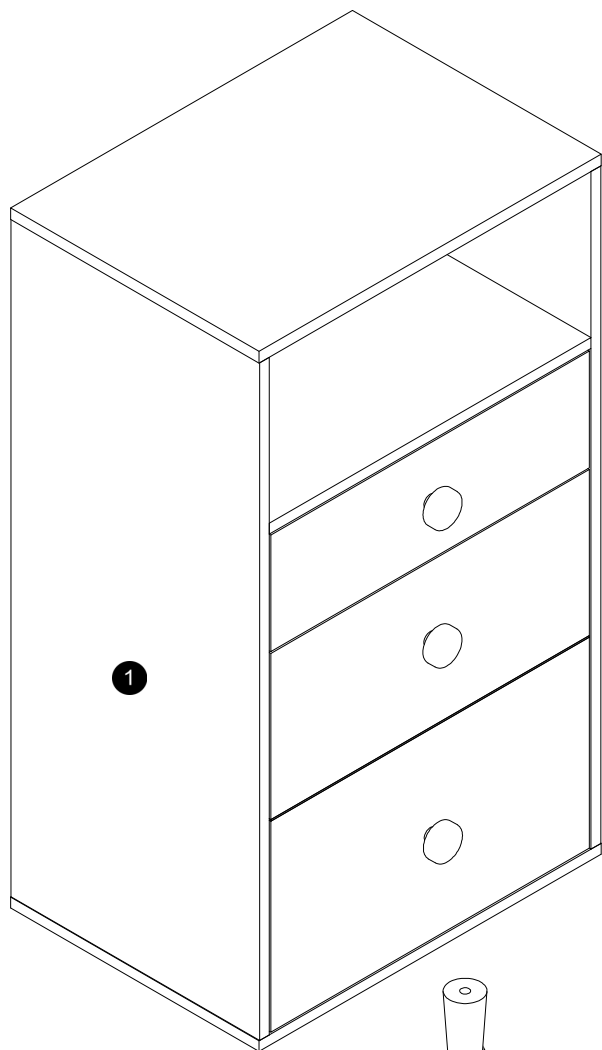
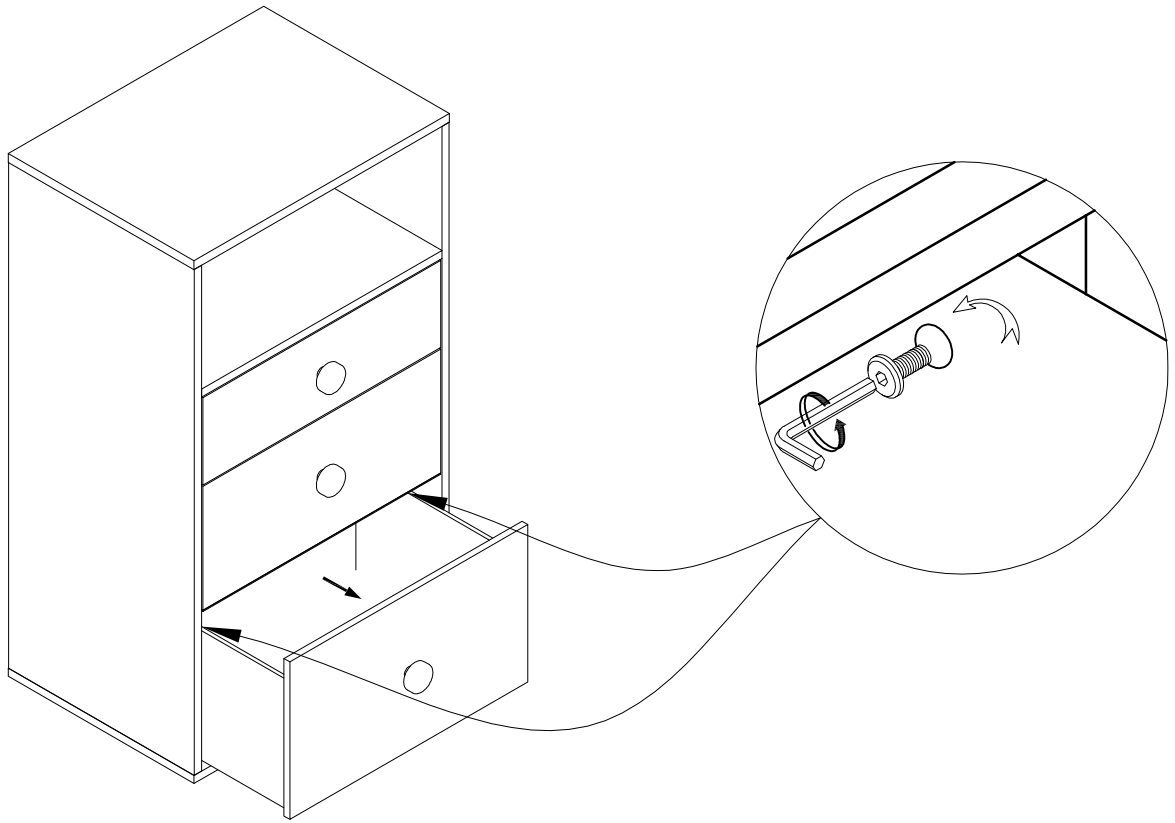
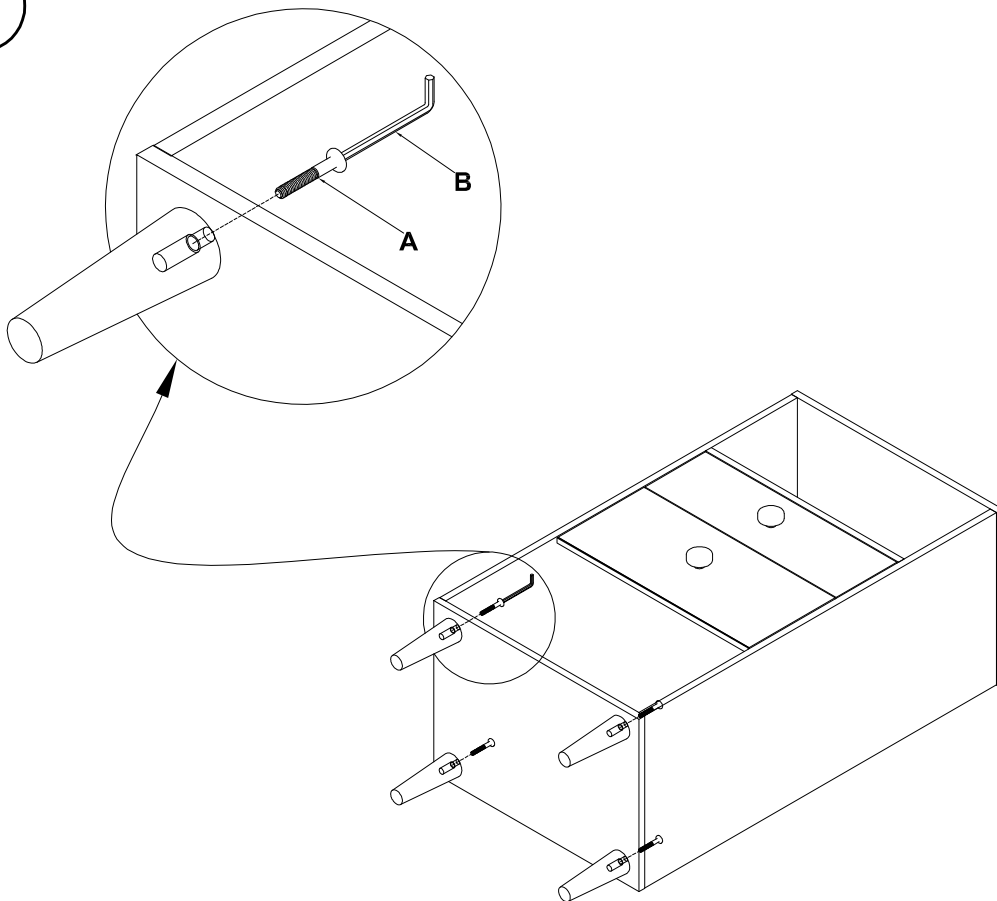
 15 MIN		
--	---	---





1



2



A Ø6*30mm	B M 4
	
X4	X1

3

